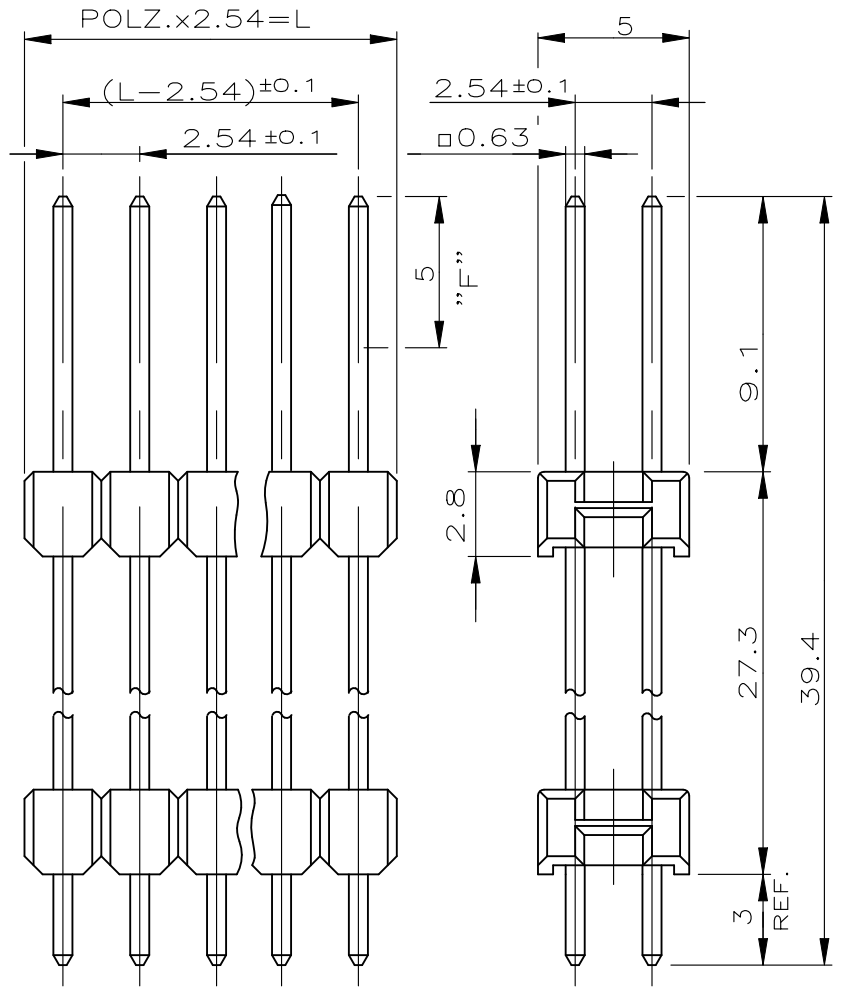


REVISIONS

P	LTR	DESCRIPTION	DATE	DWN	APVD
	A	REVISED PER ECN-23-215330	24JUL2023	RK	MF

NUMMER	829822
VERWENDET FÜR	E91-52529
WAR NR.	E91-52529

POLZ PRO REIHE	L±0.4	BESTELL-NR.
-	-	-
2	5.08	-2
3	7.62	3
4	10.16	-4
5	12.70	-5
6	15.24	-6
7	17.78	829 822 7
8	20.32	-8
9	22.86	-9
10	25.40	1-0
11	27.94	1-1
12	30.48	1-2
13	33.02	1-3
14	35.56	1-4
15	38.10	1-5
16	40.64	1-6
17	43.18	1-7
18	45.72	1-8
19	48.26	1-9
20	50.80	2-0
21	53.34	2-1
22	55.88	2-2
23	58.42	2-3
24	60.96	2-4
25	63.50	2-5
26	66.04	2-6
27	68.58	2-7
28	71.12	2-8
29	73.66	2-9
30	76.20	3-0
31	78.74	3-1
32	81.28	3-2
33	83.82	3-3
34	86.36	3-4
35	88.90	3-5
36	91.44	3-6
37	93.98	3-7
38	96.52	3-8
39	99.06	3-9
40	101.60	4-0
41	104.14	4-1
42	106.68	4-2
43	109.22	4-3
44	111.76	4-4
45	114.30	4-5
46	116.84	4-6
47	119.38	4-7
48	121.92	4-8
49	124.46	4-9
50	127.00	5-829 822 0



1 STECKSEITE: IM BEREICH "F" 0.8 μm GOLD ÜBER 1.27 μm NICKEL
 LÖTSEITE: MIN. 2.5 μm ZINN ÜBER 1.27 μm NICKEL

2 OBSOLETE PARTS: OBSOLETE CIS STREAMLINING PER D.RENAUD/D.SINISI

3 OBSOLETE

KONTAKT	Cu Sn	1
STIFTGEHÄUSE	PBTP GV	GRÜN
BENENNUNG	WERKSTOFF	OBERFLÄCHE
		FARBE

ZEICHNUNG GÜLTIG AB KW 50/94.

DIMENSIONS: mm	DWN	12.03.91	MATERIAL	-	FINISH	-
	CHK	13.03.91	TE Connectivity			
TOLERANCES UNLESS OTHERWISE SPECIFIED: ±0.2 mm	APVD	-				
	PRODUCT SPEC	-	NAME	SPEZ. AMPMODU II STIFTLISTE ZWEIREIHIG		
0 PLC ± -	APPLICATION SPEC	-	SIZE	CAGE CODE	DRAWING NO	RESTRICTED TO
1 PLC ± -		-	A4	00779	C-829822	-
2 PLC ± -	WEIGHT	-	CUSTOMER DRAWING			
3 PLC ± -		-	SCALE	4:1	SHEET	1 OF 1
4 PLC ± -						A
ANGLES ± *						

TE Connectivity. All Rights Reserved.

©