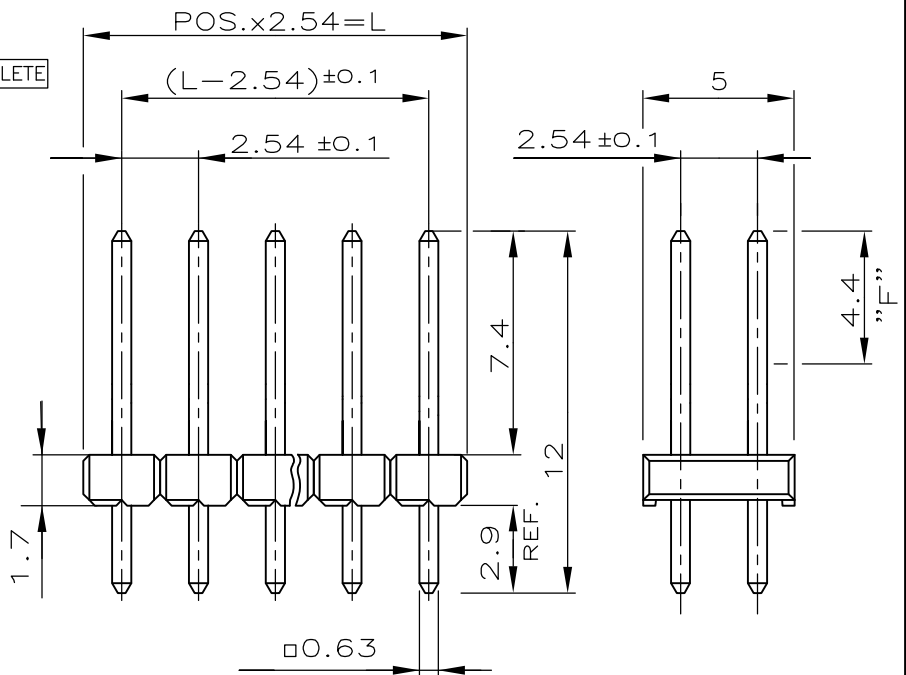


LOC	DIST	REVISIONS					
—	—	P	LTR	DESCRIPTION	DATE	DWN	APVD
		C		CONTACT PIN MATERIAL AND PLATING CHANGE	14JUL2014	KJK	JK

NICHT VERMASSTE KANTEN SIND NICHTBMASTÄBLICH

POS. PER ROW	L±0.4	PART NUMBER
—	—	—
2	5.08	-2
3	7.62	-3
4	10.16	-4
5	12.70	-5
6	15.24	-6
7	17.78	-7
8	20.32	-8
9	22.86	-9
10	25.40	<del>1- 829 626 -0</del> OBSOLETE $\triangle 2$
11	27.94	1-
12	30.48	1-
13	33.02	1-
14	35.56	1-
15	38.10	<del>1- 829 626 -5</del> OBSOLETE
16	40.64	1-
17	43.18	1-
18	45.72	1-
19	48.26	1-
20	50.80	2- 829 626 -0
21	53.34	2-
22	55.88	2-
23	58.42	2-
24	60.96	2-
25	63.50	2- 829 626 -5
26	66.04	2-
27	68.58	2-
28	71.12	2-
29	73.66	2-
30	76.20	3-
31	78.74	3-
32	81.28	3-
33	83.82	3-
34	86.36	3-
35	88.90	3-
36	91.44	3-
37	93.98	3-
38	96.52	3-
39	99.06	3-
40	101.60	4-
41	104.14	4-
42	106.68	4-
43	109.22	4-
44	111.76	4-
45	114.30	4-
46	116.84	4-
47	119.38	4-
48	121.92	4-
49	124.46	4-
50	127.00	5-

CONTACT PIN	CuZn	$\triangle 1$
PIN HOUSING	PBT	GREEN
DESCRIPTION	MATERIAL	FINISH COLOR



NOTES:


- $\triangle 1$  MATING SIDE: MIN.  $0.7\mu m$  PdNi + MIN.  $0.1\mu m$  GOLD FLASH BY AREA "F" OVER  $1.27\mu m$  NICKEL  
SOLDER SIDE: MIN.  $2.5\mu m$  TIN OVER  $1.27\mu m$  NICKEL
- $\triangle 2$  OBSOLETE PARTS: OBSOLETE CIS STREAMLINING PER D.RENAUD/D.SINISI

RELEASED FOR PUBLICATION

ALL RIGHTS RESERVED.

By -  
COPYRIGHT -

THIS DRAWING IS UNPUBLISHED.

DIMENSIONS: mm	DWN	19.06.90	MATERIAL	SEE TABLE	FINISH	SEE TABLE
	CHK	19.06.90	 TE Connectivity			
TOLERANCES UNLESS OTHERWISE SPECIFIED: $\pm 0.2$ mm	A.HO	M.SCHAARSCHMIDT				
0 PLC $\pm -$	APVD	-	NAME	AMPMODU II PIN HEADER, DUAL ROW		
1 PLC $\pm -$	PRODUCT SPEC	108-18012	SIZE	CAGE CODE	DRAWING NO	RESTRICTED TO
2 PLC $\pm -$	APPLICATION SPEC	-	A4	00779	C-829626	-
3 PLC $\pm -$	WEIGHT	-	CUSTOMER DRAWING			SCALE
4 PLC $\pm -$						4:1
ANGLES $\pm -$						SHEET
						1 OF 1
						REV
						C

