

THIS DRAWING IS UNPUBLISHED.

RELEASED FOR PUBLICATION

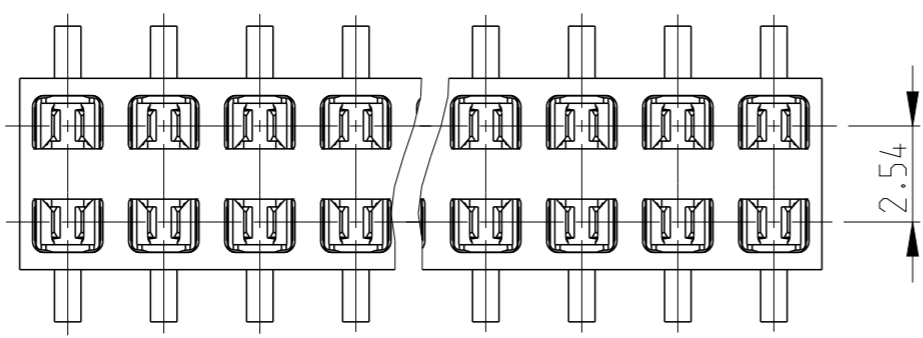
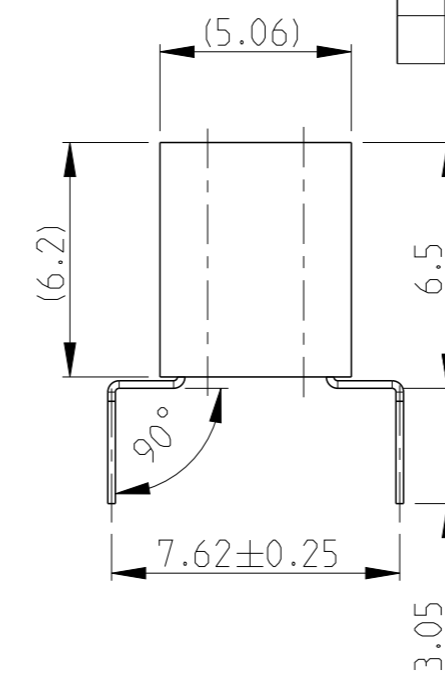
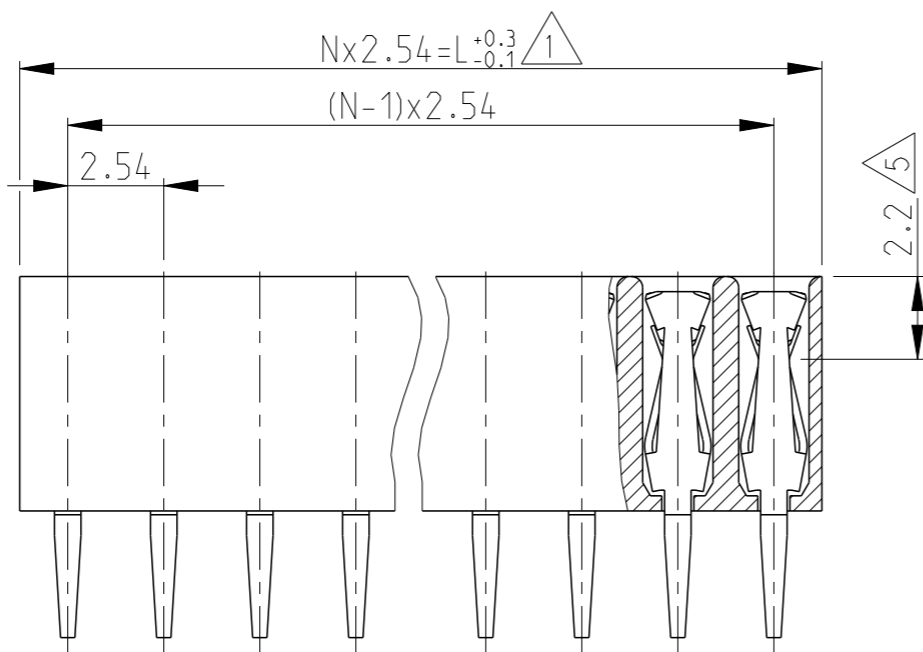
© COPYRIGHT copyright_date BY -

ALL RIGHTS RESERVED.

REVISIONS

P	LTR	DESCRIPTION	DATE	DWN	APVD
	D	PLASTIC MATERIAL SUPPLIER CHANGE	20FEB2019	KJK	PS
	E	PLASTIC MATERIAL COLOR CHANGE	15MAR2023	AJK	SPS

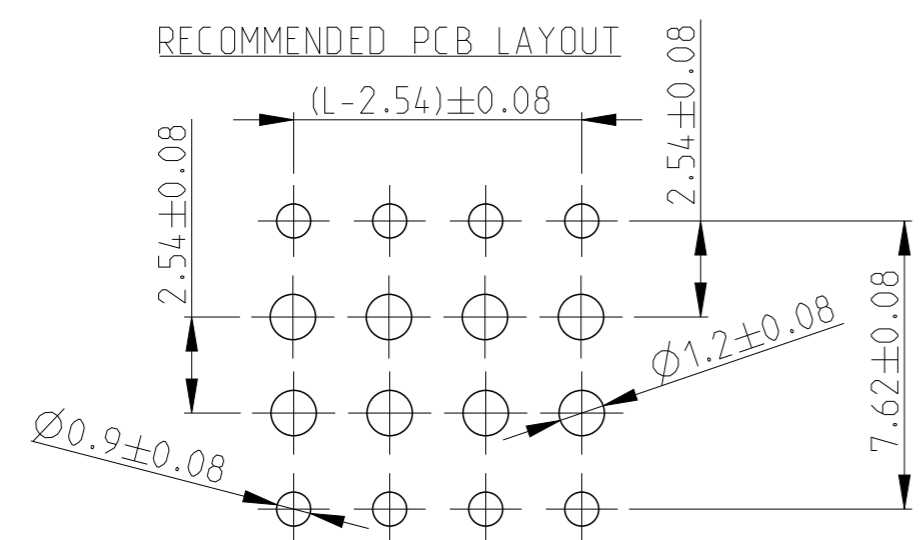
POS. PER ROW 'N'	L	PART NUMBER
2	5.08	829576 -2
3	7.62	-3
4	10.16	-4
5	12.70	-5
6	15.24	-6
7	17.78	-7
8	20.32	-8
9	22.86	-9
10	25.40	1- -0
11	27.94	4- -1
12	30.48	1- -2
13	33.02	4- -3
14	35.56	4- -4
15	38.10	1- -5
16	40.64	4- -6
17	43.18	1- -7
18	45.72	1- -8
19	48.26	1- -9
20	50.80	2- -0
21	53.34	2- -1
22	55.88	2- -2
23	58.42	2- -3
24	60.96	2- -4
25	63.50	2- -5
26	66.04	2- -6
27	68.58	2- -7
28	71.12	2- -8
29	73.66	2- -9
30	76.2	3- -0
31	78.74	3- -1
32	81.28	3- -2
33	83.82	3- -3
34	86.36	3- -4
35	88.90	3- -5
36	91.44	3- 829576 -6



NOTES:

- 1 TO DETERMINE THE DIMENSIONS TAKE 2xN= NR. OF POS. FOR EXAMPLE: 2x10 POS; Nx2.54= 25.4mm FOR ORDER NR: USE BASIC - NR. + NR. OF POS. FOR EXAMPLE: 2x2POS. = 829576-2 (SHORTEST VERSION) 2x36POS. =3-829576-6 (LONGEST VERSION)
- 2 HOUSING MATERIAL: PBT BLACK GLASS FILLED, UL94V-0 CONTACT MATERIAL: PHOSPHOR BRONZE
- 3 PLATING 2.5-4.0 µm TIN OVER 0.5 µm NICKEL
- 4 MATES WITH 0.63 SQUARE/ROUND MODU POSTS
- 5 CONTACT-POINT
- 6 RECOMMENDED PC-BOARD THICKNESS: 1.6mm
- 7 CONNECTORS PACKED IN ANTI-STATIC BLISTER TRAY
- 8 OBSOLETE PARTS:

RECOMMENDED PCB LAYOUT



THIS DRAWING IS A CONTROLLED DOCUMENT.		DWN A.HO 04MARCH1990
DIMENSIONS: mm		CHK SCHAARSCHMIDT -
TOLERANCES UNLESS OTHERWISE SPECIFIED: ±0.15mm		APVD -
0 PLC ±		PRODUCT SPEC 108-19056
1 PLC ±		APPLICATION SPEC -
2 PLC ±		WEIGHT -
3 PLC ±		FINISH SEE NOTE 3
4 PLC ±		
ANGLES ±3°		
MATERIAL SEE NOTE 2		

TE Connectivity		NAME HV100 CONNECTOR VERTICAL, 6.2mm BOTTOM/TOP ENTRY, DUAL ROW, TIN	
SIZE A3	CAGE CODE 00779	DRAWING NO C-829576	RESTRICTED TO -
CUSTOMER DRAWING		SCALE 5:1	SHEET 1 OF 1 REV E