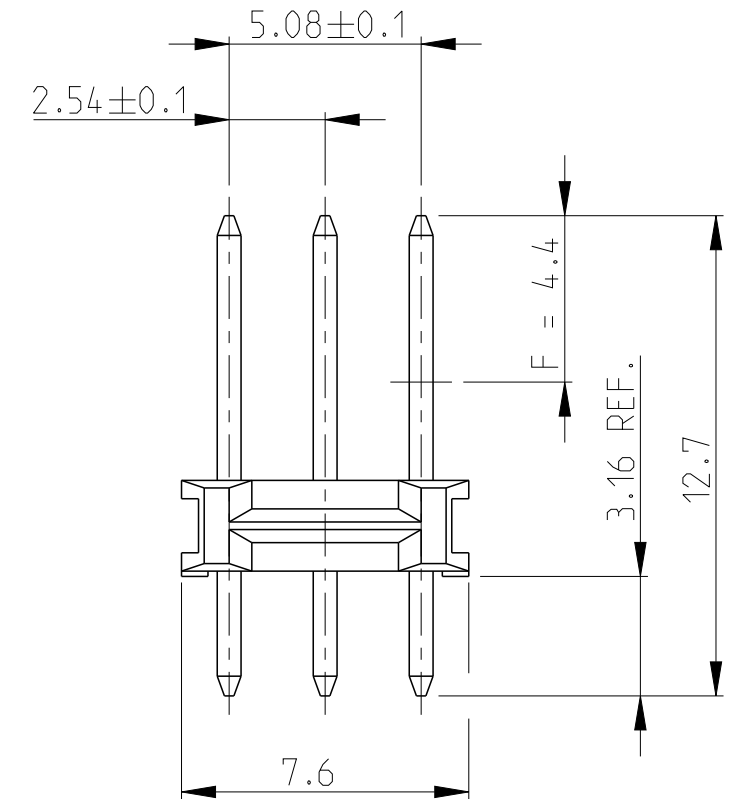
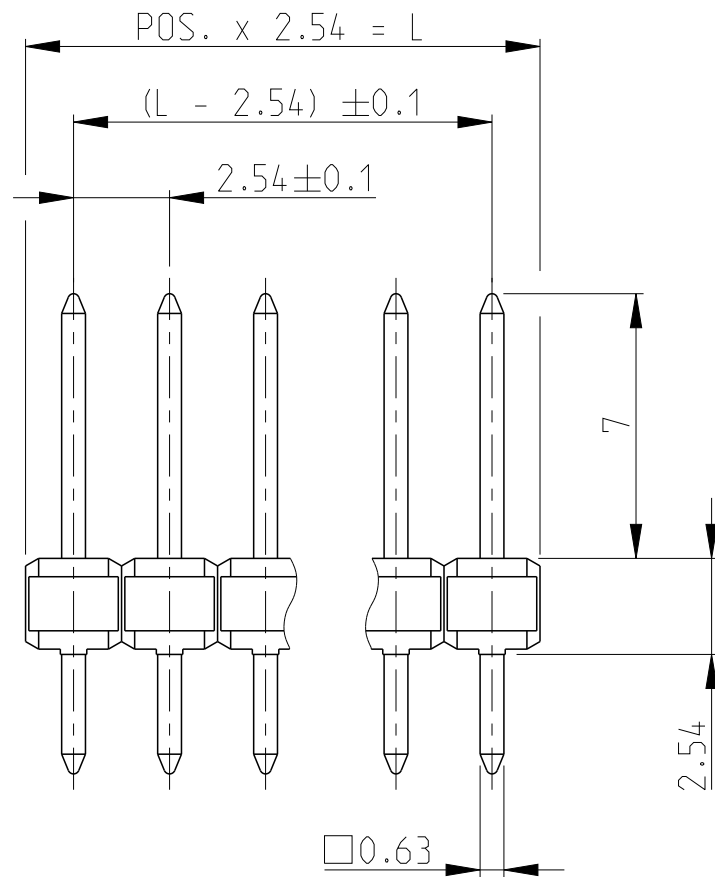


P	LTR	DESCRIPTION	DATE	DWN	APVD
C1		NOTE 1 0.76 µm PLATING UPDATE (PdNi+AuFLASH)	14 JUL 2023	BGC	PS

POS. PER ROW	L +0.3 -0.6	PART NUMBER	POS. PER ROW	L +0.3 -0.6	PART NUMBER
-	-	-	26	66.04	2-829 492-6
2	5.08	829 492-2	27	68.58	2-7
3	7.62	-3	28	71.12	2-8
4	10.16	-4	29	73.66	2-9
5	12.70	-5	30	76.20	3-0
6	15.24	-6	31	78.74	3-1
7	17.78	-7	32	81.28	3-2
8	20.32	-8	33	83.82	3-3
9	22.86	-9	34	86.36	3-4
10	25.40	-0	35	88.90	3-5
11	27.94	-1	36	91.44	3-6
12	30.48	-2	37	93.98	3-7
13	33.02	-3	38	96.52	3-8
14	35.56	-4	39	99.06	3-9
15	38.10	-5	40	101.60	4-0
16	40.64	-6	41	104.14	4-1
17	43.18	-7	42	106.68	4-2
18	45.72	-8	43	109.22	4-3
19	48.26	-9	44	111.76	4-4
20	50.80	-0	45	114.30	4-5
21	53.34	-1	46	116.84	4-6
22	55.88	-2	47	119.38	4-7
23	58.42	-3	48	121.92	4-8
24	60.96	-4	49	124.46	4-9
25	63.50	829 492-5	50	127.00	5-829 492-0

OBSOLETE

OBSOLETE



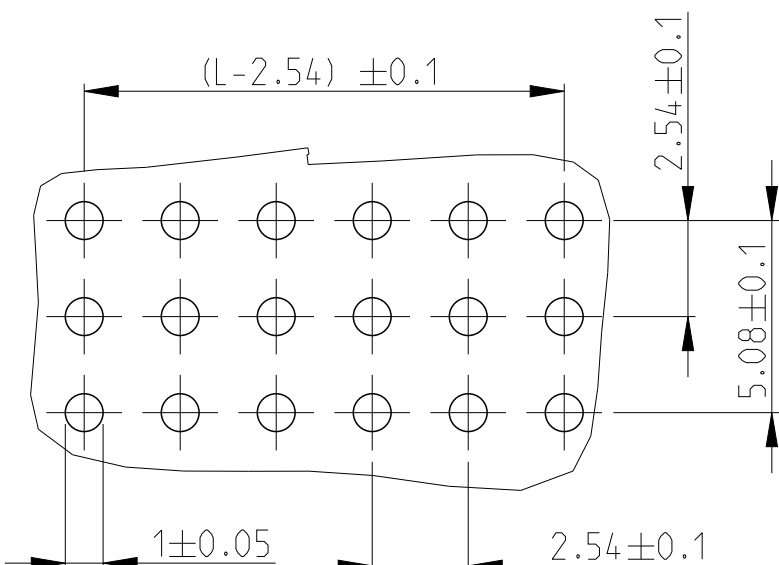
1 MATING SIDE: MIN 0.76 µm (PdNi + Au FLASH) BY AREA "F" OVER 1.27 µm NICKEL
 (Alternative plating - Min 0.76 µm Au OVER 1.27 µm Ni)

SOLDER SIDE: MIN. 3.0 µm TIN OVER 1.27 µm NICKEL

2 OBSOLETE PARTS: OBSOLETE C IS STREAMLINING PER D.RENAUD/D.SINISI

3 OBSOLETE

1	CuZn	CONTACT PIN KONTAKTSTIFT
COLOUR BLACK	PCT	PIN HOUSING STIFTGEHAEUSE
REMARK BEMERKUNG	MATERIAL	DESCRIPTION BEZEICHNUNG



PC BOARD LAYOUT
LEITERPLATTEN-
ANSCHLUSSBILD

THIS DRAWING IS A CONTROLLED DOCUMENT.		DWN F.MUELLER 06NOV1989	TE Connectivity	
DIMENSIONS: mm		CHK M.SCHAARSCHMIDT 06NOV1989		
TOLERANCES UNLESS OTHERWISE SPECIFIED: ±0.2mm		APVD -	NAME AMPMODU II PIN HEADER TRIPLE ROW	
0 PLC ±		PRODUCT SPEC 108-18012	SIZE A3	CAGE CODE 00779
1 PLC ±		APPLICATION SPEC -	DRAWING NO C-829492	RESTRICTED TO -
2 PLC ±		WEIGHT -	SCALE 5:1	SHEET 1 OF 1
3 PLC ±		CUSTOMER DRAWING	REV C1	
4 PLC ±				
ANGLES ±				
MATERIAL SEE TABLE				
FINISH SEE TABLE				