

© 2019 TE Connectivity. All Rights Reserved.

REVISIONS

POS. PER ROW 'N'	L	PART NUMBER
2	5.08	829264-2
3	7.62	-3
4	10.16	-4
5	12.70	-5
6	15.24	-6
7	17.78	-7
8	20.32	-8
9	22.86	-9
10	25.40	1--0
11	27.94	1--1
12	30.48	1--2
13	33.02	1--3
14	35.56	1--4
15	38.10	1--5
16	40.64	1--6
17	43.18	1--7
18	45.72	1--8
19	48.26	1--9
20	50.80	2--0
21	53.34	2--1
22	55.88	2--2
23	58.42	2--3
24	60.96	2--4
25	63.50	2--5
26	66.04	2--6
27	68.58	2--7
28	71.12	2--8
29	73.66	2--9
30	76.2	3--0
31	78.74	3--1
32	81.28	3--2
33	83.82	3--3
34	86.36	3--4
35	88.90	3--5
36	91.44	3--6

OBSOLETE

OBSOLETE

OBSOLETE

OBSOLETE

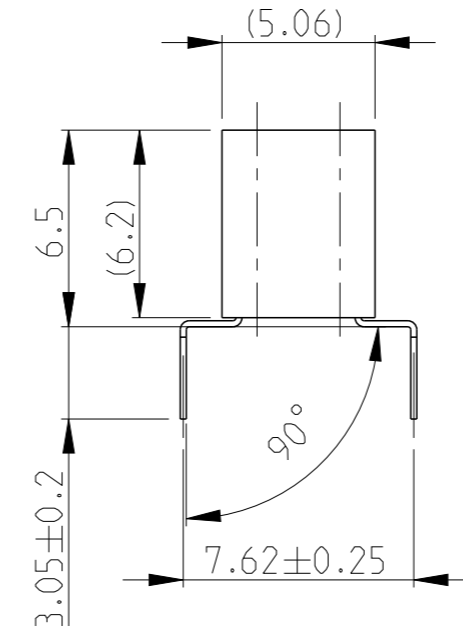
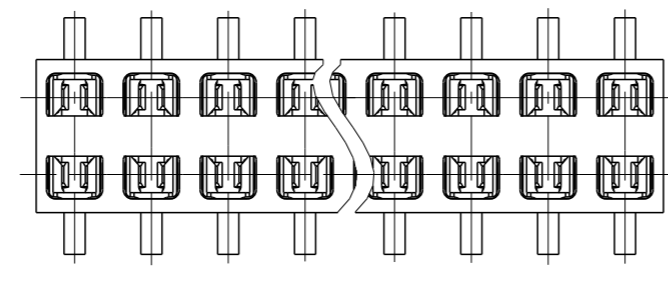
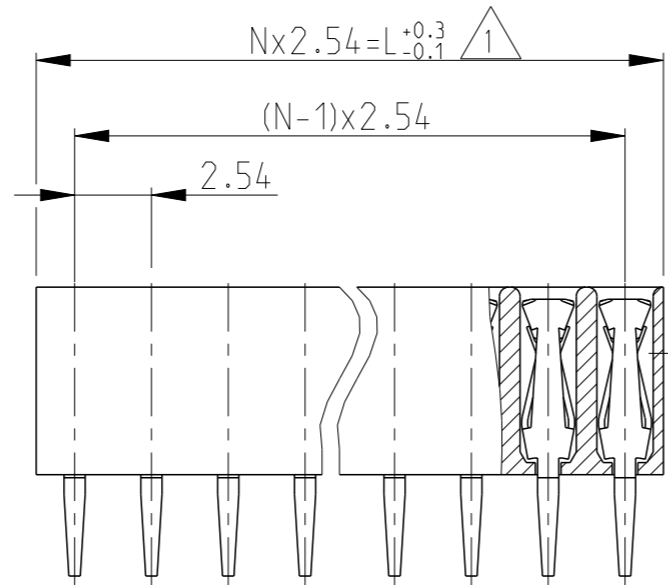
OBSOLETE

OBSOLETE

OBSOLETE

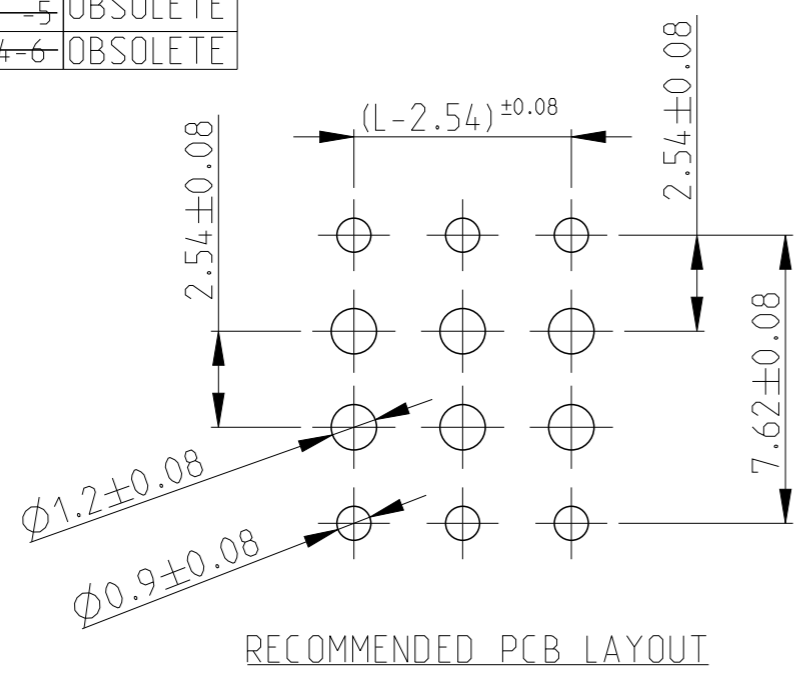
OBSOLETE

OBSOLETE

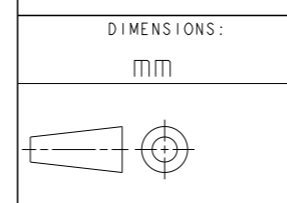


NOTES:

- 1 TO DETERMINE DIMENSIONS TAKE 2xN = NR. OF POS.  
FOR EXAMPLE: 2x10 POS; N x 2.54= 25.4mm  
FOR ORDER NO: USE BASIC - NR. + NR. OF POS.  
FOR EXAMPLE: 2x2POS. = 829264-2 (SHORTEST VERSION)  
2x36POS. =3-829264-6 (LONGEST VERSION)
- 2 HOUSING MATERIAL: PBT BLACK GLASS FILLED, UL 94V-0  
CONTACT MATERIAL: PHOSPHOR BRONZE
- 3 PLATING: UNDER COATING: 1.3 μm Ni  
AT CONT. PLACE: 0.8 μm Au  
AT SOLDER-TYNES: 3.0-5.0 μm Sn
- 4 MATES WITH 0.63 SQUARE/ROUND MODU POSTS
- 5 CONTACT POINT
- 6 RECOMMENDED PC BOARD THICKNESS: 1.6mm
- 7 HV100 CONNECTOR PACKED IN ANTI-STATIC BLISTER TRAY
- 8 OBSOLETE PARTS: OBSOLETE CIS STREAMLINING PER D.RENAUD/D.SINISI



THIS DRAWING IS A CONTROLLED DOCUMENT.



MATERIAL 2

TOLERANCES UNLESS OTHERWISE SPECIFIED:

±0.15

0 PLC ±

1 PLC ±

2 PLC ±

3 PLC ±

4 PLC ±

ANGLES ±3°

FINISH 3

DWN	A.HO	26MAY1988
CHK	M.SCHAARSCHMIDT	06DEC1990
APVD	-	-
PRODUCT SPEC	108-19056	-
APPLICATION SPEC	-	-
WEIGHT	-	-
CUSTOMER DRAWING		



NAME HV100 CONNECTOR VERTICAL, 6.2mm TOP ENTRY, DUAL ROW, GOLD

SIZE	CAGE CODE	DRAWING NO	RESTRICTED TO
A3	00779	829264	

SCALE 4:1 SHEET 1 OF 1 REV F