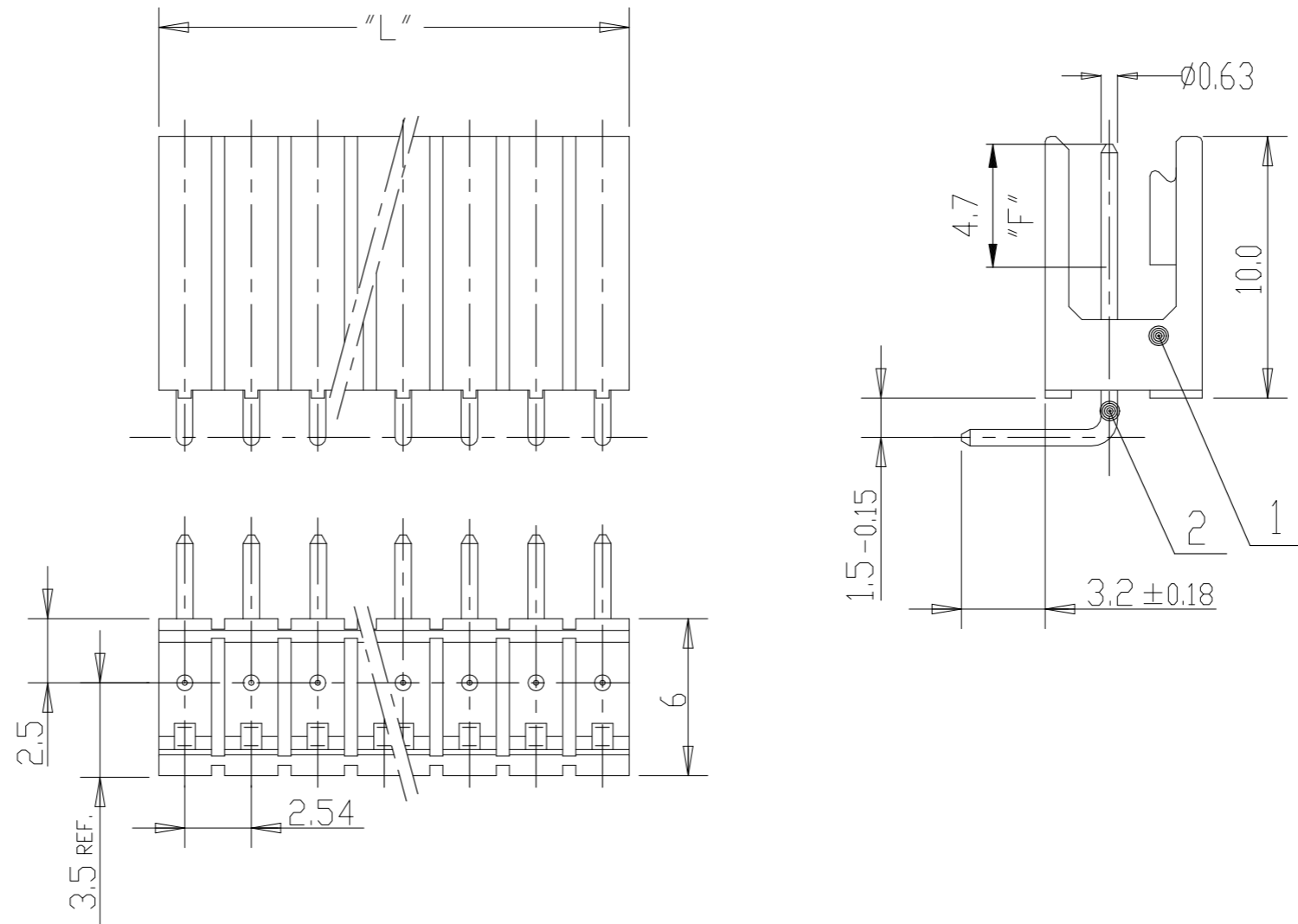


POS. "n"	L±0.4	PART NO.	
2	4.58	0-829163-2	
3	7.12	0-829163-3	
4	9.66	0-829163-4	
5	12.20	0-829163-5	
7	17.28	0-829163-7	
8	19.82	0-829163-8	
10	24.90	1-829163-0	OBSOLETE

P	LTR	DESCRIPTION	DATE	DWN	APVD
G1		NOTE 1 0.76µm PLATING UPDATE (PdNi+AuFLASH)	11JUL2023	BGC	PS



⚠ MATING SIDE: Min 0.76µm (PdNi + Au FLASH) IN ZONE "F" OVER Min 1.27µm Ni
 (Alternative plating - Min 0.76µm Au OVER Min 1.27µm Ni)
 SOLDER SIDE: MIN. 3.0µm Sn OVER Min 1.27µm Ni

2	CONTACT PIN	CuZn	⚠
1	PIN HOUSING	PA 4/6	BLACK
			PLATING COLOR

USED FOR E-87-9401	THIS DRAWING IS A CONTROLLED DOCUMENT.	DWN A.HO 21MAR1988	TE Connectivity		
		CHK SCHAARSCHMIDT 21MAR1988			
DIMENSIONS: mm	TOLERANCES UNLESS OTHERWISE SPECIFIED: ±0.2mm	APVD -	NAME AMPMODU II PIN HEADER 90 DEG, SINGLE ROW		
	0 PLC ± - 1 PLC ± - 2 PLC ± - 3 PLC ± - 4 PLC ± - ANGLES ± -	PRODUCT SPEC 108-18012	SIZE A3	CAGE CODE 00779	DRAWING NO C-829163
MATERIAL SEE TABLE	FINISH SEE TABLE	APPLICATION SPEC -	RESTRICTED TO -		
		WEIGHT -	SCALE 4:1	SHEET 1 OF 1	REV G1
CUSTOMER DRAWING					