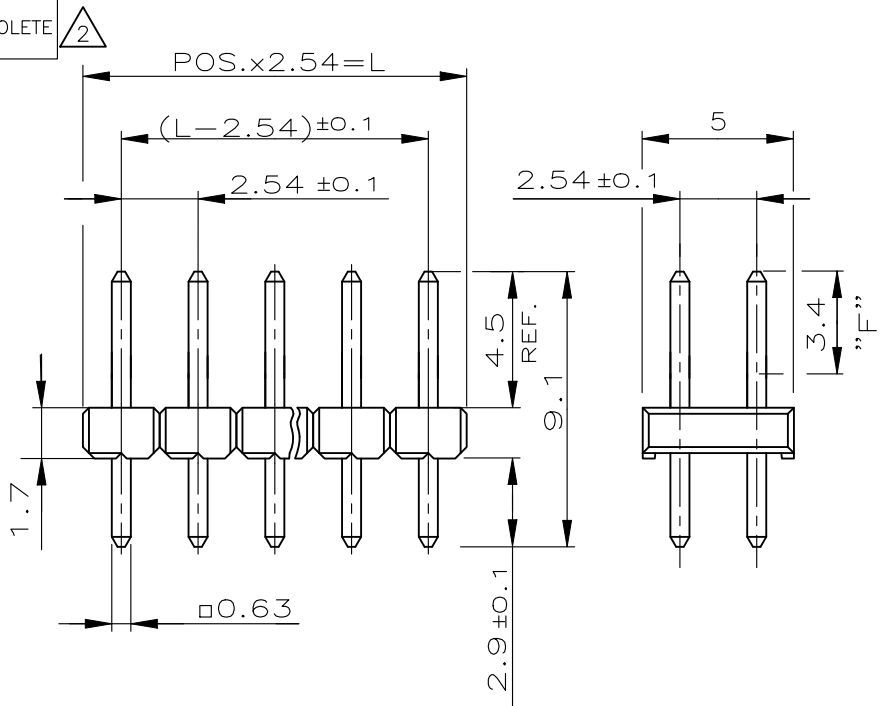


REVISIONS

P	LTR	DESCRIPTION	DATE	DWN	APVD
	C2	NOTE 1 0.76µm PLATING UPDATE (PdNi+AuFLASH)	13JUL2023	BGC	PS

PARTS PER ROW	L±0.4	ORDER NO.
-	-	-
2	5.08	829114 -2
3	7.62	-3
4	10.16	-4
5	12.70	-5
6	15.24	-6
7	17.78	-7
8	20.32	-8
9	22.86	-9
10	25.40	1- -0
11	27.94	1- -1
12	30.48	1- -2
13	33.02	1- -3
14	35.56	1- -4
15	38.10	1- -5
16	40.64	1- -6
17	43.18	1- -7
18	45.72	1- -8
19	48.26	1- -9
20	50.80	2- -0
21	53.34	2- -1
22	55.88	2- -2
23	58.42	2- -3
24	60.96	2- -4
25	63.50	2- -5
26	66.04	2- -6
27	68.58	2- -7
28	71.12	2- -8
29	73.66	2- -9
30	76.20	3- -0
31	78.74	3- -1
32	81.28	3- -2
33	83.82	3- -3
34	86.36	3- -4
35	88.90	3- -5
36	91.44	3- -6
37	93.98	3- -7
38	96.52	3- -8
39	99.06	3- -9
40	101.60	4- -0
41	104.14	4- -1
42	106.68	4- -2
43	109.22	4- -3
44	111.76	4- -4
45	114.30	4- -5
46	116.84	4- -6
47	119.38	4- -7
48	121.92	4- -8
49	124.46	4- -9
50	127.00	5- 829114 -0

OBSOLETE



CONTACT PIN	CuZn	1
PIN HOUSING	PBTP GV	GREEN
DESCRIPTION	MATERIAL	FINISH/COLOR

- 1 MATING SIDE: Min 0.76µm (PdNi + Au FLASH) IN ZONE "F" OVER Min 1.27µm Ni (Alternative plating - Min 0.76µm Au OVER Min 1.27µm Ni)
- PLOT PAGE: MIN. 2.5 µm TIN OVER Min 1.27 µm NICKEL
- 2 OBSOLETE PARTS: OBSOLETE CIS STREAMLINING PER D.RENAUD/D.SINISI

THIS DRAWING IS UNPUBLISHED. ALL RIGHTS RESERVED. RELEASED FOR PUBLICATION

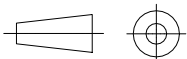
COPYRIGHT - By -

DIMENSIONS: mm

TOLERANCES UNLESS OTHERWISE SPECIFIED:

± 0.2

- 0 PLC ± -
- 1 PLC ± -
- 2 PLC ± -
- 3 PLC ± -
- 4 PLC ± -
- ANGLES ± -



DWN M.SCHAARSCHMIDT 02NOV1988

CHK W.SIMONS 25JAN1989

APVD -

PRODUCT SPEC 108-18012

APPLICATION SPEC -

WEIGHT -

MATERIAL SEE TABLE

FINISH SEE TABLE



TE Connectivity

NAME AMPMODU II STIFTLAISTE, ZWEIREIHIG

SIZE	CAGE CODE	DRAWING NO	RESTRICTED TO
A4	00779	C-829114	-

CUSTOMER DRAWING

SCALE 4:1 SHEET 1 OF 1 REV C2