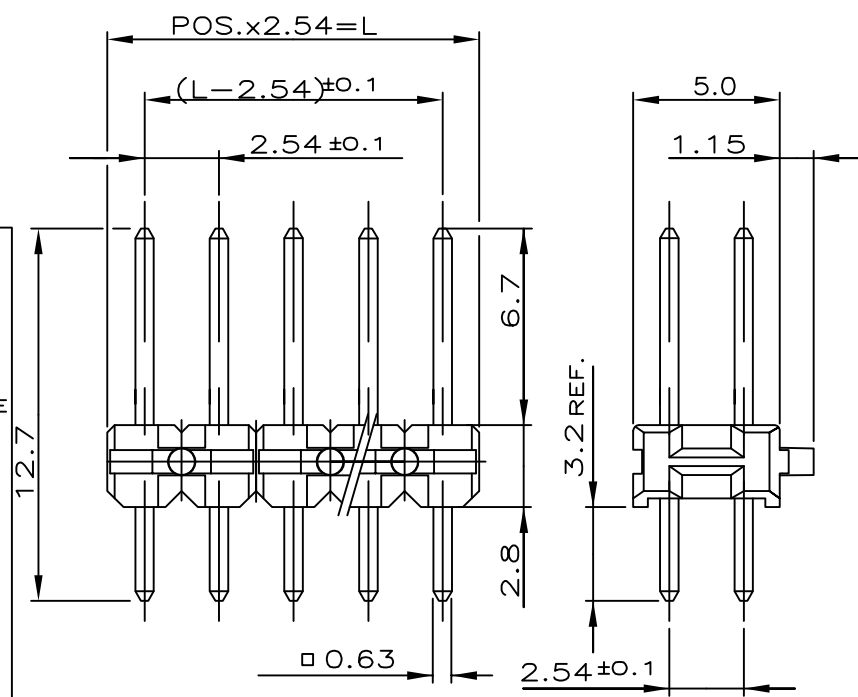


REVISIONS

P	LTR	DESCRIPTION	DATE	DWN	APVD
E		Contact pin material change from CuSn to CuZn	21SEP2017	KJK	PS

POS. PER ROW	L ±0.5	PART NUMBER
-	-	-
2	5.08	<del>2</del> <sup>3</sup>
3	7.62	<del>3</del> <sup>3</sup>
4	10.16	<del>4</del>
5	12.70	828 213 -5
6	15.24	<del>828 213 6</del> <sup>3</sup>
7	17.78	<del>7</del> <sup>3</sup>
8	20.32	<del>8</del> <sup>3</sup>
9	22.86	<del>9</del> <sup>3</sup>
10	25.40	<del>0</del> <sup>3</sup>
11	27.94	1- -1
12	30.48	1- <del>2</del> <sup>3</sup>
13	33.02	1- -3
14	35.56	1- -4
15	38.10	1- <del>5</del> <sup>3</sup>
16	40.64	1- <del>6</del> <sup>3</sup>
17	43.18	1- <del>7</del> <sup>3</sup>
18	45.72	1- -8
19	48.26	1- -9
20	50.80	2- -0
21	53.34	2- -1
22	55.88	2- -2
23	58.42	2- -3
24	60.96	2- -4
25	63.50	2- -5
26	66.04	2- -6
27	68.58	2- -7
28	71.12	2- -8
29	73.66	2- -9
30	76.20	3- 0
31	78.74	3- -1
32	81.28	3- -2
33	83.82	3- -3
34	86.36	3- -4
35	88.90	3- -5
36	91.44	3- -6
37	93.98	3- -7
38	96.52	3- -8
39	99.06	3- -9
40	101.60	4- 0
41	104.14	4- -1
42	106.68	4- -2
43	109.22	4- -3
44	111.76	4- -4
45	114.30	4- -5
46	116.84	4- -6
47	119.38	4- -7
48	121.92	4- <del>828 213 8</del>
49	124.46	4- -9
50	127.00	5- 828 213 -0



- NOTES:
- 1 MIN. 3.0µm TIN OVER 1.27µm NICKEL
  - 2 OBSOLETE PARTS: OBSOLETE CIS STREAMLINING PER D.RENAUD/D.SINISI
  - 3 OBSOLETE

CONTACT PIN	CuZn	<sup>1</sup>
PIN HOUSING	PBT	GREEN
DESCRIPTION	MATERIAL	FINISH COLOR

THIS DRAWING IS UNPUBLISHED. © COPYRIGHT - ALL RIGHTS RESERVED. RELEASED FOR PUBLICATION

DIMENSIONS: mm TOLERANCES UNLESS OTHERWISE SPECIFIED: ±0.2 mm 0 PLC ± - 1 PLC ± - 2 PLC ± - 3 PLC ± - 4 PLC ± - ANGLES ± -	DWN R.FORELL 07.01.85	MATERIAL SEE TABLE	FINISH SEE NOTE 1
	CHK M.SCHAARSCHMIDT 01.02.85	TE Connectivity NAME AMPMODU II PIN HEADER DUAL ROW SIZE A4 CAGE CODE 00779 DRAWING NO C=828213	
APVD -	PRODUCT SPEC 108-18012		
APPLIC. SPEC -	WEIGHT -	RESTRICTED TO -	
	CUSTOMER DRAWING		
SCALE 4:1		SHEET 1 OF 1	REV E