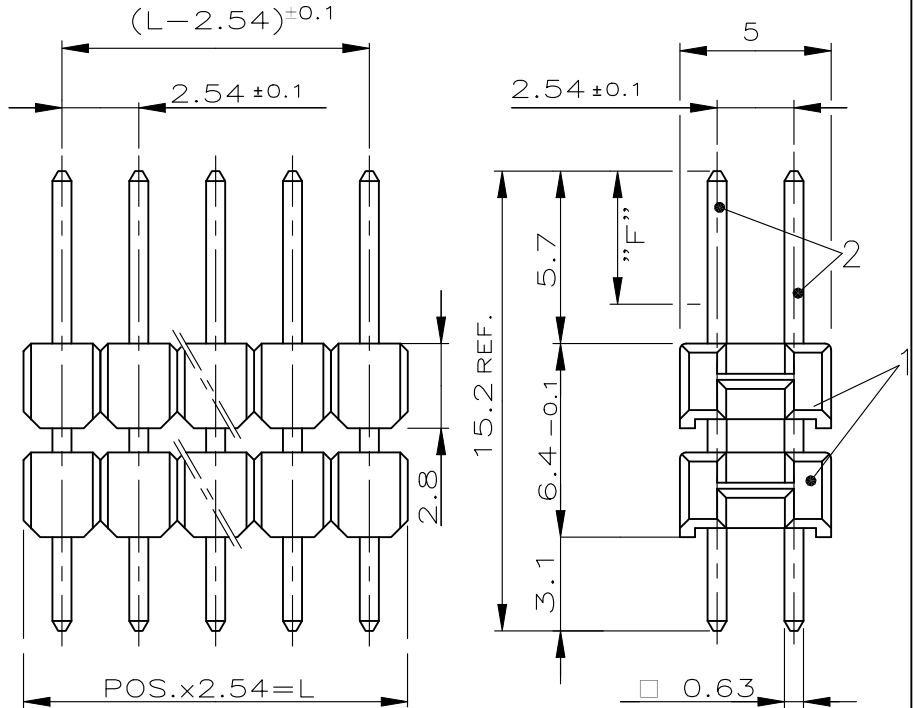


REVISIONS					
P	LTR	DESCRIPTION	DATE	DWN	APVD
	L1	NOTE 1 0.76µm PLATING UPDATE (PdNi+AuFLASH)	10JUL2023	BGC	PS

POS PER ROW	L±0.3	PART-NO.
1	2.54	△ 827857 -1
2	5.08	△ 827857 -2
3	7.62	827857 -3
4	10.16	↑ -4 △
5	12.70	-5 △
6	15.24	-6 △
7	17.78	-7 △
8	20.32	-8 △
9	22.86	-9 △
10	25.40	1- -0 △
11	27.94	1- -1 △
12	30.48	1- -2 △
13	33.02	1- -3 △
14	35.56	1- -4 △
15	38.10	1- -5 △
16	40.64	1- -6 △
17	43.18	1- -7 △
18	45.72	1- -8 △
19	48.26	1- -9 △
20	50.80	2- 827857 -0 △
21	53.34	2- -1 △
22	55.88	2- 827857 -2 △
23	58.42	2- 827857 -3 △
24	60.96	2- -4 △
25	63.50	2- 827857 -5 △
26	66.04	2- -6 △
27	68.58	2- -7 △
28	71.12	2- -8 △
29	73.66	2- -9 △
30	76.20	3- 827857 -0 △
31	78.74	3- -1 △
32	81.28	3- -2 △
33	83.82	3- -3 △
34	86.36	3- -4 △
35	88.90	3- -5 △
36	91.44	3- -6 △
37	93.98	3- -7 △
38	96.52	3- -8 △
39	99.06	3- -9 △
40	101.60	4- -0 △
41	104.14	4- -1 △
42	106.68	4- -2 △
43	109.22	4- -3 △
44	111.76	4- -4 △
45	114.30	4- -5 △
46	116.84	4- -6 △
47	119.38	4- -7 △
48	121.92	4- -8 △
49	124.46	4- -9 △
50	127.00	5- 827857 -0 △



△ MATING SIDE: Min 0.76µm (PdNi + Au FLASH) IN ZONE "F" OVER Min 1.27µm Ni
 (Alternative plating - Min 0.76µm Au OVER Min 1.27µm Ni)
 SOLDER SIDE: MIN. 2.5µm TIN OVER Min 1.27µm Ni

△ -1 SUPERSEDED BY 1-827857-8

△ -2 SUPERSEDED BY 2-827857-0

△ OBSOLETE PARTS: OBSOLETE CIS STREAMLINING PER D.RENAUD/D.SINISI

△ OBSOLETE

CONTACT PIN	△	CuZn	2
PIN HOUSING	COLOUR: GREEN	PBT	1
DESCRIPTION	REMARK	MATERIAL	ITEM NO

TE Connectivity. All Rights Reserved.

2023

©

DIMENSIONS: mm	DWN	G.Holous	17JUL1989	MATERIAL	SEE TABLE	FINISH	SEE TABLE
	CHK	M.Schaarschmidt	-				
TOLERANCES UNLESS OTHERWISE SPECIFIED: ±0.2mm	APVD	-					
	PRODUCT SPEC	108-18012		NAME	SPEC. AMPMODU II PIN HEADER, DUAL ROW		
0 PLC ± -	APPLICATION SPEC	-		SIZE	A4	CAGE CODE	00779
1 PLC ± -				DRAWING NO	C-827857		RESTRICTED TO
2 PLC ± -							-
3 PLC ± -							
4 PLC ± -							
ANGLES ± -							
	WEIGHT	-					
	CUSTOMER DRAWING			SCALE	4:1	SHEET	1 OF 1
							REV L