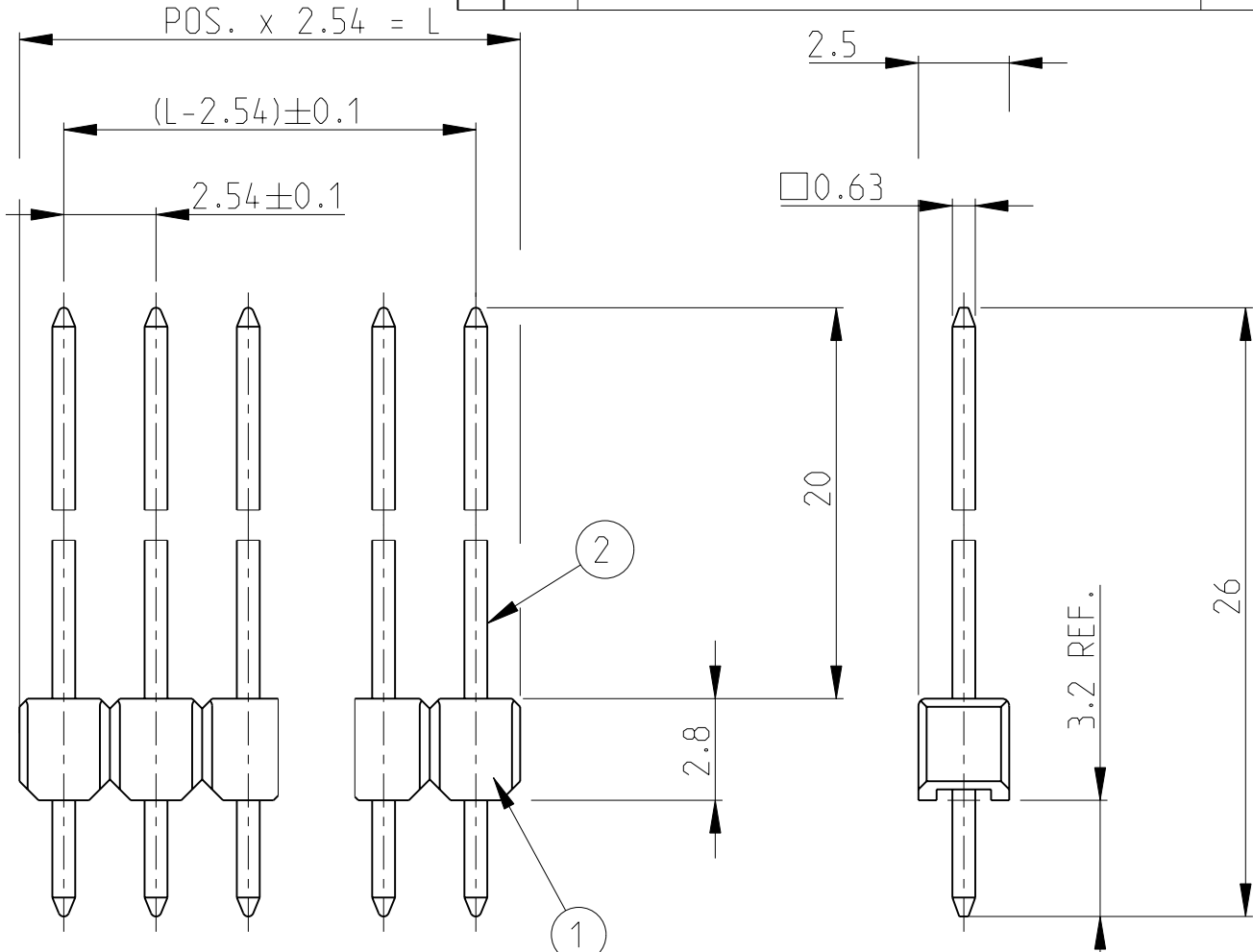


THIS DRAWING IS UNPUBLISHED. RELEASED FOR PUBLICATION 2000
 © COPYRIGHT 2000 ALL RIGHTS RESERVED.

LOC	DIST	REVISIONS			
P	LTR	DESCRIPTION	DATE	DWN	APVD
A1	-	L2	REVISED PER ECO-09-025714	16DEC09	KK AEG
		L3	REVISED PER ECR-10-025774	04MAY11	KK HMR

POS. PER ROW	L ±0.4	ORDER - NO. BESTELL - NR.	POS. PER ROW	L ±0.4	ORDER - NO. BESTELL - NR.
-	-	-	26	66.04	2-827 309-6/3
2	5.08	827 309-2/3	27	68.58	2- -7
3	7.62	↑ -3/3	28	71.12	2- ↑ -8
4	10.16	↑ -4/3	29	73.66	2- ↑ -9
5	12.70	↑ -5/3	30	76.20	3- ↑ -0
6	15.24	↑ -6/2	31	78.74	3- ↑ -1
7	17.78	↑ -7/3	32	81.28	3- ↑ -2
8	20.32	↑ -8/3	33	83.82	3- ↑ -3
9	22.86	↑ -9	34	86.36	3- ↑ -4
10	25.40	1-827 309-0/3	35	88.90	3- ↑ -5
11	27.94	1- ↑ -1/3	36	91.44	3- ↑ -6
12	30.48	1- ↑ -2	37	93.98	3- ↑ -7/3
13	33.02	1- ↑ -3/3	38	96.52	3- ↑ -8
14	35.56	1- ↑ -4	39	99.06	3- ↑ -9/3
15	38.10	1- ↑ -5/3	40	101.60	4- ↑ -0/3
16	40.64	1- ↑ -6	41	104.14	4- ↑ -1
17	43.18	1- ↑ -7	42	106.68	4- ↑ -2
18	45.72	1- ↑ -8	43	109.22	4- ↑ -3
19	48.26	1- ↑ -9	44	111.76	4- ↑ -4
20	50.80	2- ↑ -0/3	45	114.30	4- ↑ -5/3
21	53.34	2- ↑ -1	46	116.84	4- ↑ -6
22	55.88	2- ↑ -2	47	119.38	4- ↑ -7
23	58.42	2- ↑ -3	48	121.92	4- ↑ -8
24	60.96	2- ↑ -4	49	124.46	4- ↑ -9
25	63.50	2-827 309-5	50	127.00	5-827 309-0/3

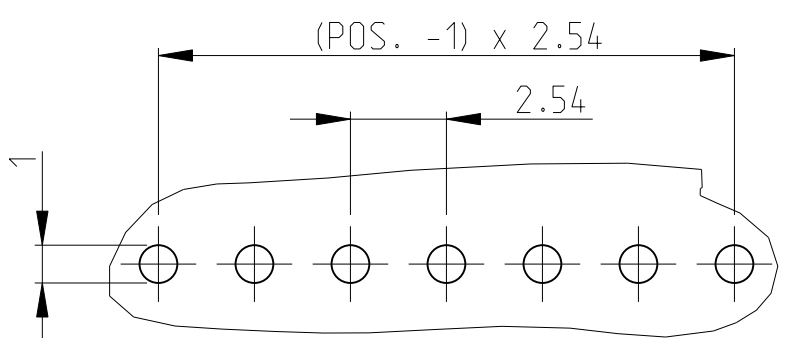


△2 OBSOLETE PARTS: OBSOLETE CIS STREAMLINING PER D.RENAUD/D.SINISI
 △3 OBSOLETE

△1	CONTACT PIN KONTAKTSTIFT	Cu Sn	2
COLOUR, GREEN	PINHOUSING STIFTGEHAEUSE	PBT GV	1
REMARK	DESCRIPTION BEZEICHNUNG	MATERIAL	ITEM LFD. NR.

△1 MIN. 2 µm TIN OVER 1.27 µm NICKEL
 MIN. 2 µm ZINN ÜBER 1.27 µm NICKEL
 (STIFTSPITZEN TEILWEISE BLANK)

PC BOARD LAYOUT
LEITERPLATTENANSCHLUSSBILD



THIS DRAWING IS A CONTROLLED DOCUMENT.		DWN 18NOV2004 G.ACKERMANN		TE Connectivity	
DIMENSIONS: mm		CHK 18NOV2004 M.SCHAARSCHMIDT			
TOLERANCES UNLESS OTHERWISE SPECIFIED:		APVD 18NOV2004 G.FELDMEIER		NAME	
0 PLC ±0.2		PRODUCT SPEC		AMPMODU II	
1 PLC ±0.2		APPLICATION SPEC		PINHEADER SINGLE ROW	
2 PLC ±0.2		WEIGHT		STIFTLAISTE EINREIHIG	
3 PLC ±		CUSTOMER DRAWING		SIZE A3	
4 PLC ±		SCALE 5:1		CAGE CODE 00779	
ANGLES ±2°		SHEET 1 OF 1		DRAWING NO. C-827309	
FINISH		REV L3		RESTRICTED TO	