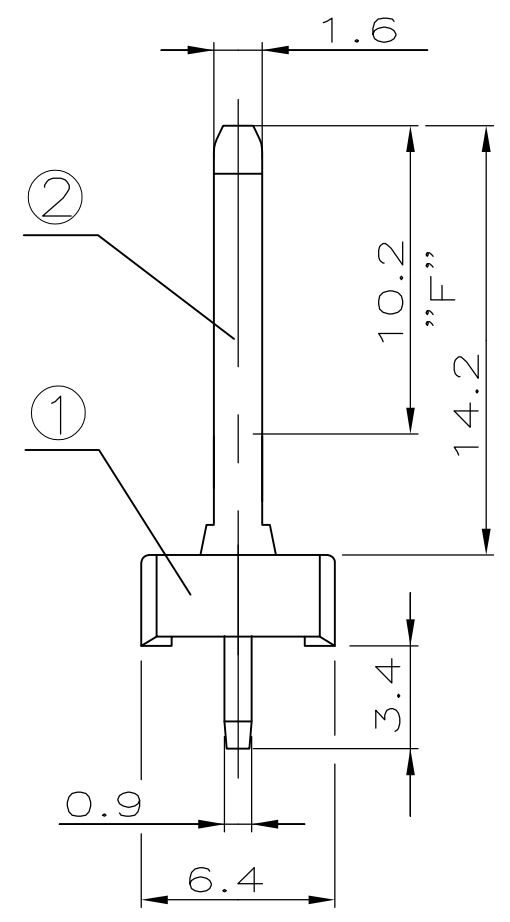
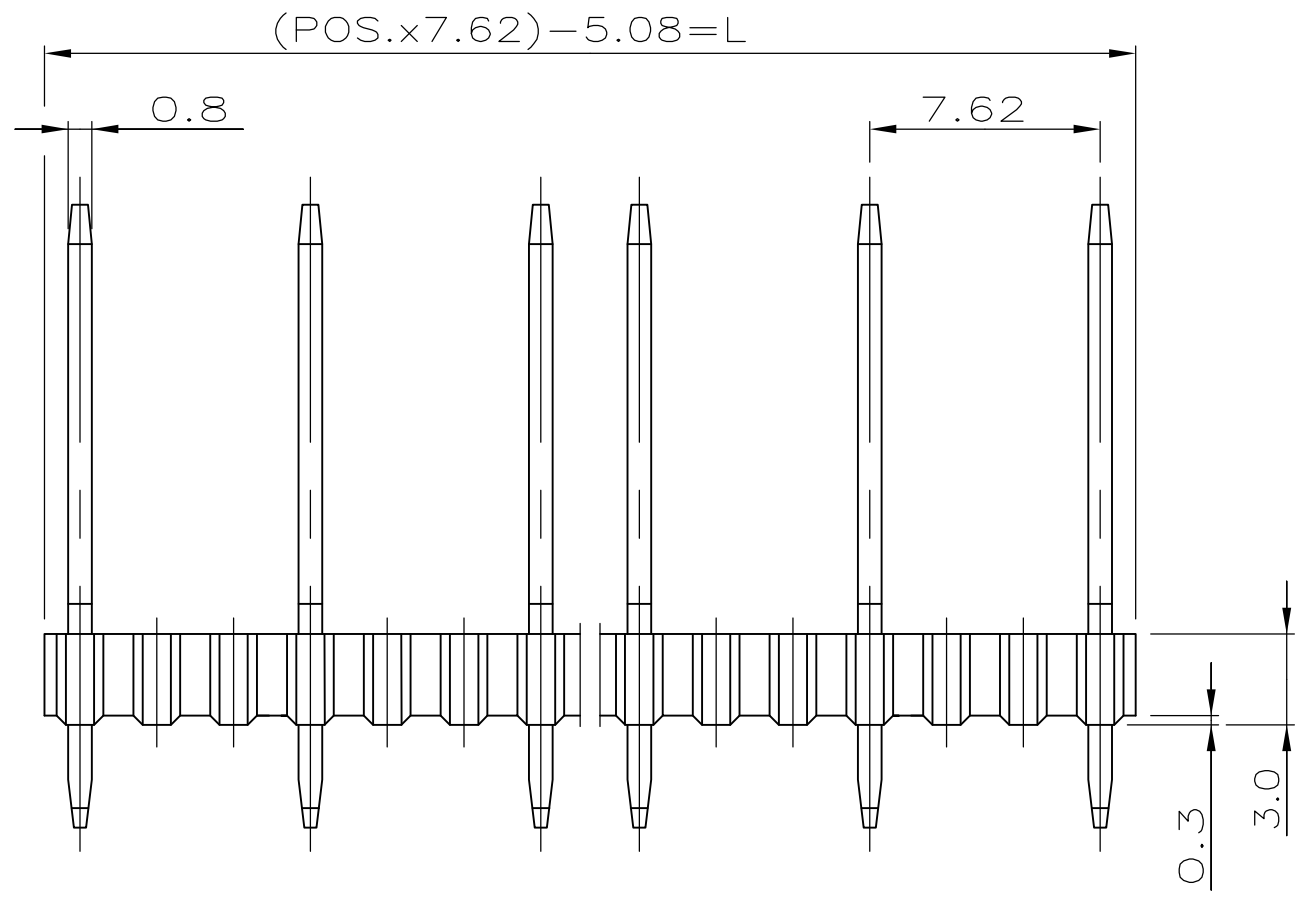


THIS DRAWING IS UNPUBLISHED. RELEASED FOR PUBLICATION
 © COPYRIGHT - By - ALL RIGHTS RESERVED.

LOC	DIST	REVISIONS			
P	LTR	DESCRIPTION	DATE	DWN	APVD
-	-	B	RESIN CHANGE FROM EXISTING PBT TO READILY AVAILABLE PBT	09OCT2015	KJK PS

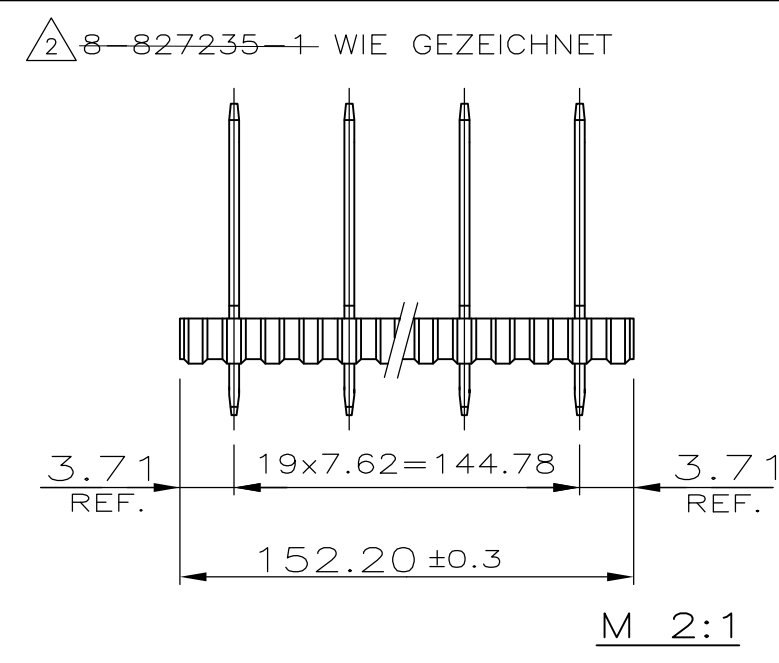
Pos.	L±0.3	PART NUMBER	
-	-	-	-
2	10.16	827-235-2	
3	17.78		△2
4	25.40		4 OBSOLETE
5	33.02		5
6	40.64		-6
7	48.26		-7
8	55.88		-8
9	63.50		-9
10	71.12	1-	0 OBSOLETE △2
11	78.74	1-	-1
12	86.36	1-	-2
13	93.98	1-	-3 OBSOLETE △2
14	101.60	1-	-4
15	109.22	1-	-5
16	116.84	1-	-6
17	124.46	1-	-7
18	132.08	1-	-8
19	139.70	1-	-9
20	147.32	2-	-0
20	152.20	8- 827-235-1	1 OBSOLETE △2



NOTES:

△1 MATING SIDE: 0.8µm GOLD BY AREA "F" OVER 1.27µm NICKEL
 SOLDER SIDE: 2.5-5µm TIN OVER 1.27µm NICKEL

△2 OBSOLETE PARTS: OBSOLETE CIS STREAMLINING PER D.RENAUD/D.SINISI



ITEM NO	DESCRIPTION	MATERIAL	COLOR/FINISH
②	CONTACT PIN	CuZn	△1
①	PIN HOUSING	PBT GV	GREEN

THIS DRAWING IS A CONTROLLED DOCUMENT.		DWN R. JAGER 18.05.81	TE Connectivity	
DIMENSIONS: mm		CHK -		
TOLERANCES UNLESS OTHERWISE SPECIFIED: ±0.2mm		APVD BOCK	NAME AMPMODU I PIN HEADER,PITCH 7.62 SINGLE ROW	
0 PLC ±-		PRODUCT SPEC -	SIZE	
1 PLC ±-		APPLICATION SPEC -	CAGE CODE	
2 PLC ±-		WEIGHT -	DRAWING NO	
3 PLC ±-		CUSTOMER DRAWING	A3 00779 C-827235	
4 PLC ±-			SCALE 4:1	SHEET 1 OF 1
ANGLES ±-				
FINISH △1				
MATERIAL SEE TABLE				