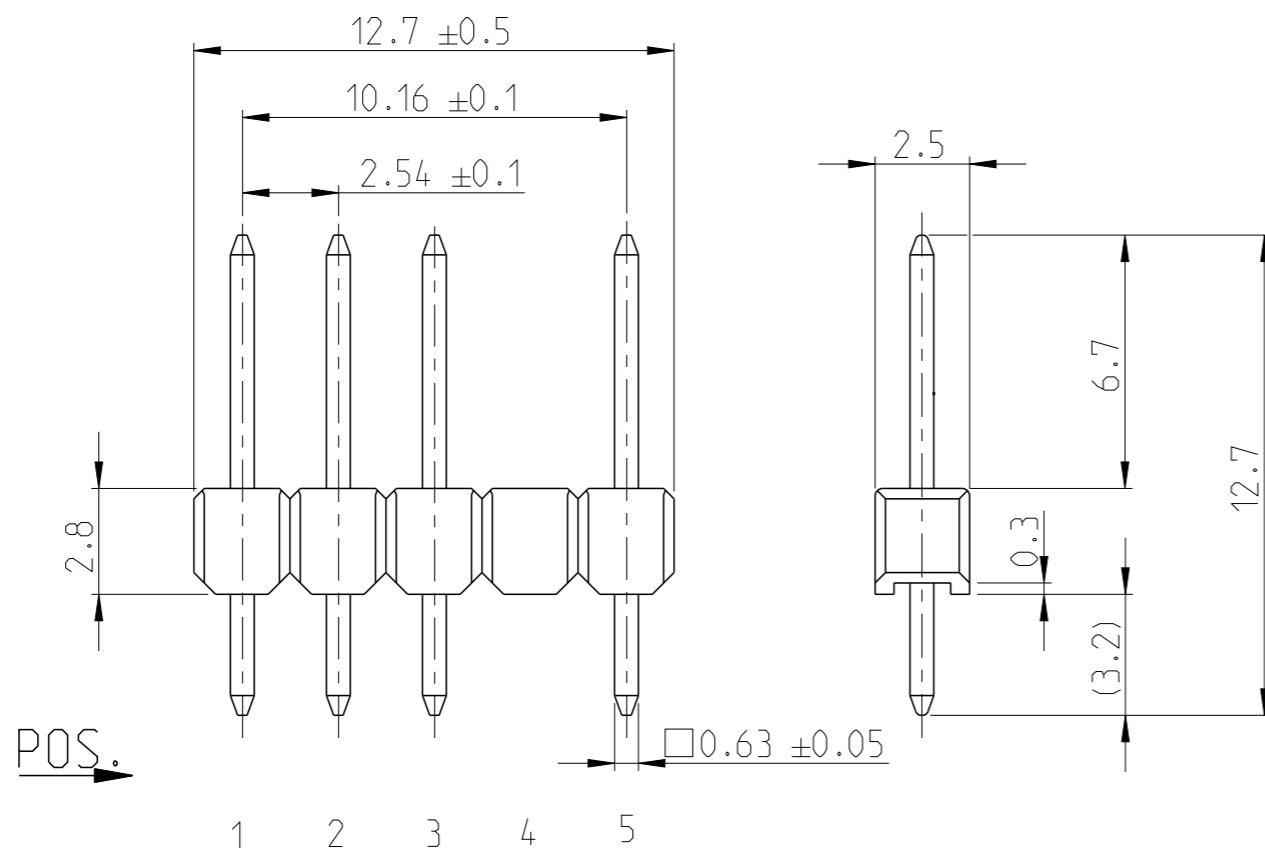


REVISIONS

PN 5-826926-5 AS SHOWN

FOR PART NUMBER 826926-2 (2 POS) to 5-826926-0 (50 POS)
REFER CUSTOMER DRAWING 826629

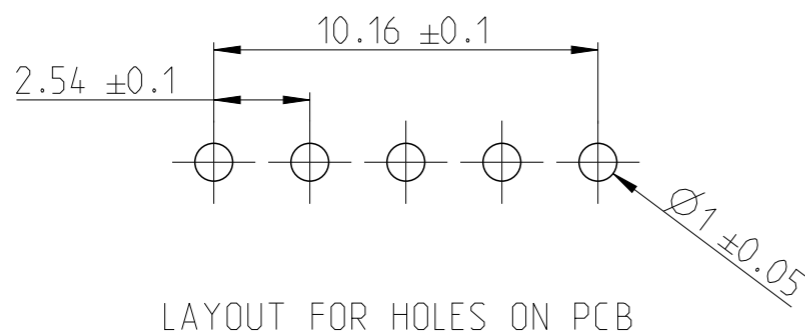
P	LTR	DESCRIPTION	DATE	DWN	APVD
	P1	INITIAL RELEASE	09NOV2020	DV	KJK



NOTES

- MATING AND SOLDER SIDE : MIN 3 μm TIN OVER 1.27 μm NICKEL
- COLOR OF HOUSING : GREEN

△ TOLERANCES NOT CUMULATIVE.



LAYOUT FOR HOLES ON PCB

CONTACT PIN	CuZn
PIN HOUSING	PBT GV
DESCRIPTION	MATERIAL

THIS DRAWING IS A CONTROLLED DOCUMENT.		DWN	09NOV2020															
DIMENSIONS: mm		CHK	11NOV2020															
TOLERANCES UNLESS OTHERWISE SPECIFIED: ±0.2mm		APVD	11NOV2020															
<table border="0"> <tr> <td>0 PLC</td> <td>±</td> <td rowspan="5">△</td> </tr> <tr> <td>1 PLC</td> <td>±</td> </tr> <tr> <td>2 PLC</td> <td>±</td> </tr> <tr> <td>3 PLC</td> <td>±</td> </tr> <tr> <td>4 PLC</td> <td>±</td> </tr> <tr> <td>ANGLES</td> <td>±</td> <td></td> </tr> </table>		0 PLC	±	△		1 PLC	±	2 PLC	±	3 PLC	±	4 PLC	±	ANGLES	±		NAME	AMP MODU II
0 PLC	±	△																
1 PLC	±																	
2 PLC	±																	
3 PLC	±																	
4 PLC	±																	
ANGLES	±																	
MATERIAL SEE TABLE		PRODUCT SPEC	108-18012		FINISH	SEE NOTES												
FINISH SEE NOTES		APPLICATION SPEC	114-25011		SIZE	A3												
-		WEIGHT	-		CAGE CODE	00779												
-		CUSTOMER DRAWING	-		DRAWING NO	G-826926												
-		SCALE	5:1		SHEET	1 OF 1												
-		REV	P1		RESTRICTED TO	-												