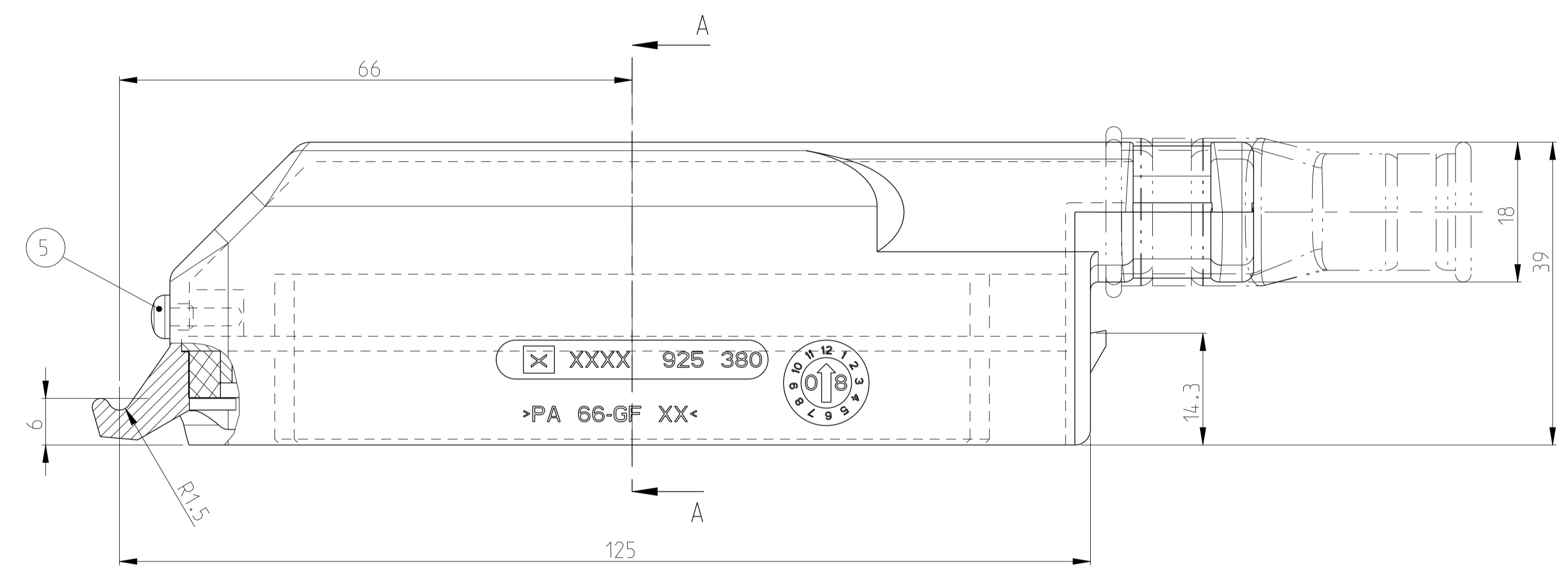
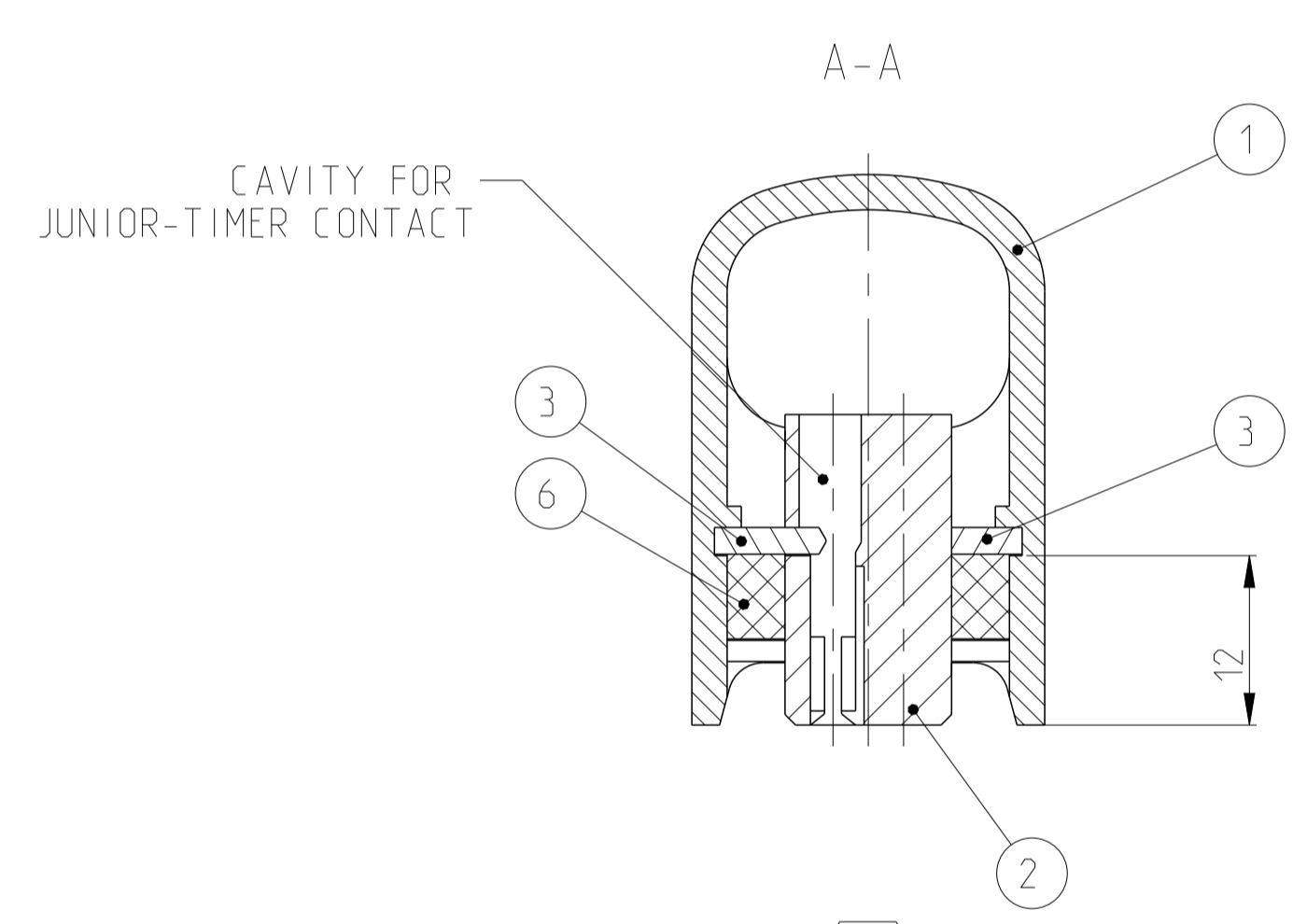
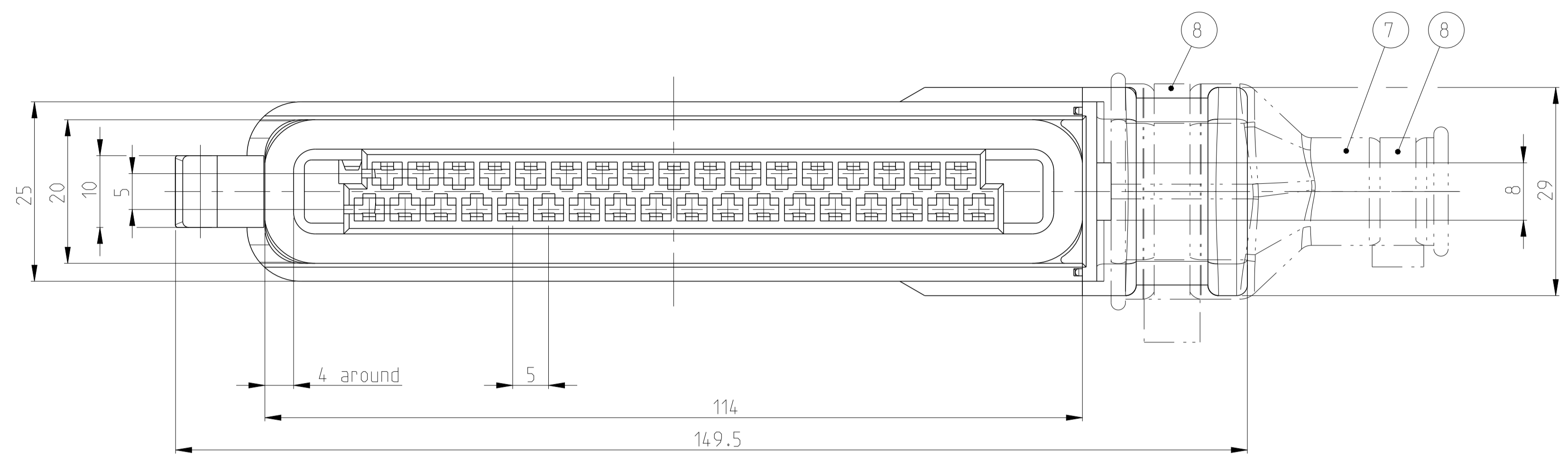


LOC	DIST	REVISIONS					
		P	LTN	DESCRIPTION	DATE	DWN	APVD
A1	-	P2		REVISED PER ECO-11-005150	31MAR2011	RK	HMR
		P3		-7 AND -6 VARIANT OBSOLETE	09JUN2017	SCK	KRAUSS



REVISION	826000-7	826000-6	826000-5	826000-4	826000-3	826000-2	826000-1						
	OBSOLETE												
	OBSOLETE												
	P3												
	ASSY - NO.												
	2x	2x		2x				4-160975-2	B	CABLE TY.	BLACK	8	
	1x	1x			1x			925311-1	A	BUSHING	BLACK	7	
	1x	1x						827201-1	B	SEALING	POLYNORBON	6	
			1x	1x				825381-2	C	SEALING	CR NATUR	6	
					1x	1x		825381-1	A	SEALING	CR BLACK	6	
	1x	1x	1x	1x	1x	1x	1x	826780-2	-	SHEET METAL SCREW	BZ 2.9x9.5 DIN7981	5	
	2x	2x	2x	2x	2x	2x	2x	928544-1	D	RETAINING LEDGE	PA 6.6 GFV30 BLACK	3	
	1x	1x	1x	1x	1x	1x	1x	925379-1	E	35POS. HOUSING	PA 6.6 GFV13 BLACK	2	
	1x	1x						925380-3	F	CONNECTOR HSG.	PA 6.6 GFV13 YELLOW	1	
			1x	1x	1x	1x	1x	925380-1	F	CONNECTOR HSG.	PA 6.6 GFV13 BLACK	1	
	QUANTITY 'X'												
	PART NUMBER												
	REV												
	NAME												
	REMARKS												
	ITEM NO.												

NOTES
 Bemerkungen

1 Bei Bestellung nach ASSY-NO. 826000- ... werden die Teile unmontiert in Mini Grip Beutel geliefert (PARTS UNASSEMBLED PACKAGED INTO MINI-GRIP-BAG IF PN 826 000-...IS ORDERED)

2 Bei Bestellung von Einzelteilen werden die Teile je nach Bestellmenge im Karton verpackt geliefert (IF SINGLE PN'S ARE ORDERED, THE PARTS PACKAGED ACC. TO THE ORDER AMOUNT IN CARTON)

THIS DRAWING IS A CONTROLLED DOCUMENT.		DWN: HaB CHK: Stredak.F. APVD: Bleicher.M.	07JUN1975 16JAN2009 19JAN2009	TE Connectivity NAME: 35POS. HOUSING FOR JUNIOR-TIMER CONTACT PRODUCT SPEC: - APPLICATION SPEC: -
DIMENSIONS: mm	TOLERANCES UNLESS OTHERWISE SPECIFIED:	SIZE: A1 CAGE CODE: 00779 DRAWING NO: C=826000 WEIGHT: - CUSTOMER DRAWING: -		
MATERIAL: SEE TABLE	FINISH: -	SCALE: 2:1 SHEET: 1 OF 1 REV: P3		RESTRICTED TO: -