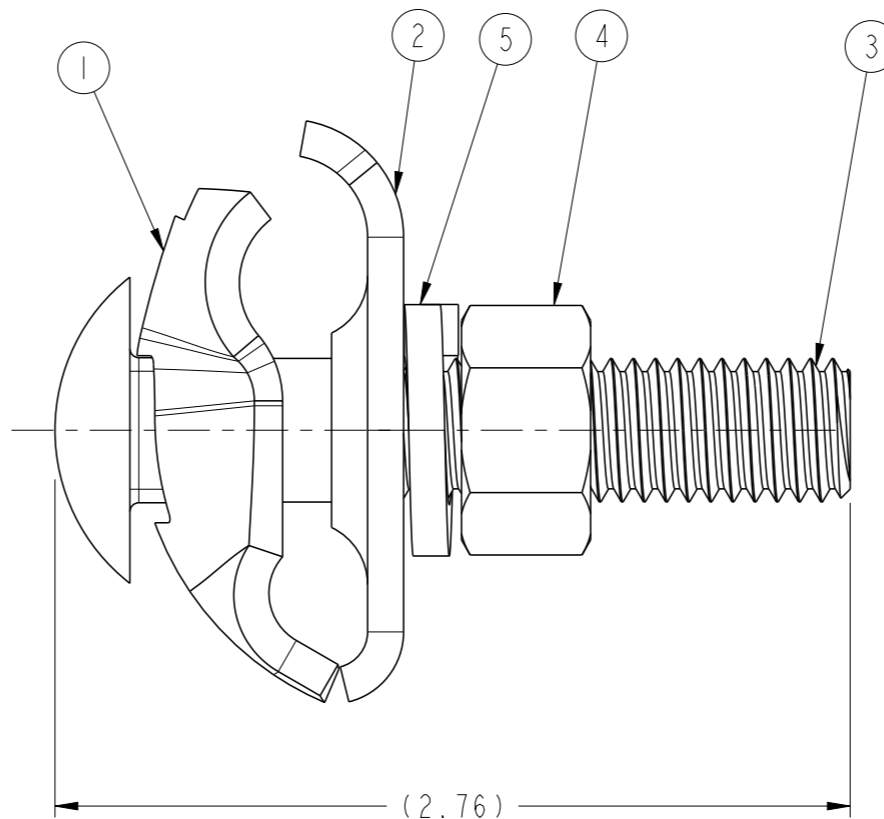
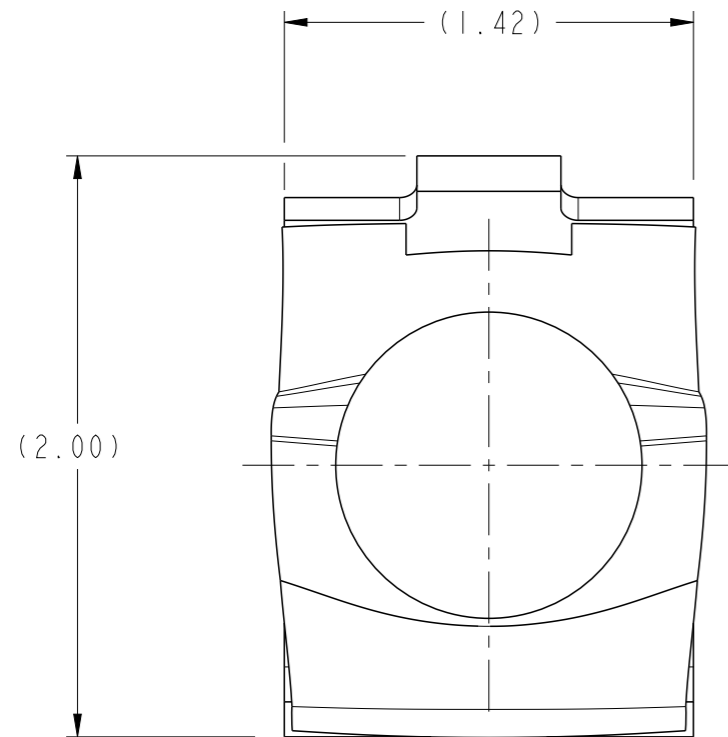


P	LTR	DESCRIPTION	DATE	DWN	APVD
	A	INITIAL RELEASE PER LC20-0070-21	21JUN2021	SM	JO



NOTES:

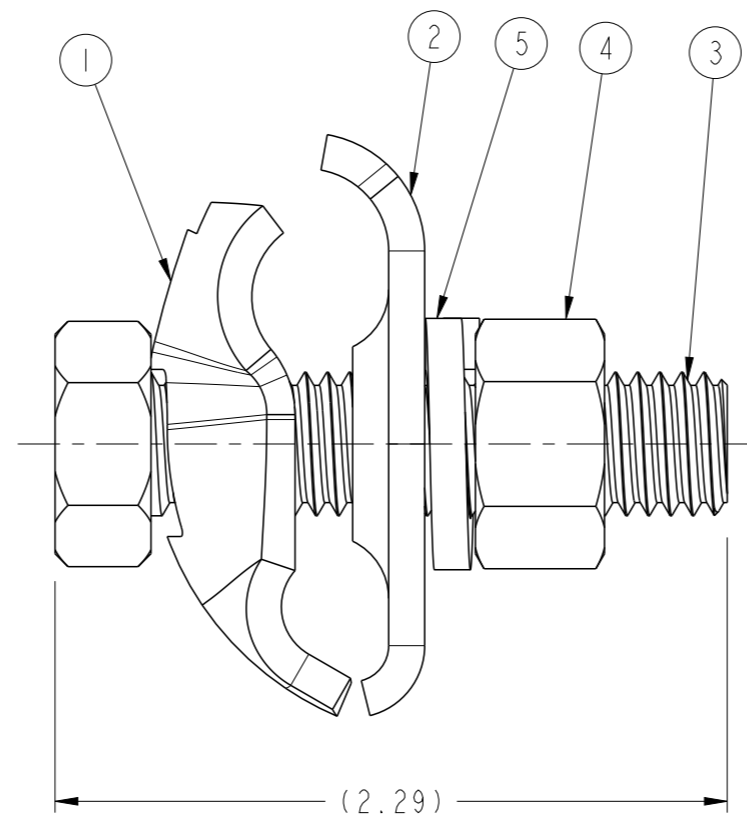
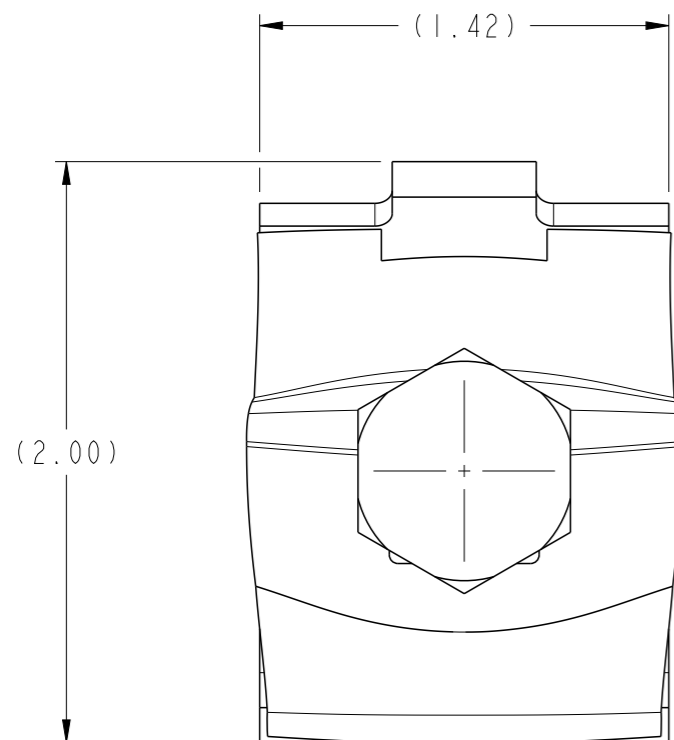
- ACCOMMODATION:
4 AWG SOLID TO 350 MCM (SINGLE CONDUCTOR)
1/0 AWG TO 4/0 AWG (TWO CONDUCTORS).
- DIMENSIONS ARE FOR REFERENCE ONLY.

SILICON BRONZE	UNPLATED	81416-1
HARDWARE	FINISH	PART NO.

QTY	DESCRIPTION	ITEM
5	LOCK WASHER GALV	
4	HEX NUT, 1/2-13 UNC, GALV. STEEL	
3	BOLT, 1/2-13 UNC, GALV. STEEL	
2	BASE STR CLMP UNPLT	
1	TOP STAMPING STR CL UNPLT	
-1	DESCRIPTION	ITEM

THIS DRAWING IS A CONTROLLED DOCUMENT.		DWN SATYA.M 21JUN2021												
DIMENSIONS: INCHES		CHK J.GUPPY 21JUN2021												
TOLERANCES UNLESS OTHERWISE SPECIFIED:		APVD J.OPEL 21JUN2021												
<table border="0"> <tr> <td>0 PLC</td> <td>±-</td> </tr> <tr> <td>1 PLC</td> <td>±-</td> </tr> <tr> <td>2 PLC</td> <td>±-</td> </tr> <tr> <td>3 PLC</td> <td>±-</td> </tr> <tr> <td>4 PLC</td> <td>±-</td> </tr> <tr> <td>ANGLES</td> <td>±-</td> </tr> </table>		0 PLC			±-	1 PLC	±-	2 PLC	±-	3 PLC	±-	4 PLC	±-	ANGLES
0 PLC	±-													
1 PLC	±-													
2 PLC	±-													
3 PLC	±-													
4 PLC	±-													
ANGLES	±-													
MATERIAL	FINISH	PRODUCT SPEC -	SIZE A3	CAGE CODE 00779	DRAWING NO C-81416	RESTRICTED TO -								
		APPLICATION SPEC -	SCALE 2:1		SHEET 1 OF 2	REV A								
		WEIGHT -	CUSTOMER DRAWING											

P	LTR	DESCRIPTION	DATE	DWN	APVD
-	-	SEE SHEET 1	-	-	-



NOTES:

- ACCOMMODATION:
4 AWG SOLID TO 350 MCM (SINGLE CONDUCTOR)
1/0 AWG TO 4/0 AWG (TWO CONDUCTORS).
- DIMENSIONS ARE FOR REFERENCE ONLY.

SILICON BRONZE	TIN PLATED	81416-6
	UNPLATED	81416-3
HARDWARE	FINISH	PART NO.

QTY	QTY	DESCRIPTION	ITEM
1	1	LOCK WASHER STR CLP	5
1	1	HEX NUT, 1/2-13 UNC, SILICON BRONZE	4
1	1	BOLT, 1/2-13 UNC, SILICON BRONZE	3
1	-	BASE STR CLMP TIN	2
-	1	BASE STR CLMP UNPLT	
1	-	TOP STAMPING STR CL TIN	1
-	1	TOP STAMPING STR CL UNPLT	
-6	-3		

THIS DRAWING IS A CONTROLLED DOCUMENT.		DWN SATYA.M 21JUN2021	TE Connectivity ASSEMBLY OF STRUCTURE GROUNDING CLAMP	
DIMENSIONS: INCHES		CHK J.GUPPY 21JUN2021		
TOLERANCES UNLESS OTHERWISE SPECIFIED: 0 PLC ±- 1 PLC ±- 2 PLC ±- 3 PLC ±- 4 PLC ±- ANGLES ±-		APVD J.OPEL 21JUN2021		
MATERIAL		PRODUCT SPEC -	NAME	
FINISH		APPLICATION SPEC -	RESTRICTED TO	
		WEIGHT -	SIZE A3	CAGE CODE 00779
			DRAWING NO. C-81416	
			SCALE 2:1	SHEET 2 OF 2
				REV A