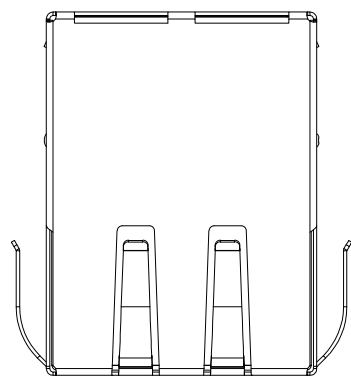
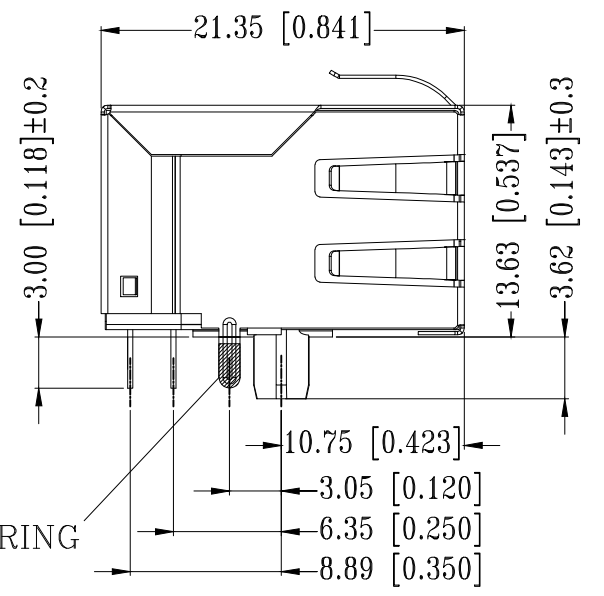
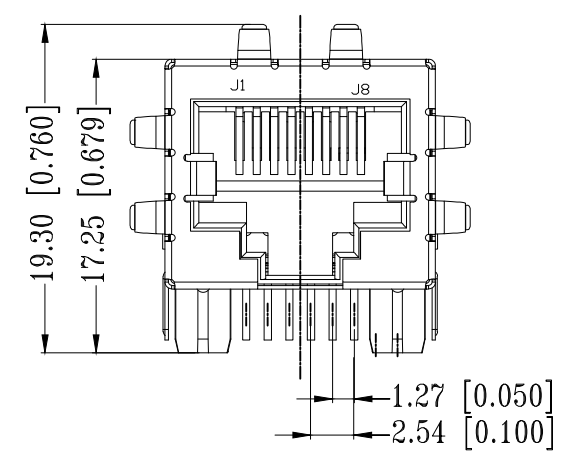
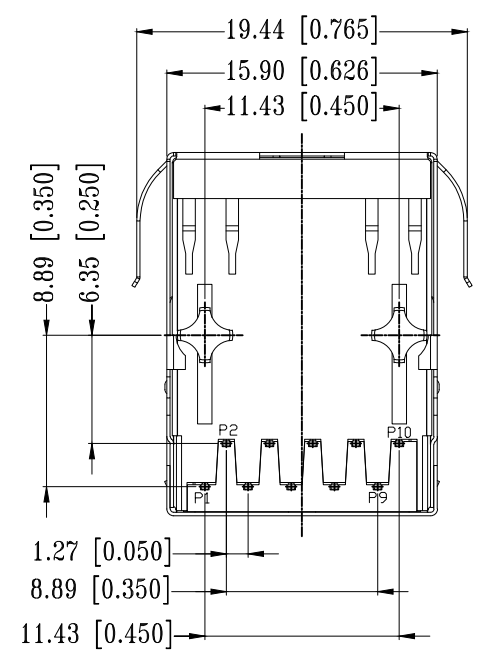


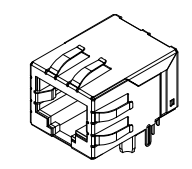
© TE Connectivity. All Rights Reserved.

REVISIONS					
P	LTR	DESCRIPTION	DATE	DWN	APVD
	A2	PRELIMINARY STAMP REMOVED	27MAR2020	SS	OW



PRE-SOLDERING

- △ CONNECTOR MATERIAL:  
HOUSING: LCP BLACK UL94 V-0  
INSERT: LCP BLACK UL94 V-0  
SHIELD: BRASS  
SHIELD PLATING: NICKEL; PCB GROUND TABS POST-DIPPED WITH MIN. 3.05µm (120µinch) SAC SOLDER
- CONTACT: COPPER ALLOY  
CONTACT PLATING: SELECTIVE GOLD, MIN. 0.76µm (30µinch) IN CONTACT AREA OVER MIN. 1.27µm (50µinch) NICKEL
- SOLDER PIN PLATING: 3.05µm (120µinch) TIN OVER 1.27µm (50µinch) NICKEL OVER ALL
- SHIELDING PIN PLATING: NICKEL
- 2 PIN NOT ELECTRICALLY CONNECTED MAYBE OMITTED SEE ELECTRICAL CIRCUIT DIAGRAM FOR OMITTED PINS
- 3 RJ45 CAVITIES CONFORM TO FCC RULES AND REGULATION PART 68
- 4 SUITABLE FOR WAVE SOLDERING. TEMPERATURE 260° C, DWELL TIME MAX. 5s FOR SOLDERING RESULTS PER IPC-A-610
- 5 OPERATING TEMPERATURE: T= -40° C TO +85° C
- 6 STORAGE TEMPERATURE: T= -40° C TO +85° C
- △ UNLESS OTHERWISE SPECIFIED, SEE TABLE FOR ALL DIMENSIONS TOLERANCES
- 8 JACK CONFIGURATION: 1 x 1  
TAB DIRECTION: DOWN
- 9 PACKAGING: TRAY ACCORDING TO PACKAGING SPECIFICATION 107-18116



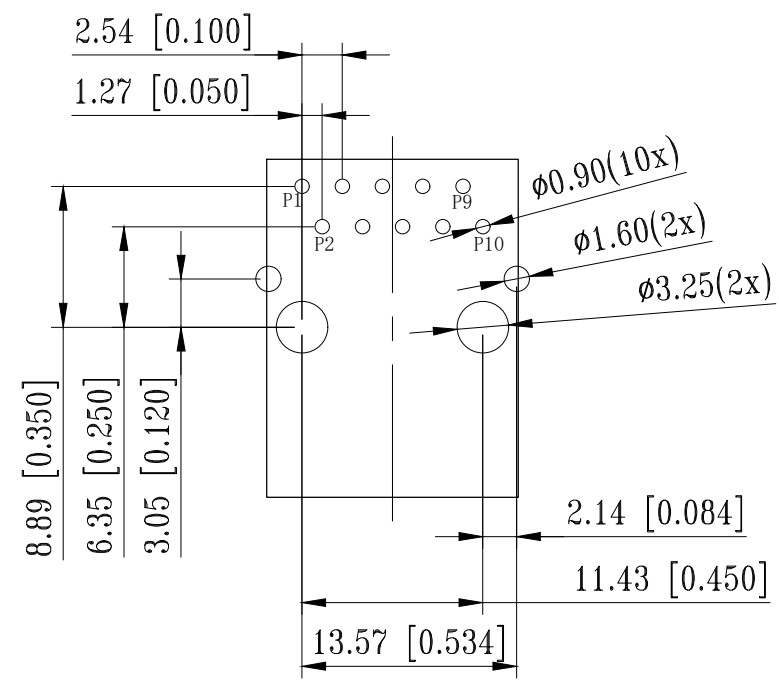
1:1

TABLE OF TOLERANCE (mm)	
RANGE	TOLERANCE
0-10	±0.15
>10-40	±0.25
>40-70	±0.30
>70	±0.40

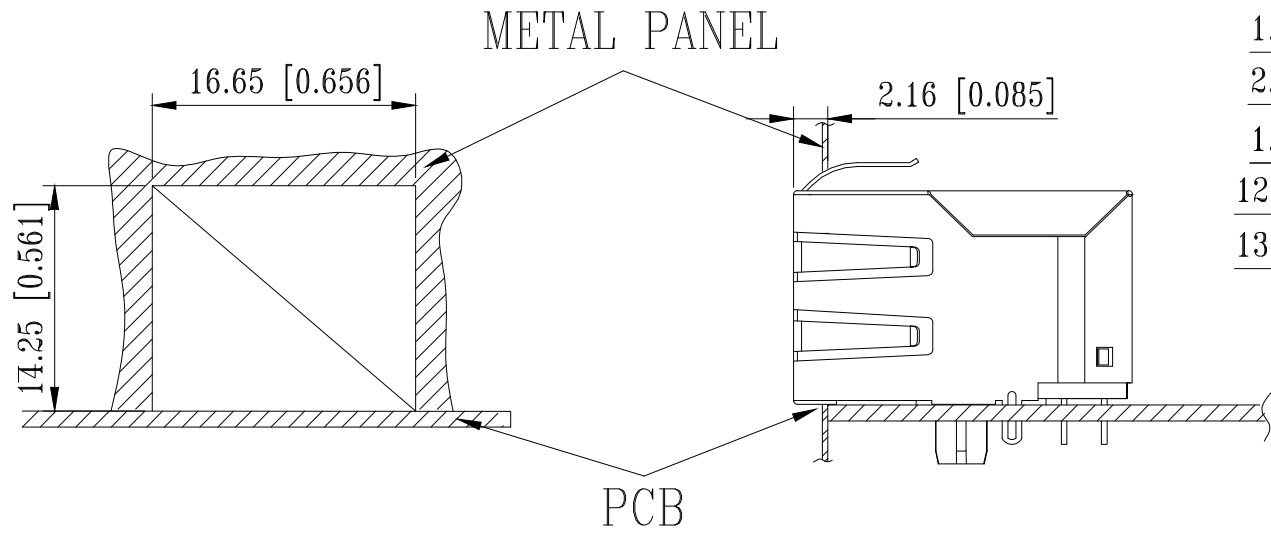
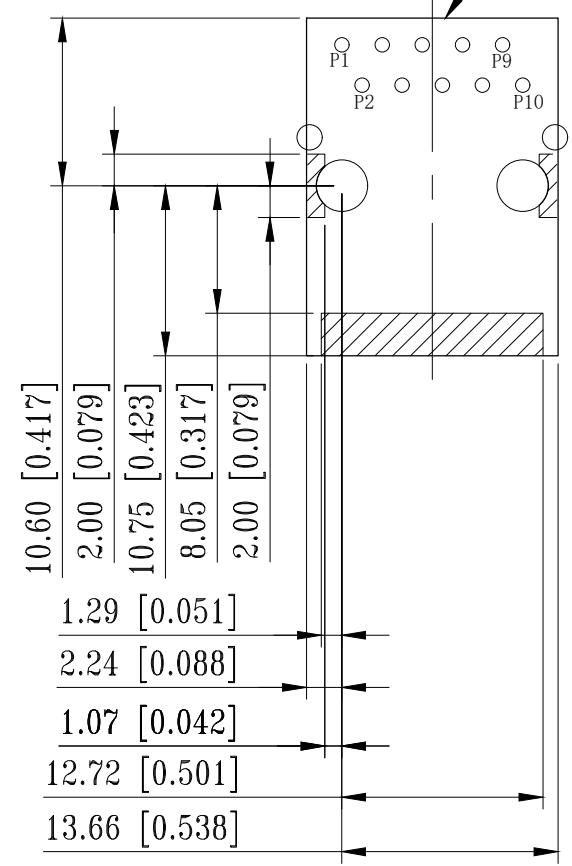
THIS DRAWING IS A CONTROLLED DOCUMENT.		DWN 11MAR2020 GANESH C M	TE Connectivity Ltd.		
DIMENSIONS: mm [INCHES]		CHK 11MAR2020 FRANZ MUELLER			
TOLERANCES UNLESS OTHERWISE SPECIFIED: 0 PLC ± - 1 PLC ± - 2 PLC ± - 3 PLC ± - 4 PLC ± - ANGLES ± -		APVD 11MAR2020 MARTIN SZELAG	PRODUCT SPEC 108-94552		
MATERIAL		FINISH	APPLICATION SPEC 114-94447	SIZE A3	CAGE CODE 00779
△ 1		△ 1	WEIGHT	DRAWING NO C-8-2301994-2	RESTRICTED TO -
CUSTOMER DRAWING			SCALE 3:1	SHEET 1 OF 3	REV A2

REVISIONS					
P	LTR	DESCRIPTION	DATE	DWN	APVD
-	-	SEE SHEET 1	-	-	-


### SUGGESTED PCB LAYOUT



Connector Boundary



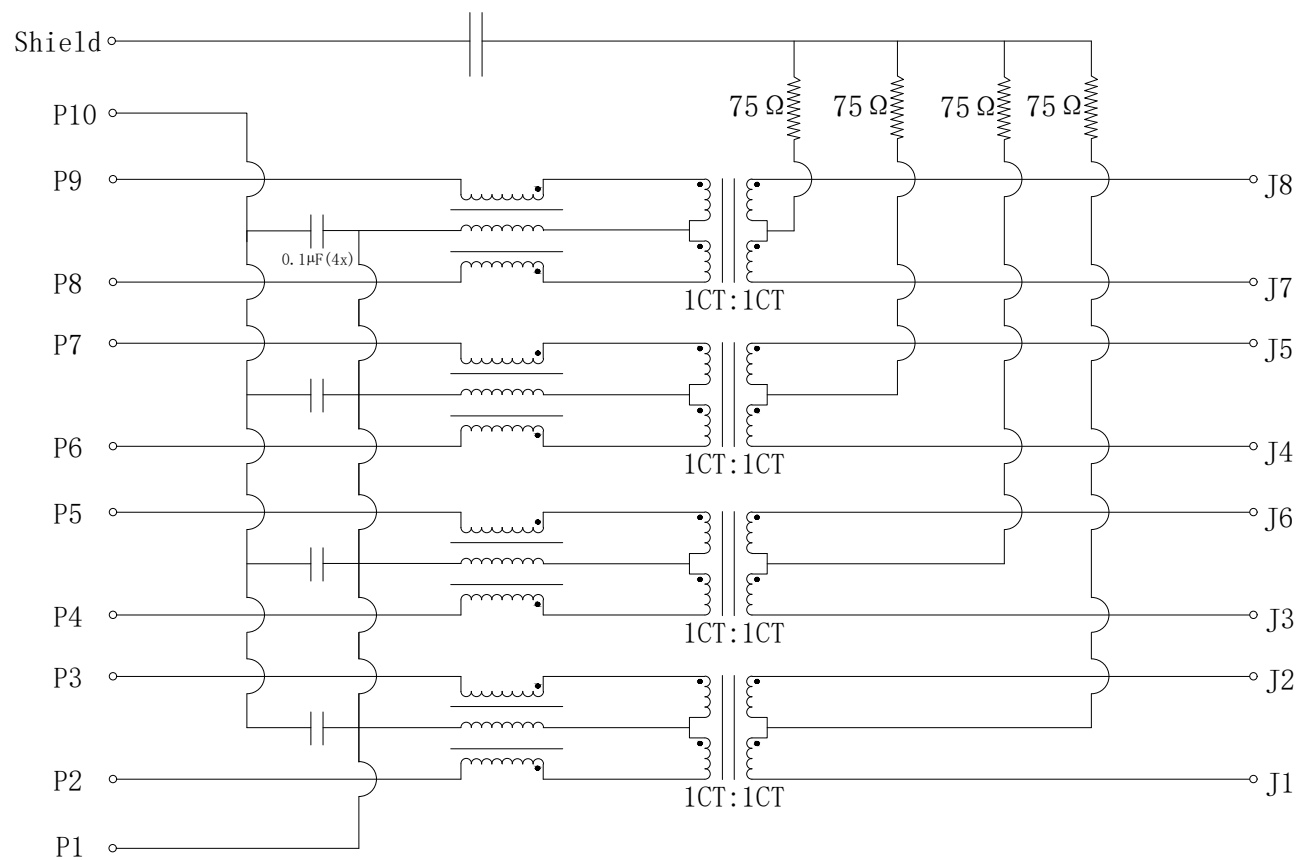
UNIT: mm / inch  
 TOLERANCES: ±0.10 / 0.004

THIS DRAWING IS A CONTROLLED DOCUMENT.		DWN GANESH C M 11MAR2020	 TE Connectivity Ltd.		
DIMENSIONS: mm [INCHES]		CHK FRANZ MUELLER 11MAR2020			
TOLERANCES UNLESS OTHERWISE SPECIFIED:		APVD MARTIN SZELAG 11MAR2020	NAME RJ45 JACK INT.MAG. 1Gb 1x1		
0 PLC ± - 1 PLC ± - 2 PLC ± - 3 PLC ± - 4 PLC ± - ANGLES ± -		PRODUCT SPEC 108-94552	RESTRICTED TO		
MATERIAL		APPLICATION SPEC 114-94447	SIZE A3	CAGE CODE 00779	DRAWING NO C-8-2301994-2
FINISH		WEIGHT	SCALE 3:1		
CUSTOMER DRAWING		SHEET 2 of 3		REV A2	

REVISIONS					
P	LTR	DESCRIPTION	DATE	DWN	APVD
-	-	SEE SHEET 1	-	-	-

### ELECTRICAL CIRCUIT DIAGRAM

CAP 1000pF/2kV



- 1.0 Turn Ratio @100kHz: (P2~P3):(J1~J2) = 1:1±2%
- (P4~P5):(J3~J6) = 1:1±2%
- (P6~P7):(J4~J5) = 1:1±2%
- (P8~P9):(J7~J8) = 1:1±2%
- 2.0 Primary Inductance: 350µH MIN. @100kHz, 0.1V 8mA DC BIAS
- 3.0 DC Resistance: 1.2 OHMS MAX.
- 4.0 Insertion Loss: 1-100MHz -1.0dB MAX.
- 100-125MHz -1.2dB MAX.
- 5.0 Return Loss: 1-40MHz -16dB MIN.
- 40-60MHz -12dB MIN.
- 60-80MHz -10dB MIN.
- 80-100MHz -8dB MIN.
- 6.0 CROSS TALK: 1-100MHz -30dB MIN.
- 7.0 COMMON TO COMMON MODE ATTENUATION: 1-100MHz -30dB MIN.
- 8.0 Isolation: PHY Side to Line Side: 2250VDC

8-2301994-2  
WWYY-xxxx

**TE**

FCC

CONTROL CODE  
DATE CODE  
"0213"

YY-YEAR  
WW-WEEK

THIS DRAWING IS A CONTROLLED DOCUMENT.		DWN GANESH C M 11MAR2020	TE Connectivity Ltd.		
DIMENSIONS: mm [INCHES]		CHK FRANZ MUELLER 11MAR2020			
TOLERANCES UNLESS OTHERWISE SPECIFIED:		APVD MARTIN SZELAG 11MAR2020	PRODUCT SPEC		
0 PLC ± -		108-94552		APPLICATION SPEC	
1 PLC ± -		114-94447		RESTRICTED TO	
2 PLC ± -		WEIGHT		SIZE CAGE CODE DRAWING NO	
3 PLC ± -		A3 00779		C-8-2301994-2	
4 PLC ± -		CUSTOMER DRAWING		SCALE 3:1 SHEET 3 OF 3 REV A2	
ANGLES ± -					
MATERIAL					
FINISH					