

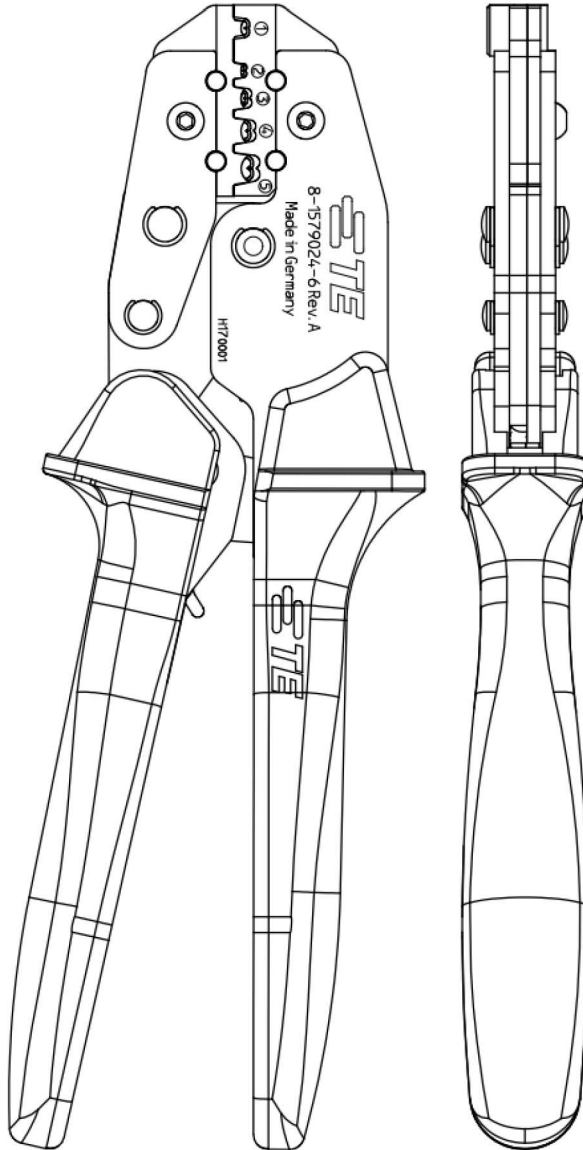
LOC AI	DIST 00	REVISIONS				
P	LTR	DESCRIPTION	DATE	DWN	APVD	
	B	ECR-21-005285	11MAY21	AM	LS	

CRIMPAC

AWG22-10

FRONT VIEW

SIDE VIEW



Eigenschaften / Features

Ausgerichtet auf die industrielle Anwendung können unterschiedliche Querschnitte zwischen AWG22 - 10 präzise verarbeitet werden. Das Doppelführungssystem garantiert eine gleichmäßige Schließkraft und präzise verwindungssteife Führung in allen Profilen und ermöglicht so die Einhaltung kleinster Toleranzen.

These crimp tools are especially designed for industrial applications to precisely crimp cross-sections from AWG22 - 10. The double-guidance-system guarantees an even closing force and precise twist resistant guidance for every profile and thus ensures the compliance to the smallest tolerances.

Abmessungen / Dimension

Länge/Length: 228 mm
 Breite/Width: 80 mm
 Tiefe/Depth: 25 mm

Bedienungsanleitung / Operating instructions


411-18628 / TE P/N 7-744017-5

RELEASED FOR PUBLICATION

THIS DRAWING IS UNPUBLISHED.

ALL INTERNATIONAL RIGHTS RESERVED.

© COPYRIGHT - BY TYCO ELECTRONICS CORPORATION.

DIMENSIONS: mm	DWN L. Sandhu	21AUG2017	MATERIAL	FINISH
	CHK C. Witt	21AUG2017	 TE Connectivity	
TOLERANCES UNLESS OTHERWISE SPECIFIED:	APVD G. Stegmayer	21AUG2017		
	PRODUCT SPEC		-	
	APPLICATION SPEC		SIZE A4	CAGE CODE 00779
0 PLC ± - 1 PLC ± - 2 PLC ± - 3 PLC ± - 4 PLC ± - ANGLES ± -	WEIGHT 0.54kg		RESTRICTED TO -	
CUSTOMER DRAWING			SCALE	SHEET 1 OF 1
				REV B

