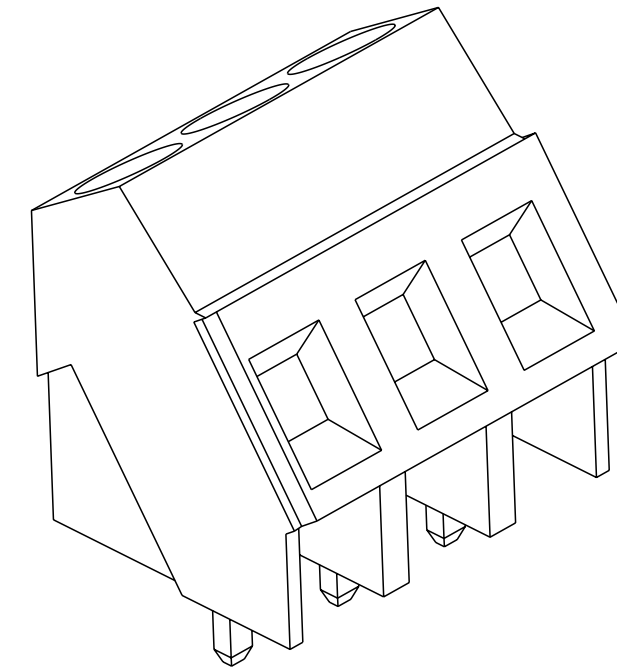
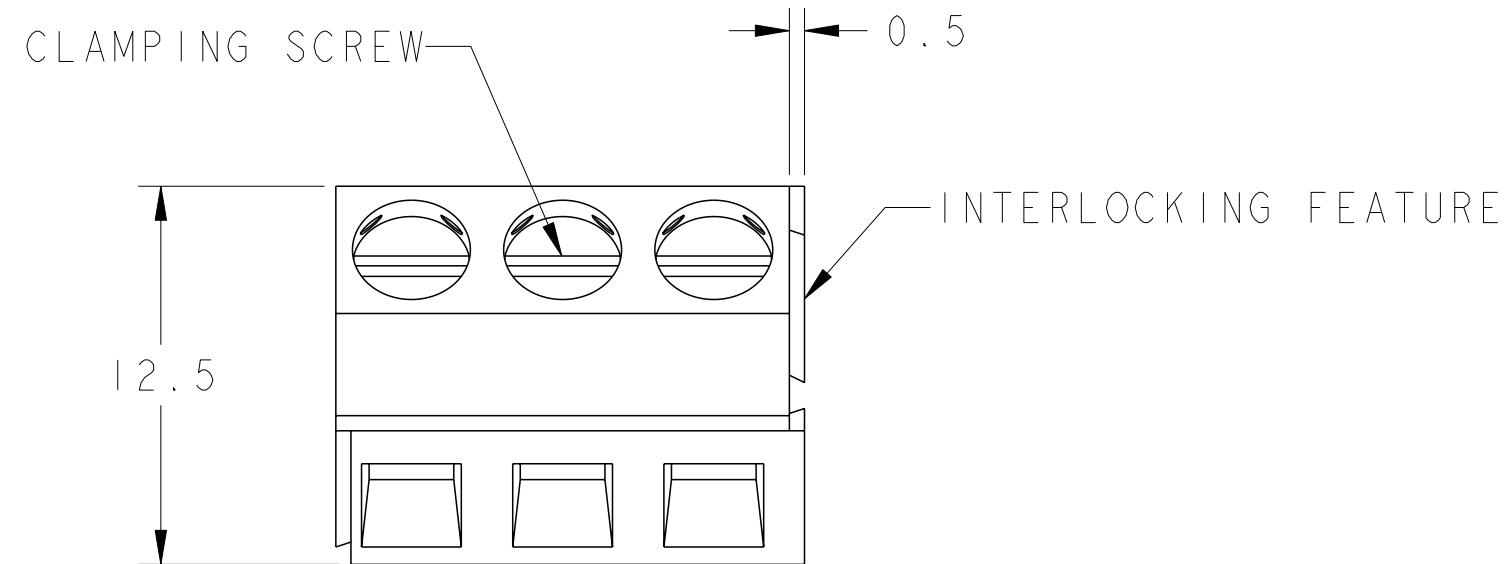
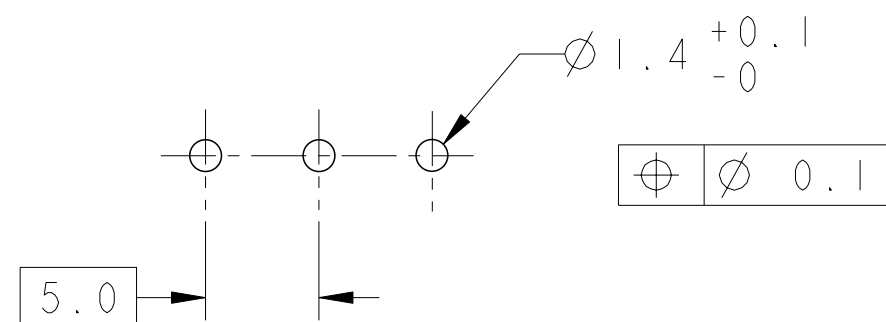
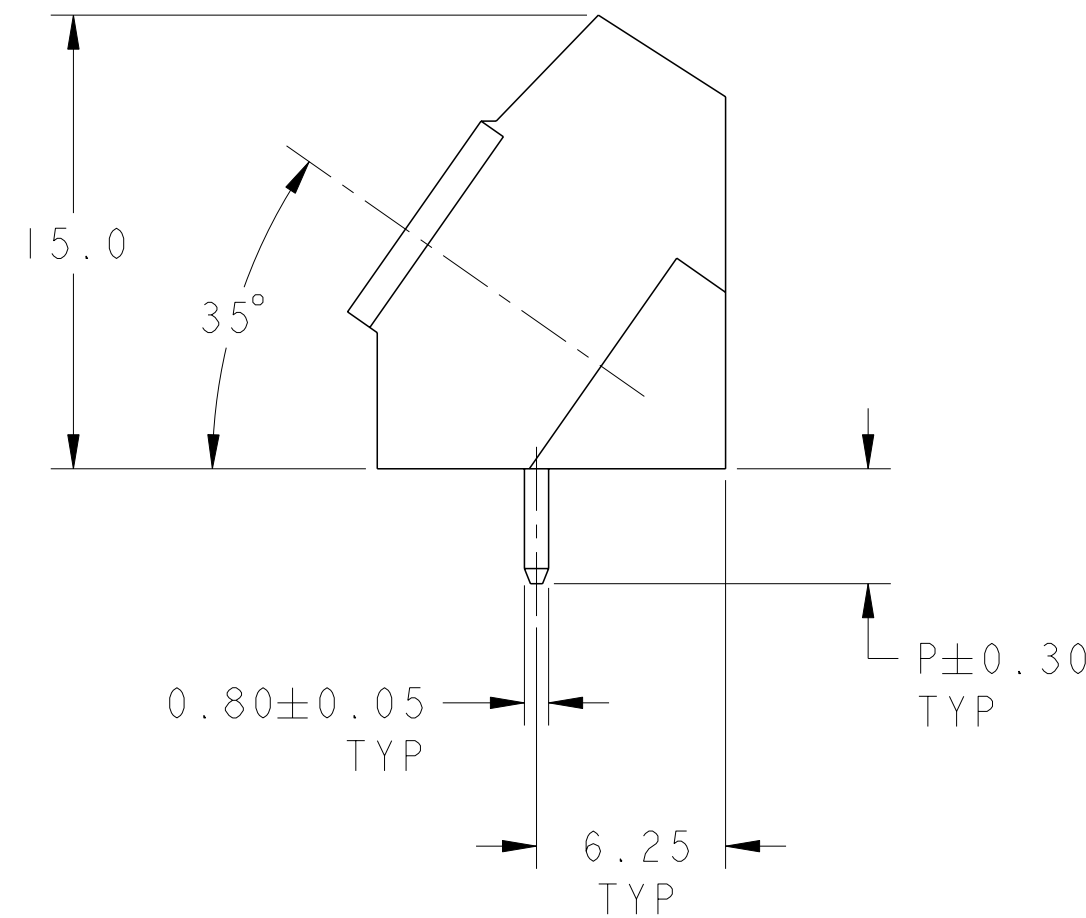
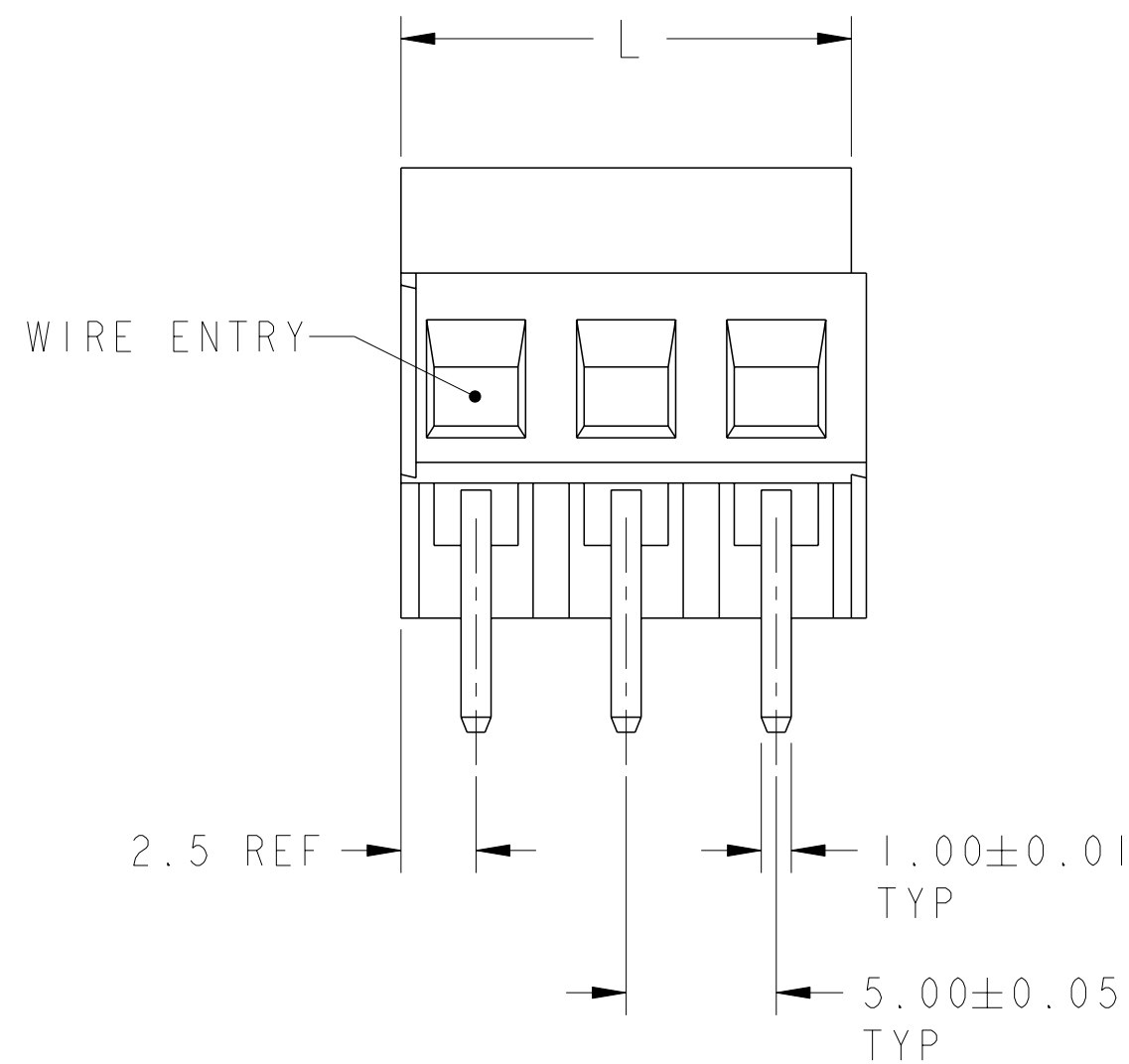


REVISIONS					
P	LTR	DESCRIPTION	DATE	DWN	APVD
E3		REVISED PER ECO-11-008211	21APR2011	HMR	CR
E4		PART STATUS UPDATED	19OCT2021	SCB	SS
E5		ADDING NEW PART NUMBER 4-796690-8	14SEP2023	SP	PS



796690-3 AS SHOWN



RECOMMENDED PC BOARD LAYOUT

INK COLOR	MARKING	P	L	NO OF POSN	PART NUMBER	
					4-796690-8	
OBSOLETE	BLACK	SEE DETAIL K	3.8	40	8	4-796690-8
OBSOLETE	BLACK	SEE DETAIL J	3.8	10	2	<del>5-796690-6</del>
OBSOLETE	BLACK	SEE DETAIL H	3.8	10	2	<del>5-796690-5</del>
OBSOLETE	BLACK	SEE DETAIL G	3.8	10	2	<del>5-796690-4</del>
OBSOLETE	-	-	6.0	15	3	<del>5-796690-3</del>
OBSOLETE	-	-	6.0	10	2	<del>5-796690-2</del>
OBSOLETE	9	SEE DETAIL B	3.8	10	2	<del>4-796690-2</del>
OBSOLETE	8	SEE DETAIL F	3.8	40	8	<del>3-796690-8</del>
OBSOLETE	9	SEE DETAIL C	3.8	15	3	<del>3-796690-3</del>
OBSOLETE	-	-	3.8	100	20	2-796690-0
OBSOLETE	9	SEE DETAIL C	3.8	15	3	+796690-9
OBSOLETE	9	SEE DETAIL B	3.8	10	2	+796690-8
OBSOLETE	-	-	6.0	15	3	+796690-7
OBSOLETE	-	-	6.0	10	2	+796690-6
OBSOLETE	8	SEE DETAIL E	3.8	25	5	+796690-5
OBSOLETE	8	SEE DETAIL D	3.8	20	4	+796690-4
OBSOLETE	8	SEE DETAIL A	3.8	10	2	+796690-3
-	-	-	3.8	60	12	1-796690-2
-	-	-	3.8	55	11	1-796690-1
-	-	-	3.8	50	10	1-796690-0
-	-	-	3.8	45	9	796690-9
-	-	-	3.8	40	8	796690-8
-	-	-	3.8	35	7	796690-7
-	-	-	3.8	30	6	796690-6
-	-	-	3.8	25	5	796690-5
-	-	-	3.8	20	4	796690-4
-	-	-	3.8	15	3	796690-3
-	-	-	3.8	10	2	796690-2

THIS DRAWING IS A CONTROLLED DOCUMENT.

DWN: E. ZANOLINI 14MAR2001  
 CHK: D. BIEVENOUR 14MAR2001  
 APVD: D. BIEVENOUR 14MAR2001

**TE** TE Connectivity

NAME: TERMINAL BLOCK, PCB MOUNT  
 ANGLED WIRE ENTRY, STACKING  
 W/INTERLOCK, 5mm PITCH

PRODUCT SPEC: 108-20166  
 APPLICATION SPEC: 114-20079

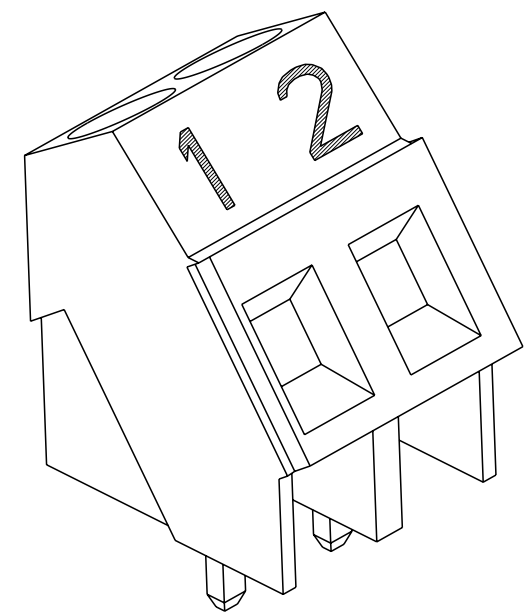
SIZE: A2 CAGE CODE: 00779 DRAWING NO: C-796690 RESTRICTED TO: -

MATERIAL: 1 FINISH: 1

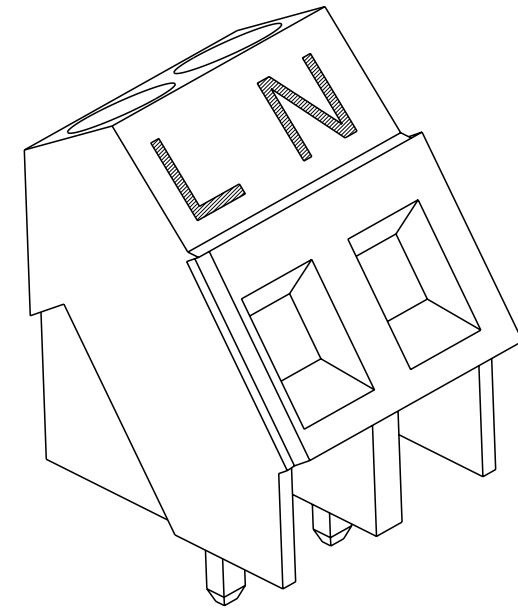
WEIGHT: -

CUSTOMER DRAWING SCALE: 4:1 SHEET: 1 OF 2 REV: E5

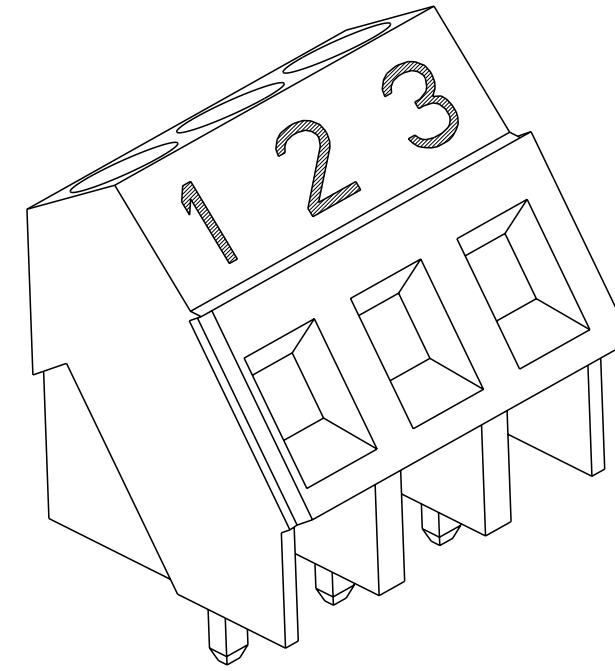
P	LTR	DESCRIPTION	DATE	DWN	APVD
-		SEE SHEET 1	-	-	-



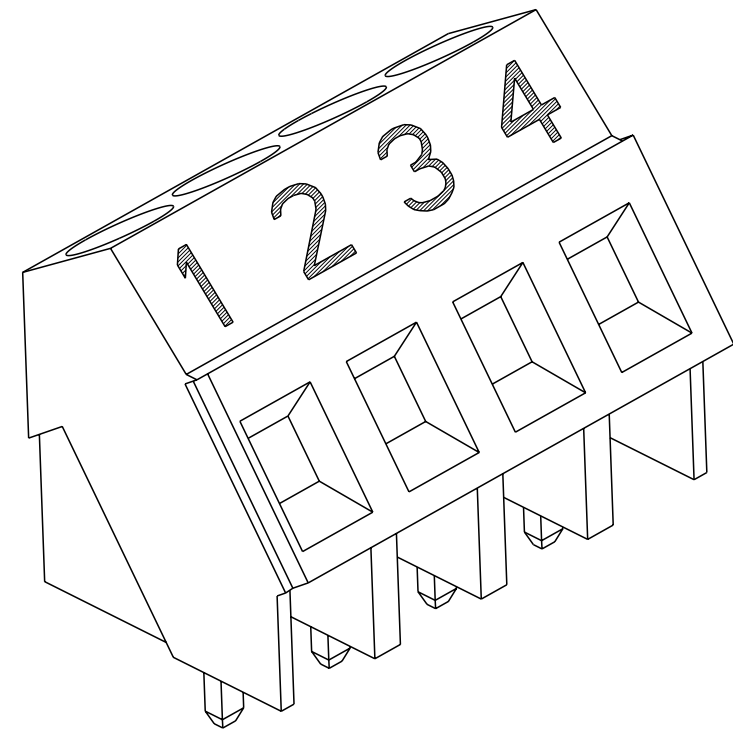
DETAIL A



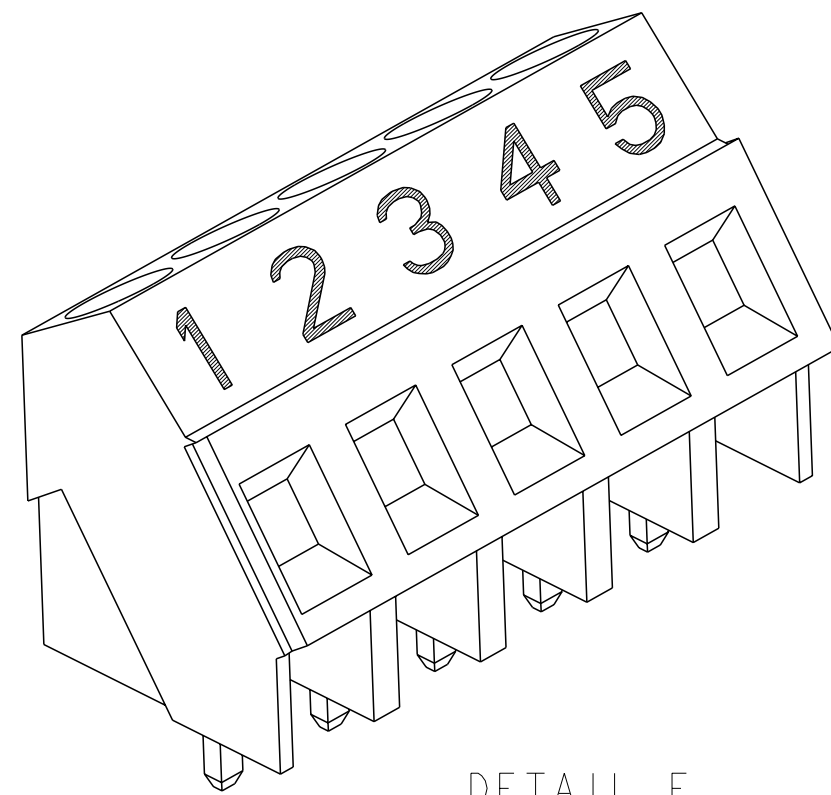
DETAIL B



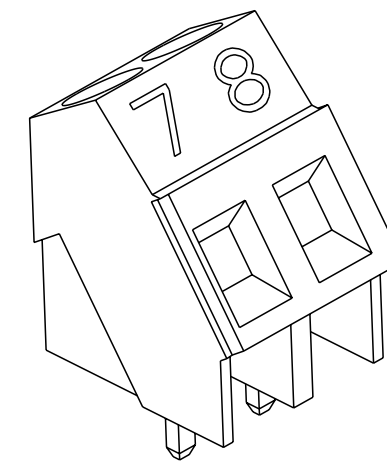
DETAIL C



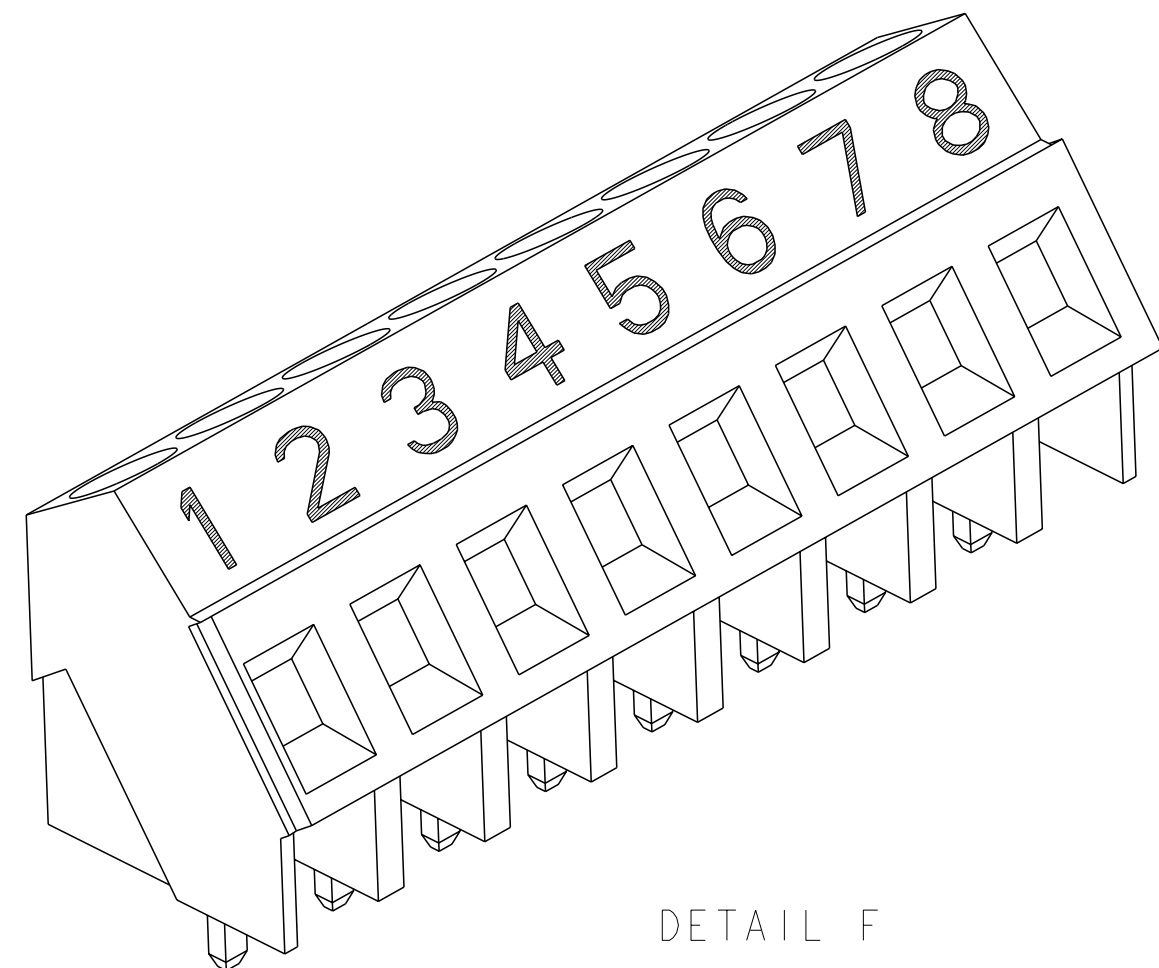
DETAIL D



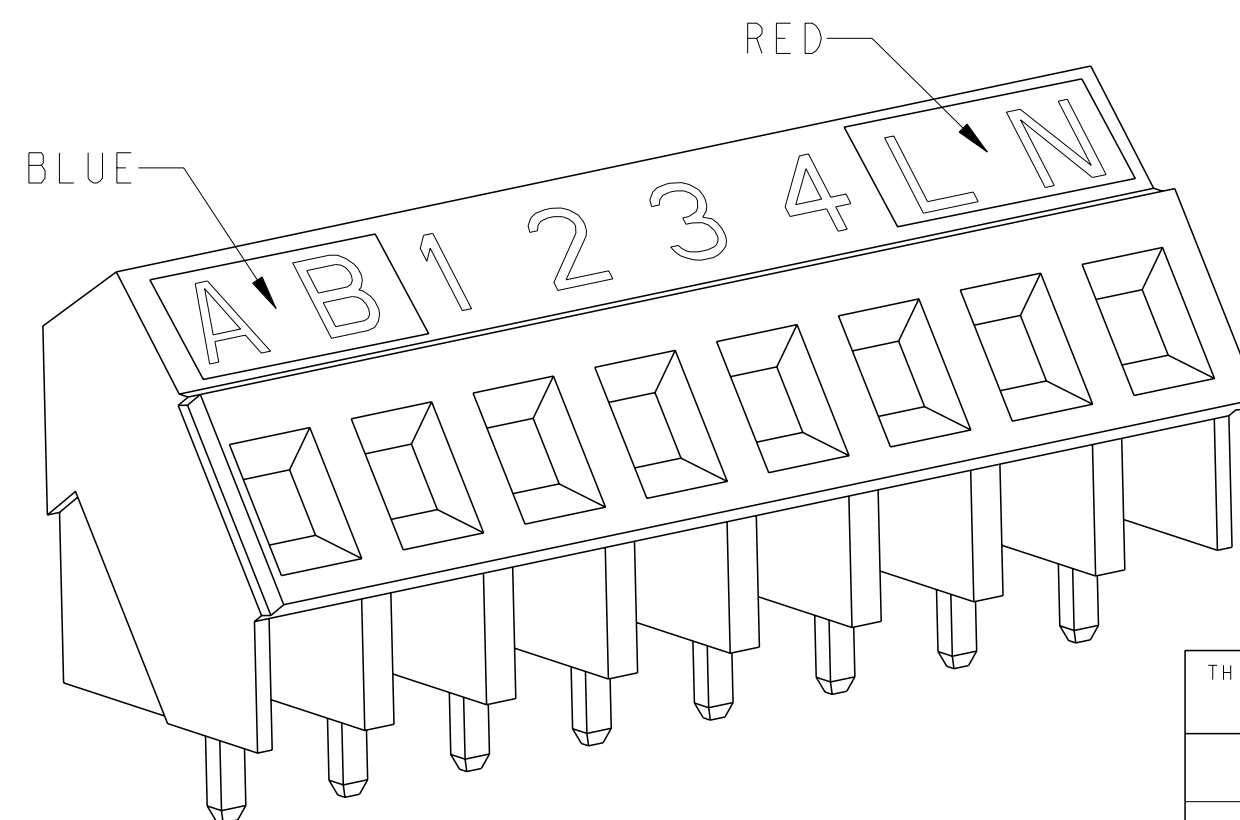
DETAIL E



DETAIL G



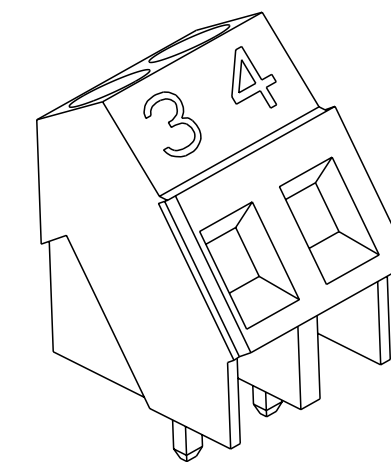
DETAIL F



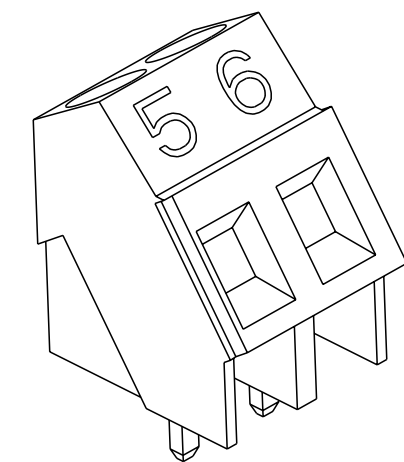
DETAIL K

NOTES:

1. MATERIALS AND FINISH:  
 HOUSING : PA66 , UL94 V0, COLOR- GREEN  
 CAGE: COPPER ALLOY , NICKEL PLATED  
 TERMINAL: COPPER ALLOY , 4µm TIN PLATING OVER min. 1.27µm NICKEL PLATING.  
 CLAMPING SCREW : M3 , COPPERY ALLOY , NICKEL PLATED
2. SUITABLE FOR 1,6-2,4mm PCB THICKNESS.
3. OPERATING TEMPERATURE RANGE : -40C TO +105C.
4. ELECTRICAL:  
 WIRE RANGE : 30-12 AWG (0.05 ± 3 mm<sup>2</sup>)  
 RATED VOLTAGE : 300V  
 RATED CURRENT : 17.5A  
 CONTACT RESISTANCE : <15 m Ohm  
 INSULATION RESISTANCE : >1000 M Ohm (500V DC)
5. RECOGNIZED UNDER THE COMPONENT PROGRAM OF UNDERWRITERS LABORATORIES INC. FILE N° E60677.
6. NOTE IS DELETED.
7. NOT CUMULATIVE TOLERANCE.
8. INK MARKED WHITE, UNLESS OTHERWISE SPECIFIED. NUMERICAL SEQUENCE FROM LEFT TO RIGHT.
9. INK MARKED BLACK, UNLESS OTHERWISE SPECIFIED. NUMERICAL SEQUENCE FROM LEFT TO RIGHT.
10. BUCHANAN LOGO TO APPEAR ON HOUSING, LOCATION OPTIONAL, WHERE SPACE PERMITS.
11. TORQUE : 17.5 in-lbs MAX



DETAIL H



DETAIL J

THIS DRAWING IS A CONTROLLED DOCUMENT.		DWN E. ZANOLINI	14MAR2001	<b>STE</b> TE Connectivity																				
DIMENSIONS: mm		CHK D. BIEVENOUR	14MAR2001																					
TOLERANCES UNLESS OTHERWISE SPECIFIED:		APVD D. BIEVENOUR	14MAR2001																					
<table border="0"> <tr> <td>0 PLC</td> <td>±:</td> <td>3</td> </tr> <tr> <td>1 PLC</td> <td>±:</td> <td>3</td> </tr> <tr> <td>2 PLC</td> <td>±:</td> <td>25</td> </tr> <tr> <td>3 PLC</td> <td>±:</td> <td>-</td> </tr> <tr> <td>4 PLC</td> <td>±:</td> <td>-</td> </tr> <tr> <td>ANGLES</td> <td>±:</td> <td>2</td> </tr> <tr> <td>FINISH</td> <td>±:</td> <td>-</td> </tr> </table>		0 PLC	±:		3	1 PLC	±:	3	2 PLC	±:	25	3 PLC	±:	-	4 PLC	±:	-	ANGLES	±:	2	FINISH	±:	-	PRODUCT SPEC 108-20166
0 PLC	±:	3																						
1 PLC	±:	3																						
2 PLC	±:	25																						
3 PLC	±:	-																						
4 PLC	±:	-																						
ANGLES	±:	2																						
FINISH	±:	-																						
MATERIAL		APPLICATION SPEC 114-20079	WEIGHT -	SIZE A2																				
		CUSTOMER DRAWING	SCALE 3:1	CAGE CODE 00779																				
				DRAWING NO G-796690																				
				RESTRICTED TO -																				
				SHEET 2 OF 2																				
				REV E5																				