

THIS DRAWING IS UNPUBLISHED. RELEASED FOR PUBLICATION  
 © COPYRIGHT - By - ALL RIGHTS RESERVED.

REVISIONS					
P	LTR	DESCRIPTION	DATE	OWN	APPD
G		REVISED PER ECO-16-004940	05AUG2016	NK	MZ
H		REVISED PER ECO-17-009310	28JUN2017	RS	MZ
J		REVISED PER ECO-18-000439	19JAN2018	RS	MZ

- ① 0.76um[.000030] MIN GOLD IN LOCALIZED GOLD PLATE AREA, 3.81um [.000150] MIN TIN-LEAD IN LOCALIZED TIN PLATE AREA, BOTH OVER 1.27um[.000050] MIN NICKEL.
- ② POSITIONS 1 THRU 11 AND 17 THRU 25 ARE LOADED WITH GROUND TYPE CONTACTS, POSITIONS 12 THRU 16 ARE LOADED WITH POWER TYPE CONTACTS.
- ③ POSITIONS 1 THRU 6 AND 17 THRU 25 ARE LOADED WITH GROUND TYPE CONTACTS, POSITIONS 7 THRU 16 ARE LOADED WITH POWER TYPE CONTACTS.
- ④ 2, 6, 10 TO 16, 20, 21 & 24 ARE LOADED WITH GROUND TYPE CONTACTS.
- ⑤ 5 TO 9, 11, 13, 14, 15, 20 & 25 ARE LOADED WITH POWER TYPE CONTACTS, POSITION 10 IS LOADED WITH GROUND TYPE CONTACTS.
- ⑥ 1 THRU 13, 15 THRU 17, 20, 21, 23 & 25 ARE LOADED WITH POWER TYPE CONTACTS, POSITIONS 14 & 24 ARE LOADED WITH GROUND TYPE CONTACTS.
- ⑦ 2.54um[.000100] MIN TIN-LEAD OVER 1.27um[.000050] MIN NICKEL.
- ⑧ CONTACTS: PHOSPHOR BRONZE, HOUSING; POLYSULFONE, BLACK.
- ⑨ 0.76um[.000030] MIN GOLD IN LOCALIZED GOLD PLATE AREA, 3.81um [.000150] MIN TIN IN LOCALIZED TIN PLATE AREA, BOTH OVER 1.27um [.000050] MIN NICKEL.
- ⑩ 2.54um[.000100] MIN TIN OVER 1.27um[.000050] MIN NICKEL.
- ⑪ OBSOLETE PARTS: OBSOLETE CIS STREAMLINING PER D.RENAUD/D.SINISI

⑪	⑨	⑥	22	1-796590-6
OBSOLETE	⑨	⑤	12	1-796590-5
	⑨	④	12	1-796590-4
	⑩	②	25	1-796590-3
	⑨	FULL	25	1-796590-2
OBSOLETE	⑩	FULL	25	1-796590-1
	⑨	③	25	1-796590-0
OBSOLETE	①	②	25	796590-9
OBSOLETE	①	⑥	22	796590-8
⑪	①	⑤	12	796590-7
	①	④	12	796590-6
OBSOLETE	①	②	25	796590-5
OBSOLETE	①	FULL	25	796590-4
⑪	①	⑦	25	796590-3
	①	③	25	796590-2
OBSOLETE	①	②	25	796590-1
	FINISH	LOCATION	QTY	PART NUMBER

THIS DRAWING IS A CONTROLLED DOCUMENT. DIM S. WELDON 26SEP00  
 CHK: K. DOWHOWER 26SEP00  
 APD: K. DOWHOWER 26SEP00

TE Connectivity Ltd.

NAME: HEADER ASSEMBLY, 25 POSN, ACTION PIN, METRIMATE

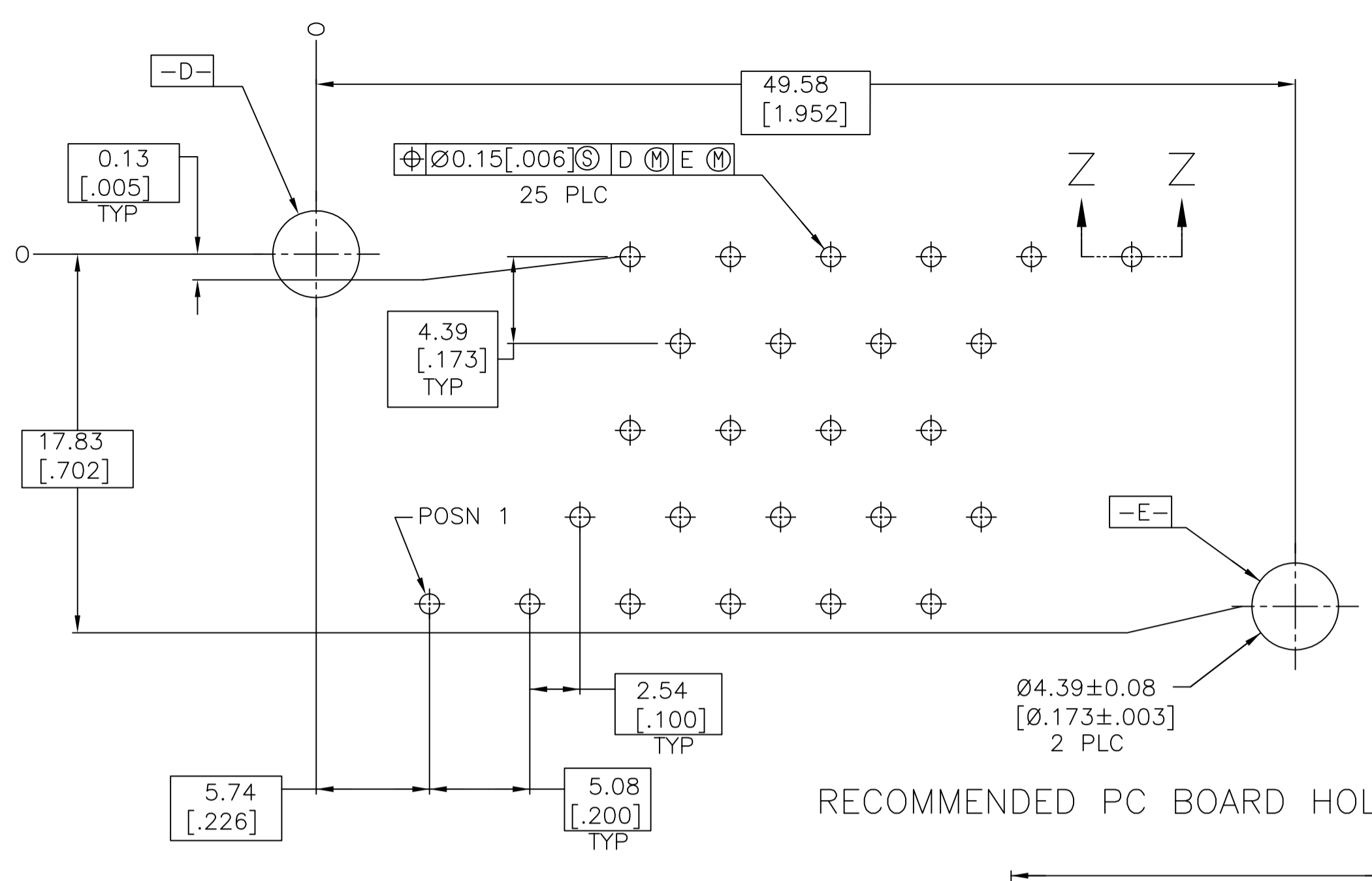
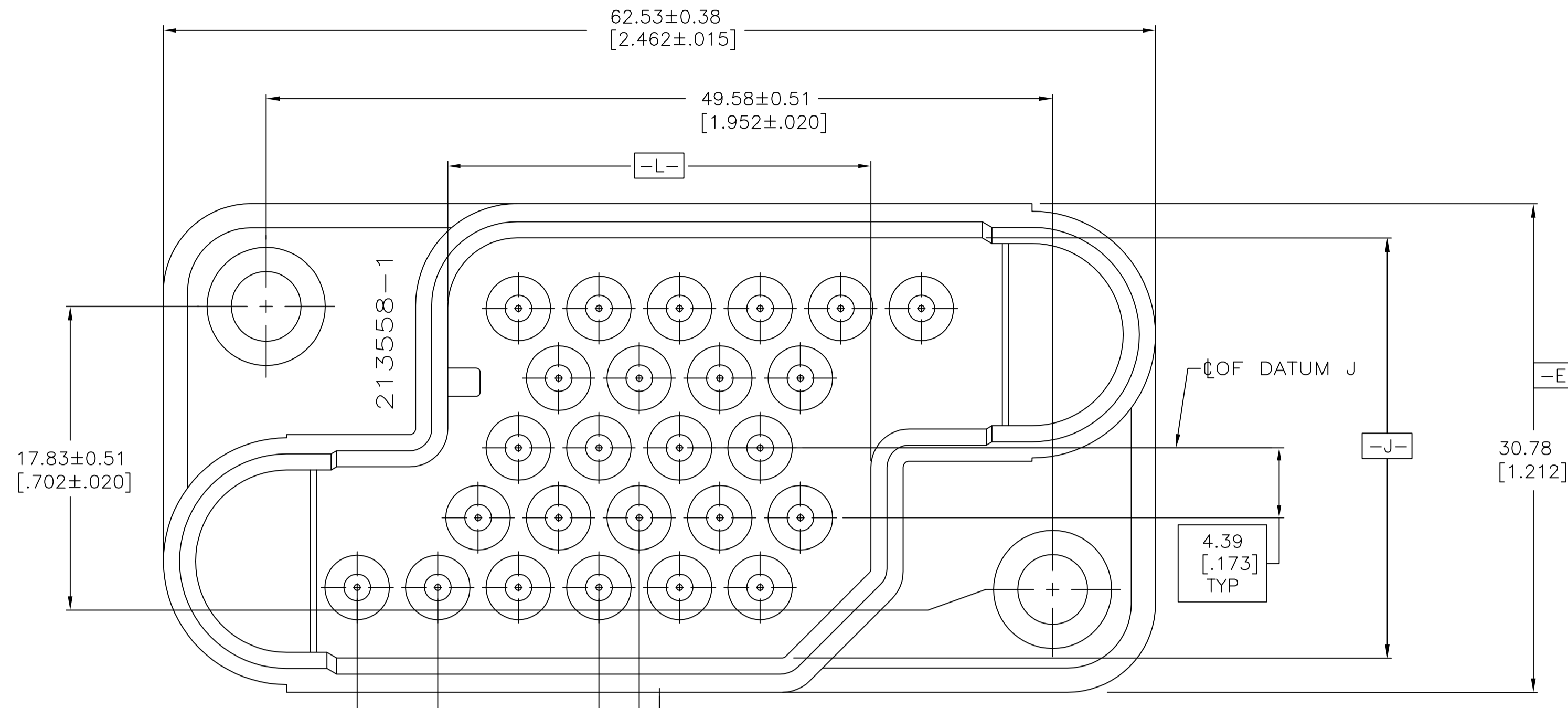
PRODUCT SPEC: APPLICATION SPEC

SIZE: A1 CAGE CODE: 00779 DRAWING NO: 796590 RESTRICTED TO: -

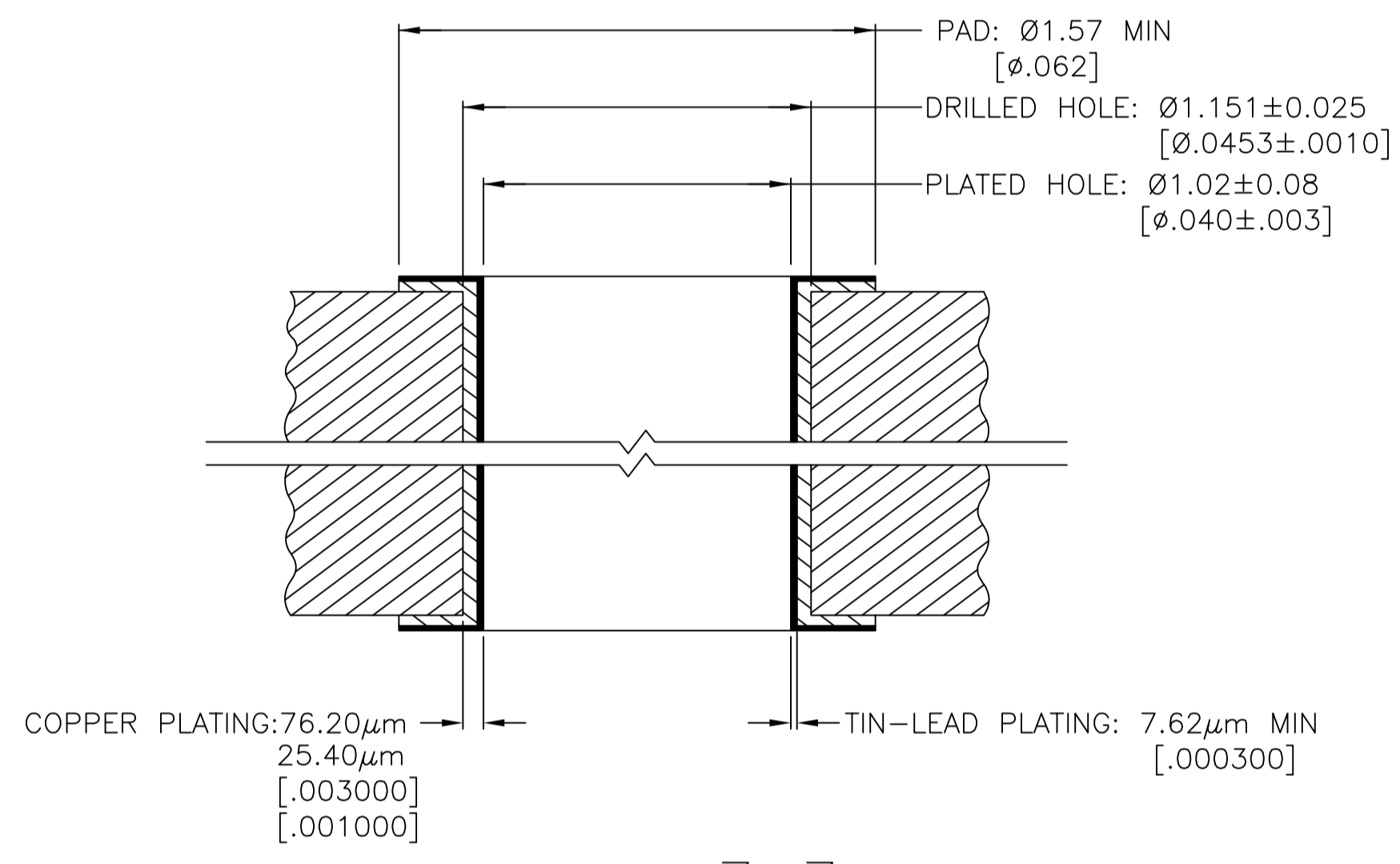
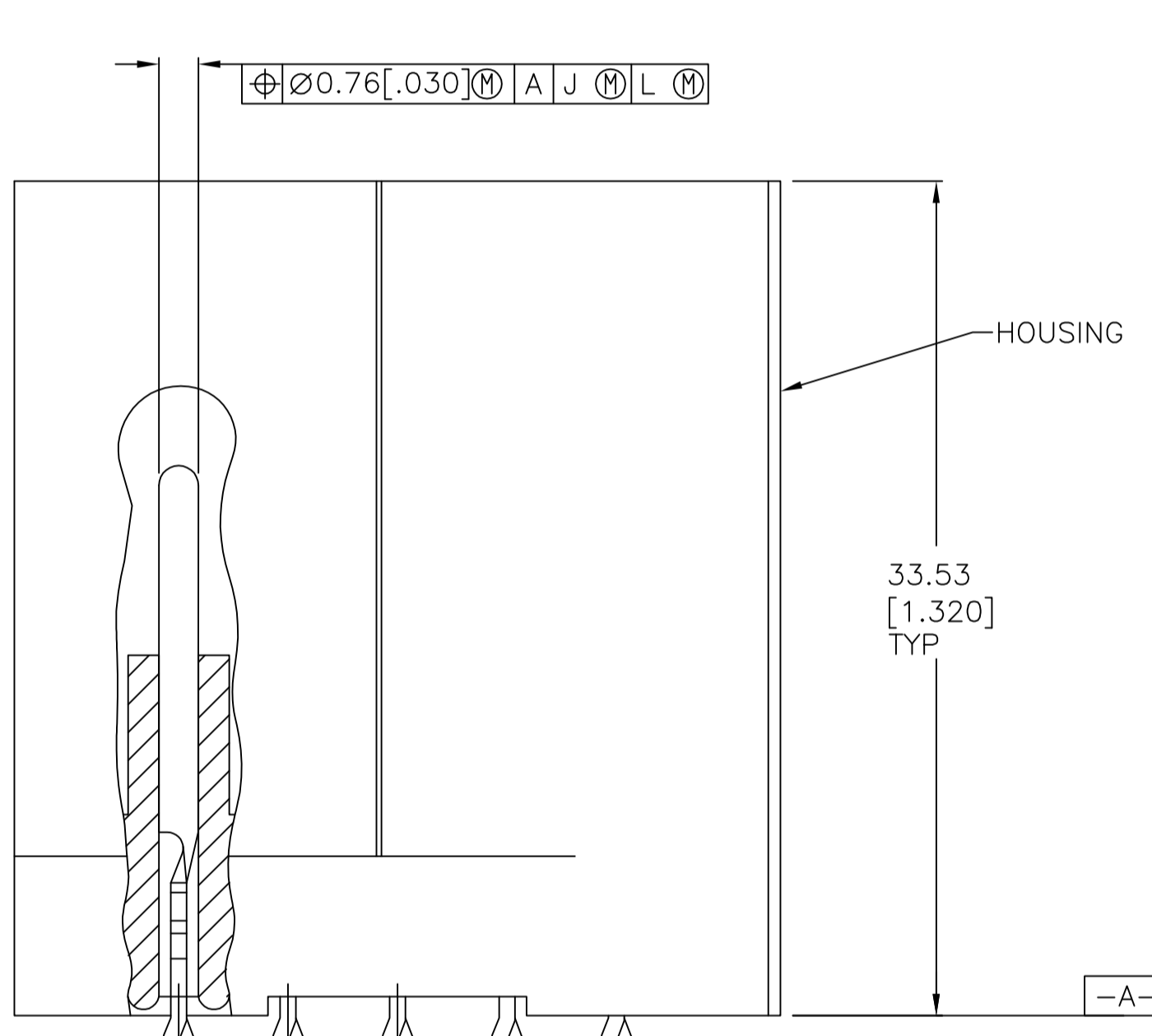
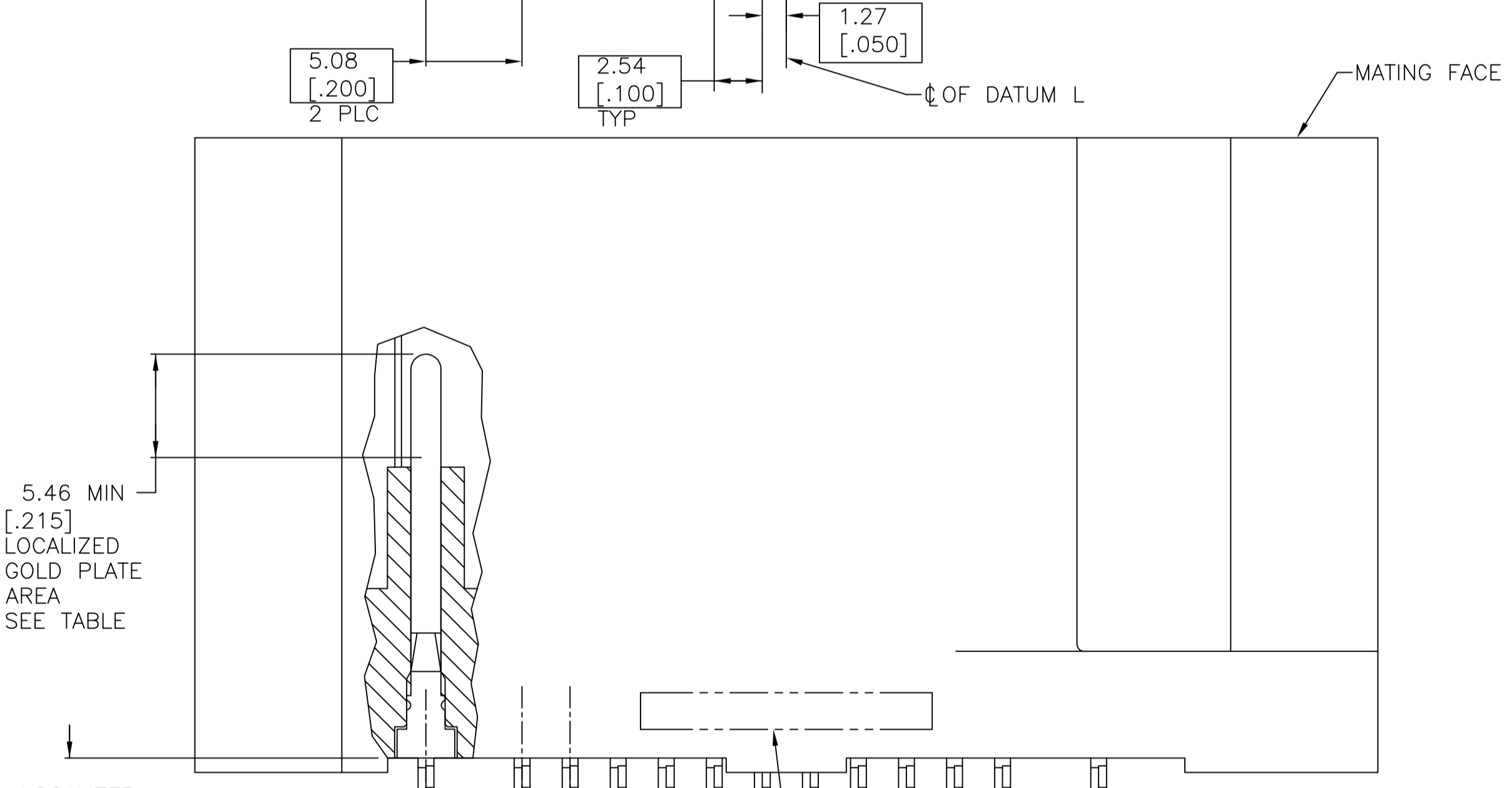
WEIGHT: -

CUSTOMER DRAWING SCALE: 4:1 SHEET: 1 OF 2 REV: J

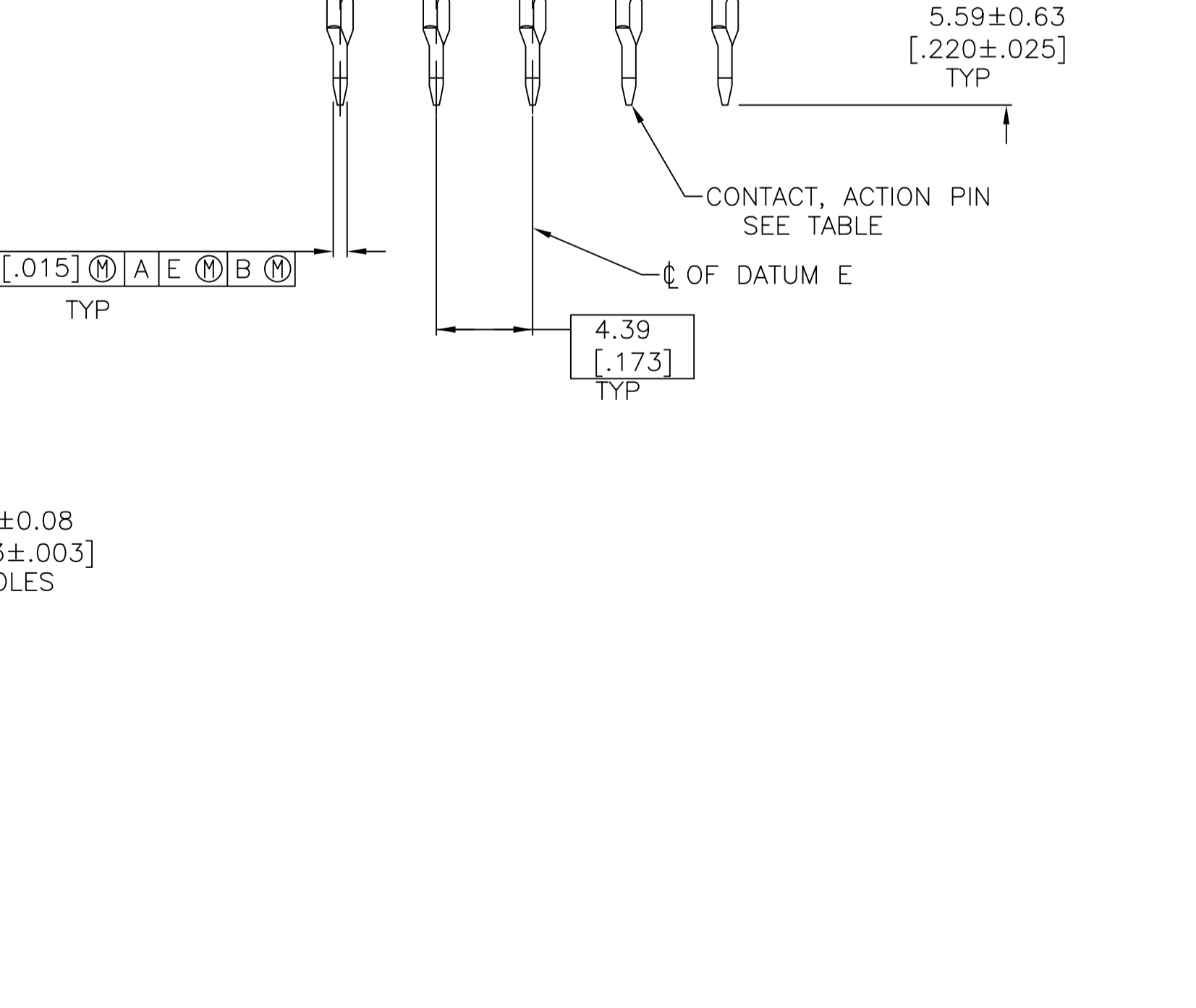
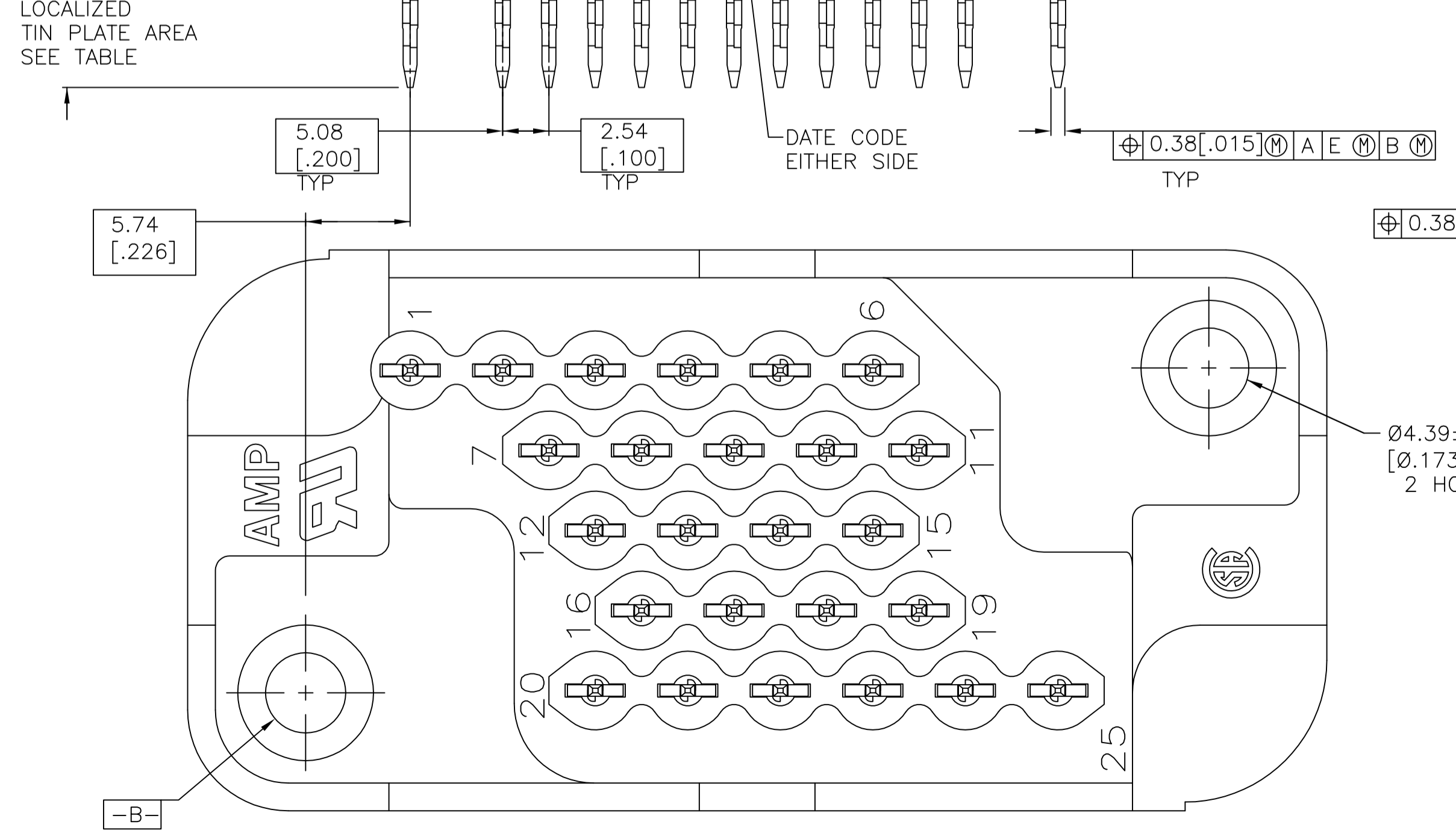
REVISIONS				
P	LTR	DESCRIPTION	DATE	OWN
-	-	SEE SHEET 1	-	-



RECOMMENDED PC BOARD HOLE PATTERN



SECTION Z-Z  
COPPER HARDNESS: (KNOOP) 150 MAX  
SCALE 50:1  
25 PLC



THIS DRAWING IS A CONTROLLED DOCUMENT.		DWN: S. WELDON 26SEP00	TE Connectivity Ltd.
DIMENSIONS: mm [INCHES]		CHK: K. DOWHOWER 26SEP00	
TOLERANCES UNLESS OTHERWISE SPECIFIED:		APPD: K. DOWHOWER 26SEP00	NAME: HEADER ASSEMBLY, 25 POSN, ACTION PIN, METRIMATE
0 PLC	± -	PRODUCT SPEC	APPLICATION SPEC
1 PLC	± -	APPLICATION SPEC	SIZE: A1
2 PLC	± 0.25 [010]	RESTRICTED TO	CAGE CODE: 00779
3 PLC	± -	RESTRICTED TO	DRAWING NO: 796590
4 PLC	± -	RESTRICTED TO	SCALE: 4:1
ANGLES	± -	RESTRICTED TO	SHEET: 2 OF 2
MATERIAL	FINISH	WEIGHT	REV: J
CUSTOMER DRAWING		SCALE: 4:1 SHEET: 2 OF 2 REV: J	