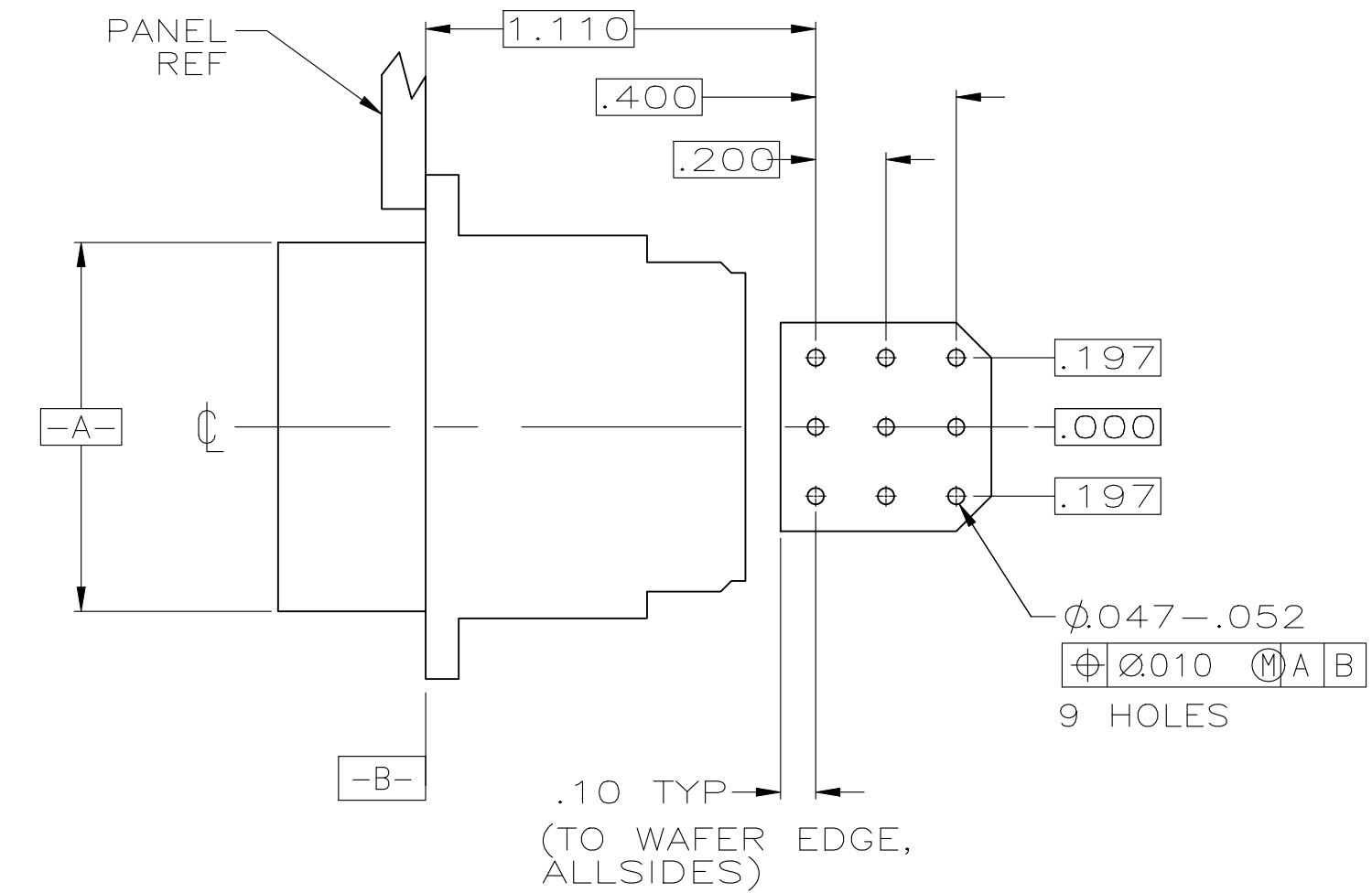
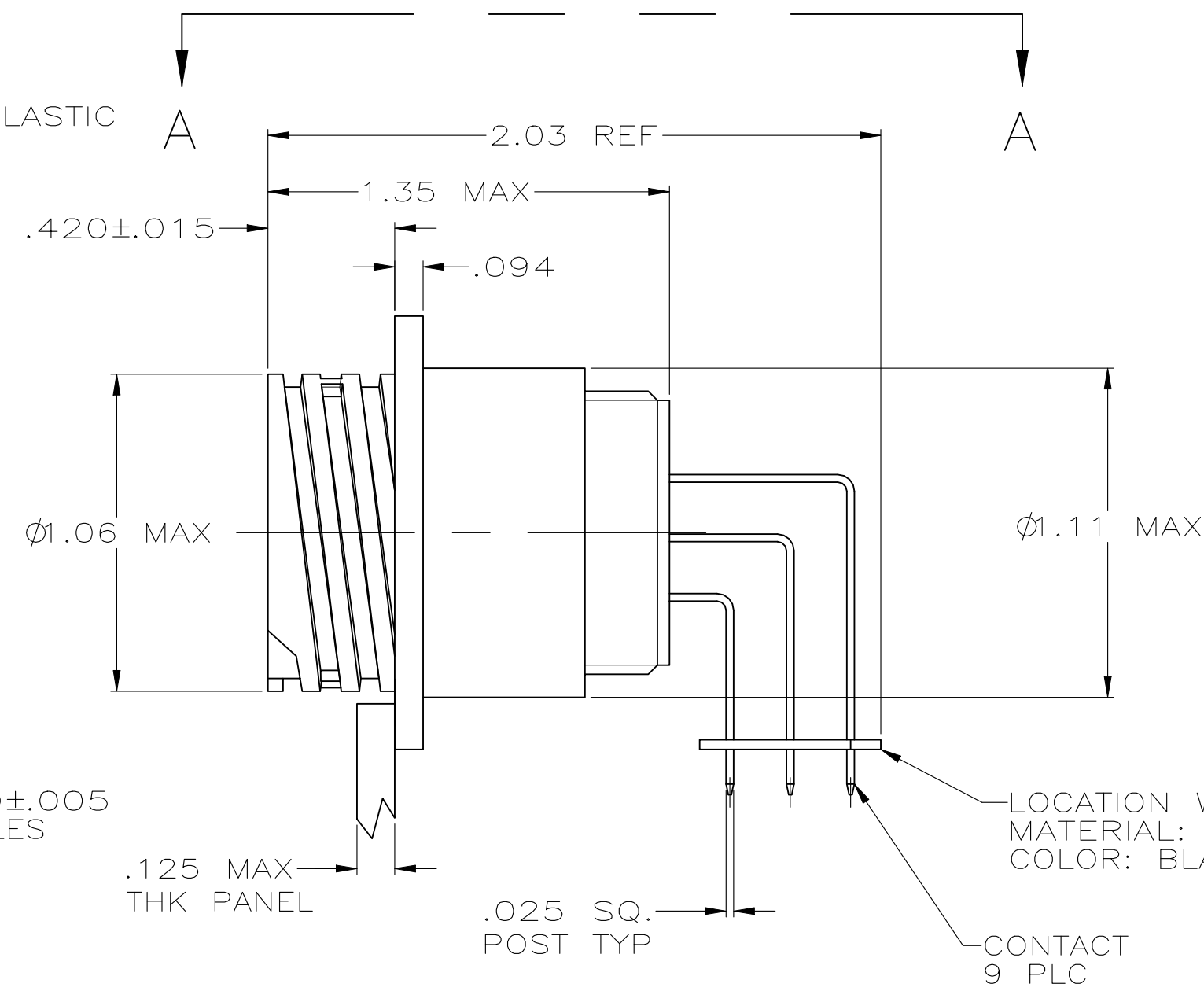
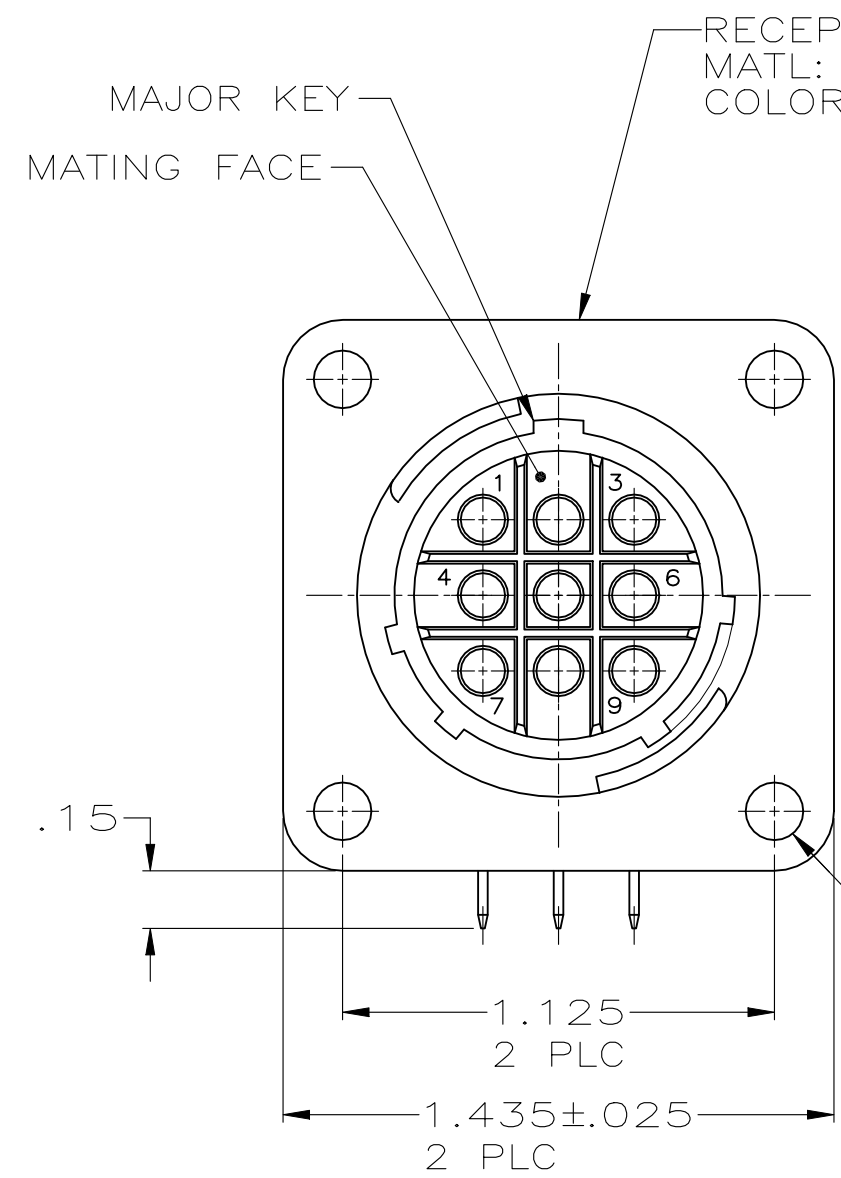
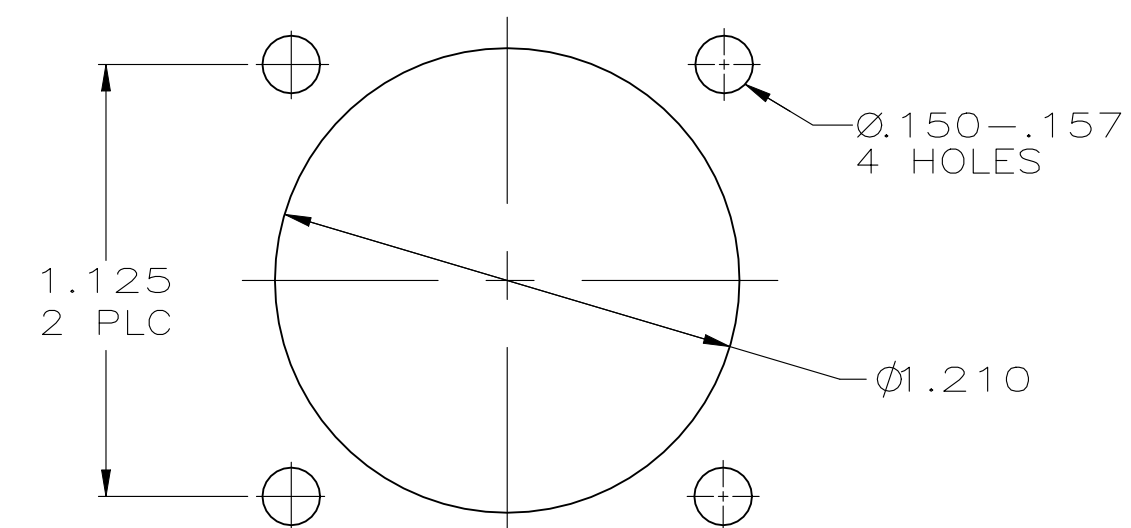


REVISIONS					
P	LTR	DESCRIPTION	DATE	DWN	APVD
B3		REVISED PER ECR-22-150475	26AUG2022	RK	MZ



VIEW A-A  $\triangle$   
RECOMMENDED PC BOARD LAYOUT



RECOMMENDED  
PANEL CUTOUT

- 1 CONTACT CAVITIES IDENTIFIED BY CHARACTERS ON FRONT AND REAR FACES OF CONNECTOR.
- 2 #6 FASTENER RECOMMENDED FOR MOUNTING.
- $\triangle$ 3 CONTACT BODY: .000030 MIN GOLD FOR A LENGTH OF .250 MIN FROM MATING END, WITH REMAINDER TO BE GOLD FLASH, BOTH OVER .000050 MIN NICKEL.  
CONTACT POST: .000100 MIN TIN-LEAD OVER .000050 MIN NICKEL.
- $\triangle$ 4 PC BOARD HOLE PATTERN IS DEFINED RELATIVE TO CONNECTOR C.L. AND PANEL MOUNTING FACE INDICATED.
- $\triangle$ 5 CONTACT BODY: .000030 MIN GOLD FOR A LENGTH OF .250 MIN FROM MATING END, WITH REMAINDER TO BE GOLD FLASH, BOTH OVER .000050 MIN NICKEL.  
CONTACT POST: .000100 MIN TIN OVER .000050 MIN NICKEL.

OBSOLETE	$\triangle$ 5	1-796497-1
	$\triangle$ 3	796497-1
	CONTACT FINISH	PART NUMBER

THIS DRAWING IS A CONTROLLED DOCUMENT.		DWN HAMNER 4-13-00																				
DIMENSIONS: INCHES		CHK M.CHACKO 4-18-00																				
TOLERANCES UNLESS OTHERWISE SPECIFIED:		APVD M.CHACKO 4-18-00	NAME																			
<table border="1"> <tr><td>0 PLC</td><td>±</td><td>-</td></tr> <tr><td>1 PLC</td><td>±</td><td>-</td></tr> <tr><td>2 PLC</td><td>±</td><td>.03</td></tr> <tr><td>3 PLC</td><td>±</td><td>.010</td></tr> <tr><td>4 PLC</td><td>±</td><td>-</td></tr> <tr><td>ANGLES</td><td>±</td><td>-</td></tr> </table>		0 PLC	±	-	1 PLC	±	-	2 PLC	±	.03	3 PLC	±	.010	4 PLC	±	-	ANGLES	±	-	PRODUCT SPEC	RECEPTACLE ASSY, POSTED, RT ANGLE, STD SEX, SIZE 17-9, SERIES 1, CPC	
0 PLC	±	-																				
1 PLC	±	-																				
2 PLC	±	.03																				
3 PLC	±	.010																				
4 PLC	±	-																				
ANGLES	±	-																				
MATERIAL		APPLICATION SPEC	SIZE	CAGE CODE																		
FINISH		WEIGHT	A2	00779																		
		CUSTOMER DRAWING	SCALE	DRAWING NO																		
			2:1	C=796497																		
			SHEET	RESTRICTED TO																		
			1 OF 1	-																		
			REV	B3																		