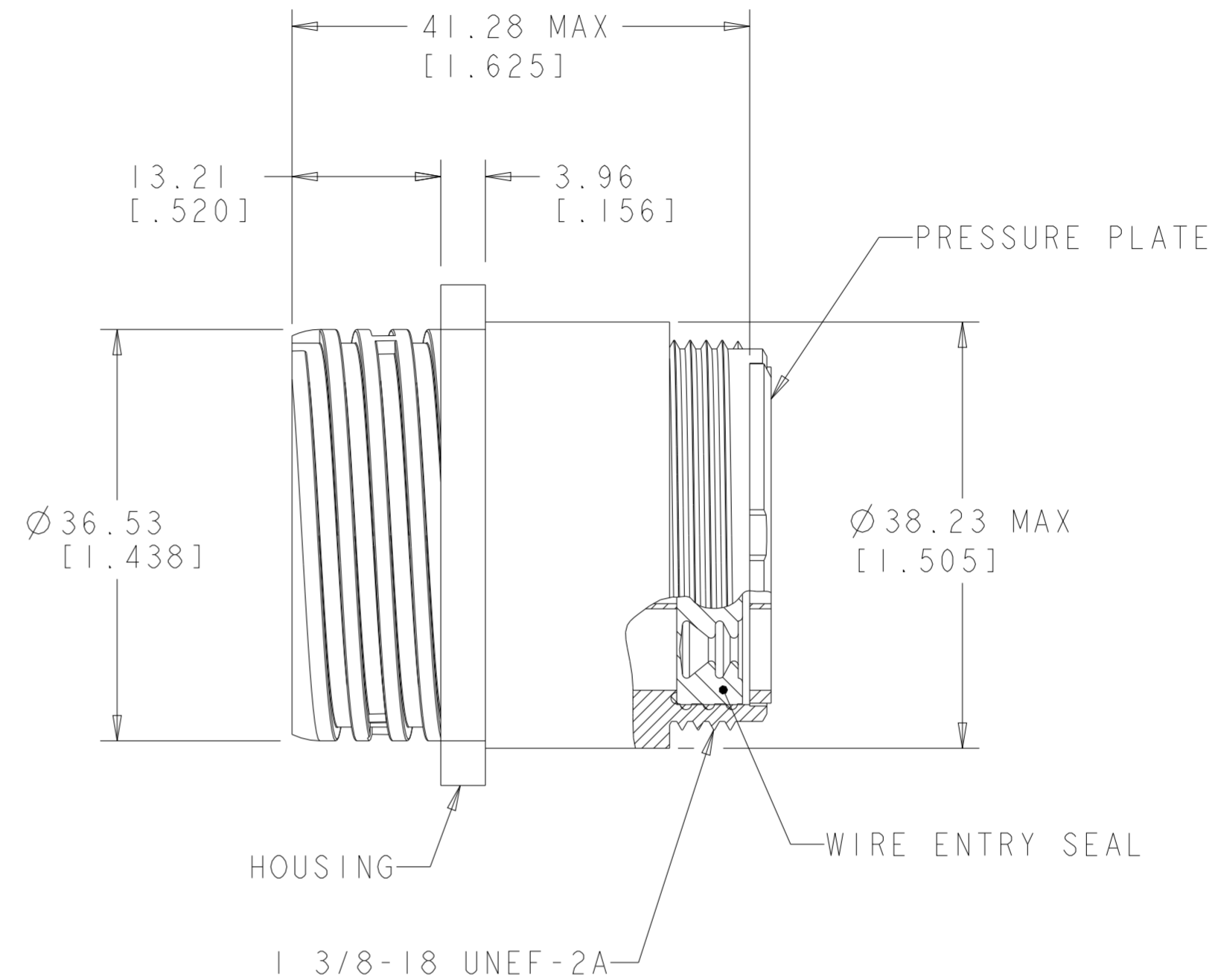
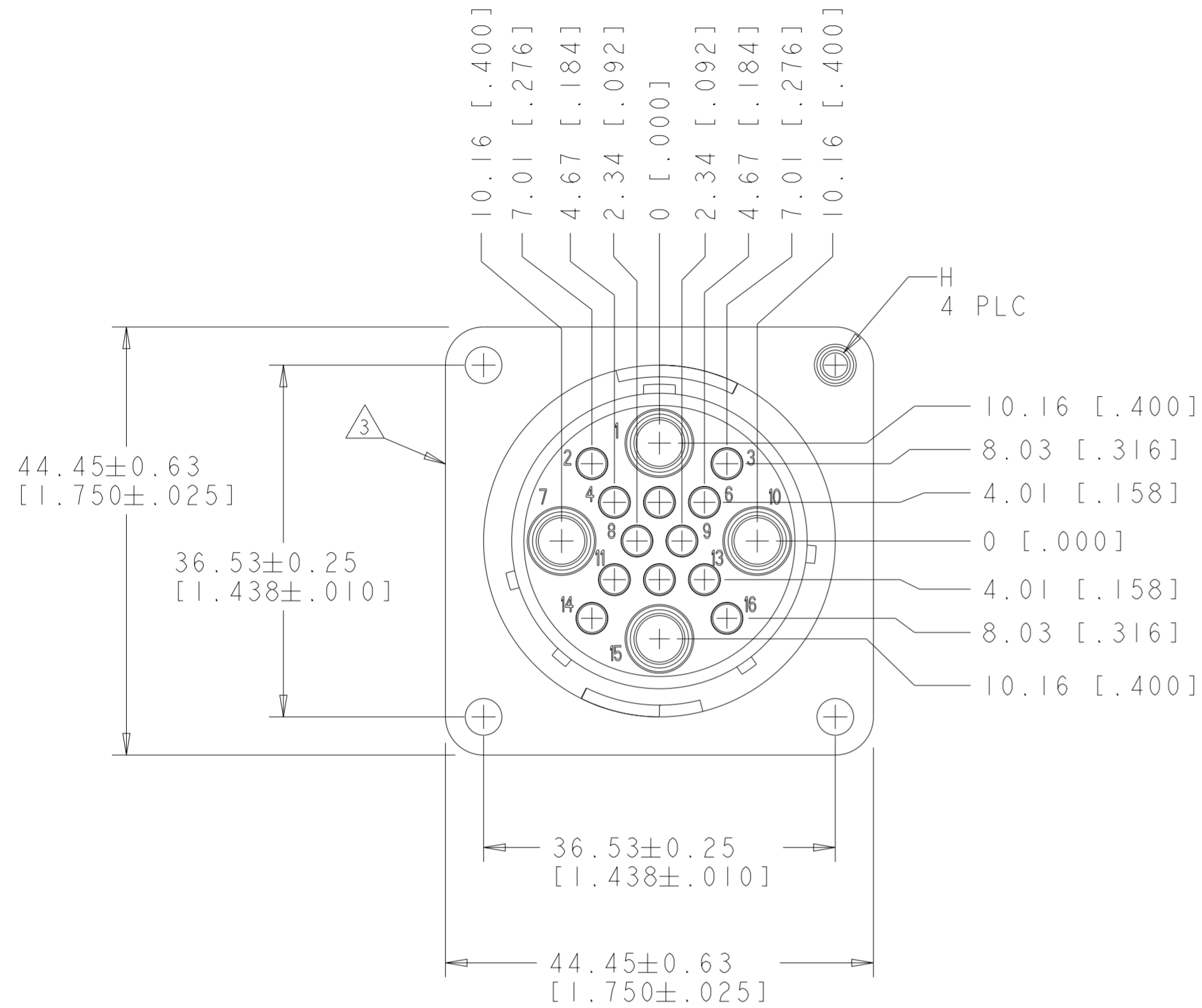
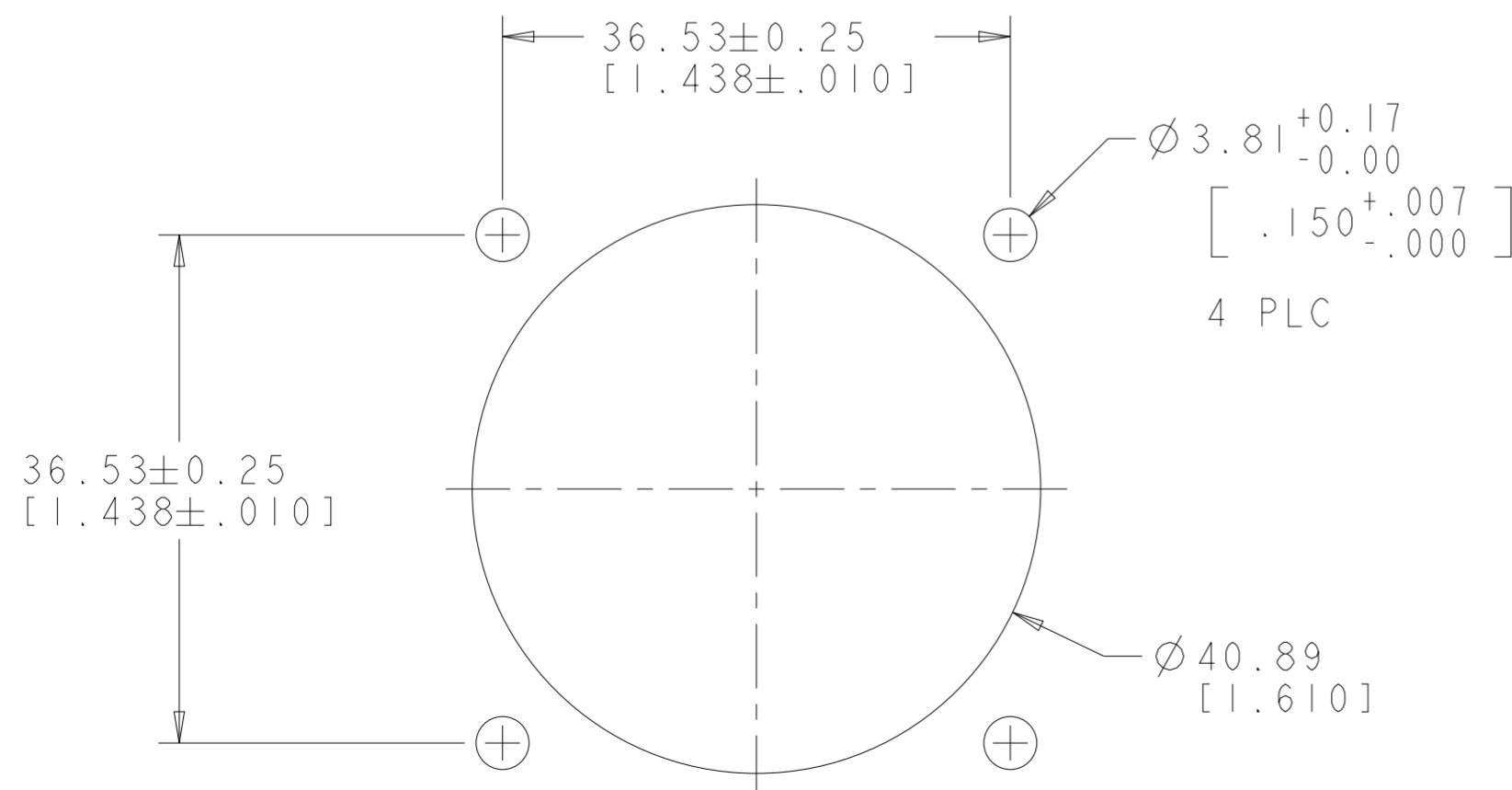


P	LTR	DESCRIPTION	DATE	DWN	APVD
	DI	REVISED PER ECN-23-199239	21FEB2023	RK	MZ



- 1 HOUSING & PRESSURE PLATE: NYLON, BLACK.
WIRE ENTRY SEAL: ELASTOMER, RED-IRON OXIDE.
PERIPHERAL SEAL: ELASTOMER, BLACK.
- 2. WILL ACCEPT (12) MULTIMATE PINS AND (4) POWER MALE CONTACTS.
- 3 TE LOGO AND PART NUMBER LOCATED ON ANY FLANGE EDGE



RECOMMENDED PANEL CUTOUT

OBSOLETE	POWER	3.81 ± 0.07 [.150 ± .003]	796466-3
	STD	W/ THREADED INSERTS	796466-2
	STD	3.81 ± 0.07 [.150 ± .003]	796466-1
	WIRE ENTRY SEAL	H	PART NUMBER

THIS DRAWING IS A CONTROLLED DOCUMENT.		DWN S. WELDON 10MAY00	STE TE Connectivity	
DIMENSIONS: mm [INCHES]		CHK K. DOWHOWER 10MAY00		
TOLERANCES UNLESS OTHERWISE SPECIFIED:		APVD K. DOWHOWER 10MAY00	NAME RECEPTACLE ASSY, SERIES 6, STANDARD SEX, SIZE 23-16, CIRCULAR PLASTIC CONNECTOR	
0 PLC ±		PRODUCT SPEC 108-1579	SIZE CAGE CODE DRAWING NO RESTRICTED TO	
1 PLC ±		APPLICATION SPEC -	A200779 C-796466	
2 PLC ±0.02		WEIGHT -	SCALE 2:1 SHEET 1 OF 1 REV DI	
3 PLC ±		CUSTOMER DRAWING		
4 PLC ±				
ANGLES ±				
FINISH				