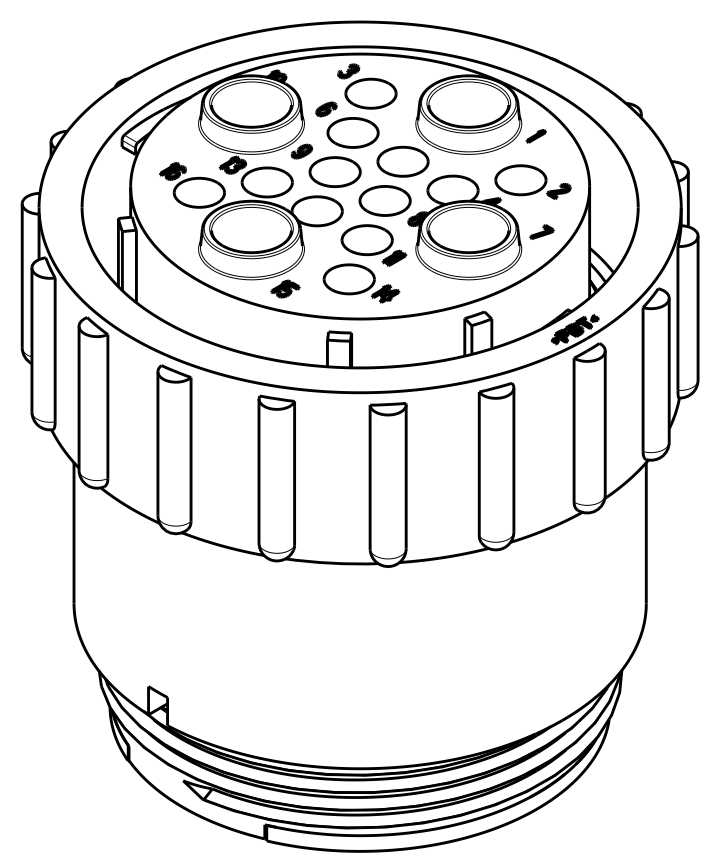
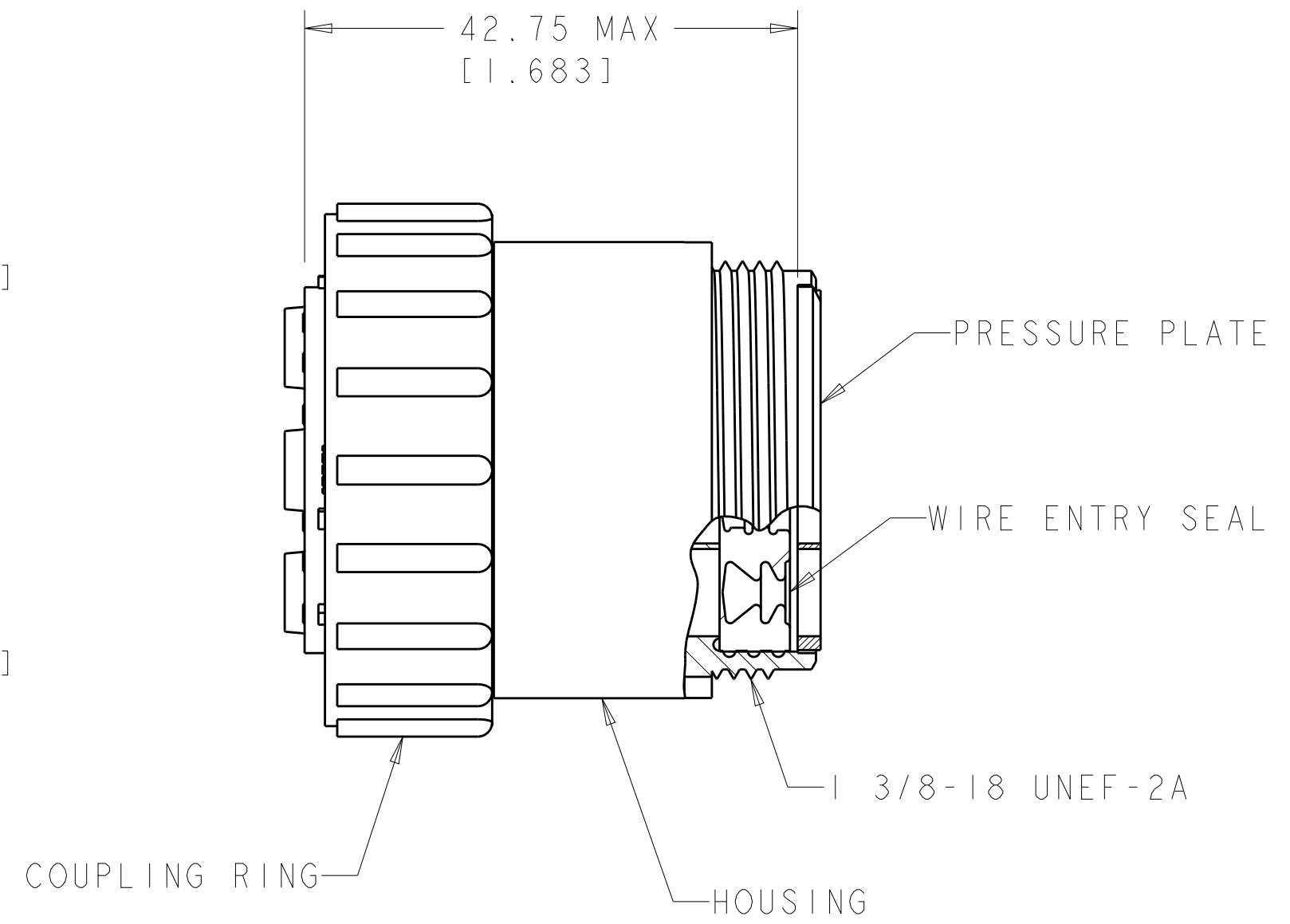
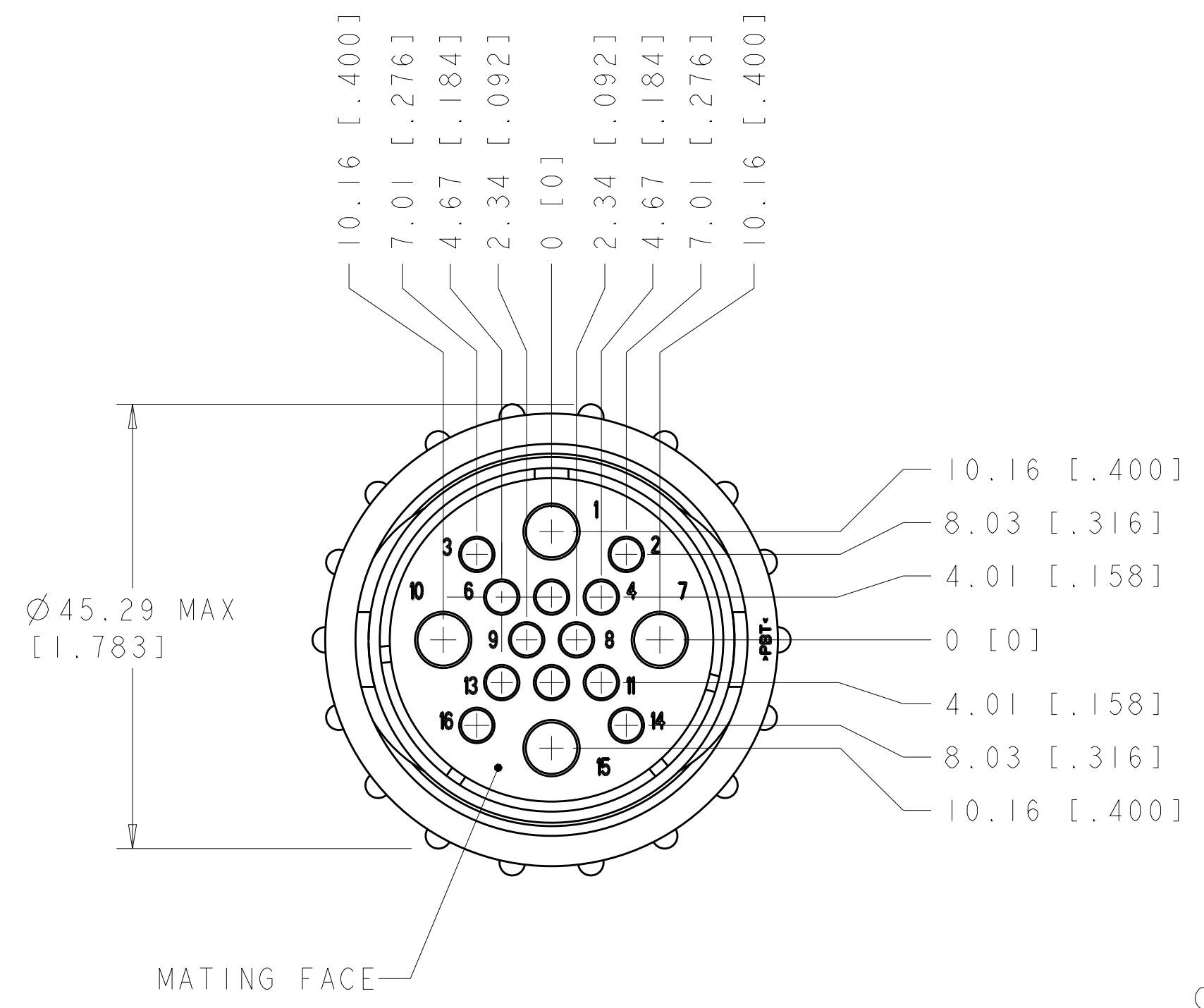


THIS DRAWING IS UNPUBLISHED. RELEASED FOR PUBLICATION
 © COPYRIGHT copyright.d8te- ALL RIGHTS RESERVED.

REVISIONS				
P	LTR	DESCRIPTION	DATE	APVD
	B1	REVISED PER ECO-16-004800	12SEP2016	NK MZ



- 1. HOUSING & PRESSURE PLATE: NYLON, BLACK.
WIRE ENTRY SEAL: ELASTOMER, RED-IRON OXIDE.
COUPLING RING: POLYESTER, BLACK.
- 2. CONNECTOR WILL ACCEPT (12) MULTIMATE SOCKET AND (4) POWER SOCKET CONTACTS.

OBSOLETE	POWER	-796203-2-
	STD	796203-1
	WIRE ENTRY SEAL	PART NUMBER

THIS DRAWING IS A CONTROLLED DOCUMENT.		DWN S. WELDON 30AUG1999	STE TE Connectivity		
DIMENSIONS: mm [INCHES]		CHK K. DOWHOWER 30AUG1999			
TOLERANCES UNLESS OTHERWISE SPECIFIED:		APVD K. DOWHOWER 30AUG1999	NAME PLUG ASSEMBLY, SERIES 6, STANDARD SEX, SIZE 23-16, CIRCULAR PLASTIC CONNECTOR		
0 PLC ± 1 PLC ± 2 PLC ±0.02 3 PLC ± 4 PLC ± ANGLES ± FINISH -		PRODUCT SPEC 108-1579	SIZE A2	CAGE CODE C-796203	RESTRICTED TO -
MATERIAL 1		APPLICATION SPEC -	SCALE 2:1	SHEET 1	REV B1
CUSTOMER DRAWING					