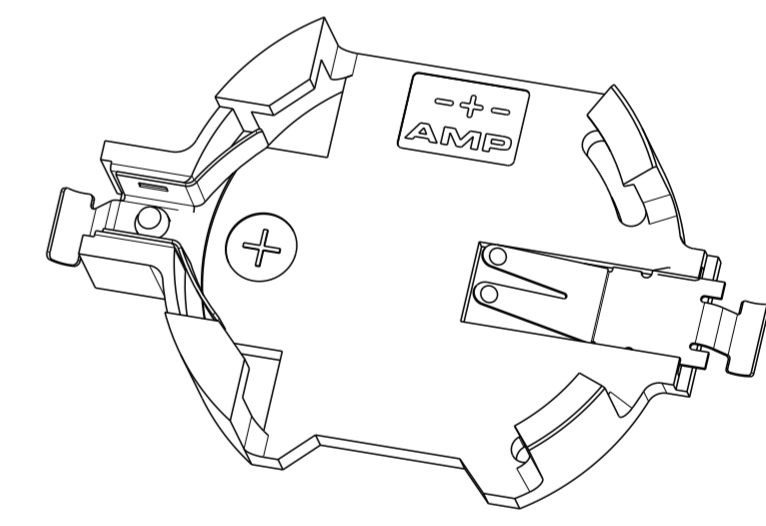
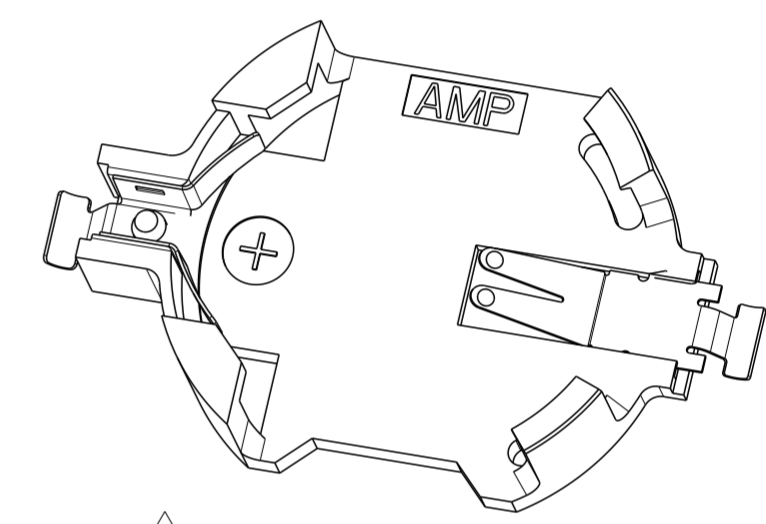
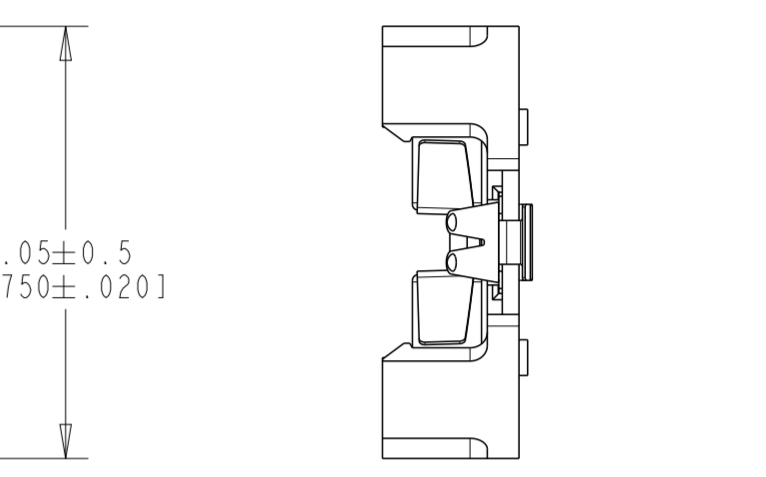
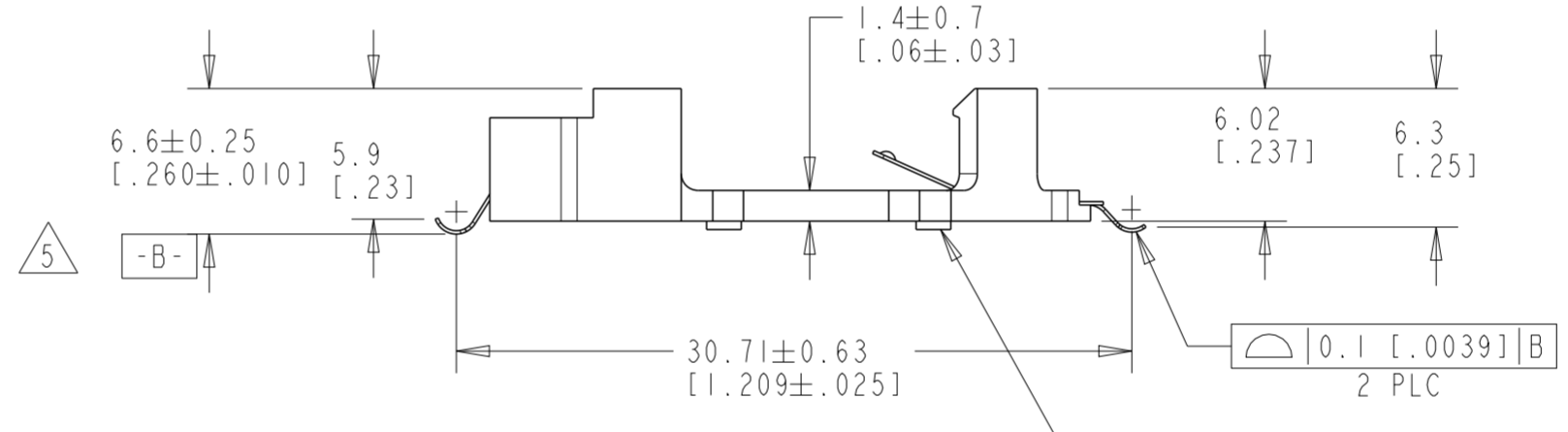
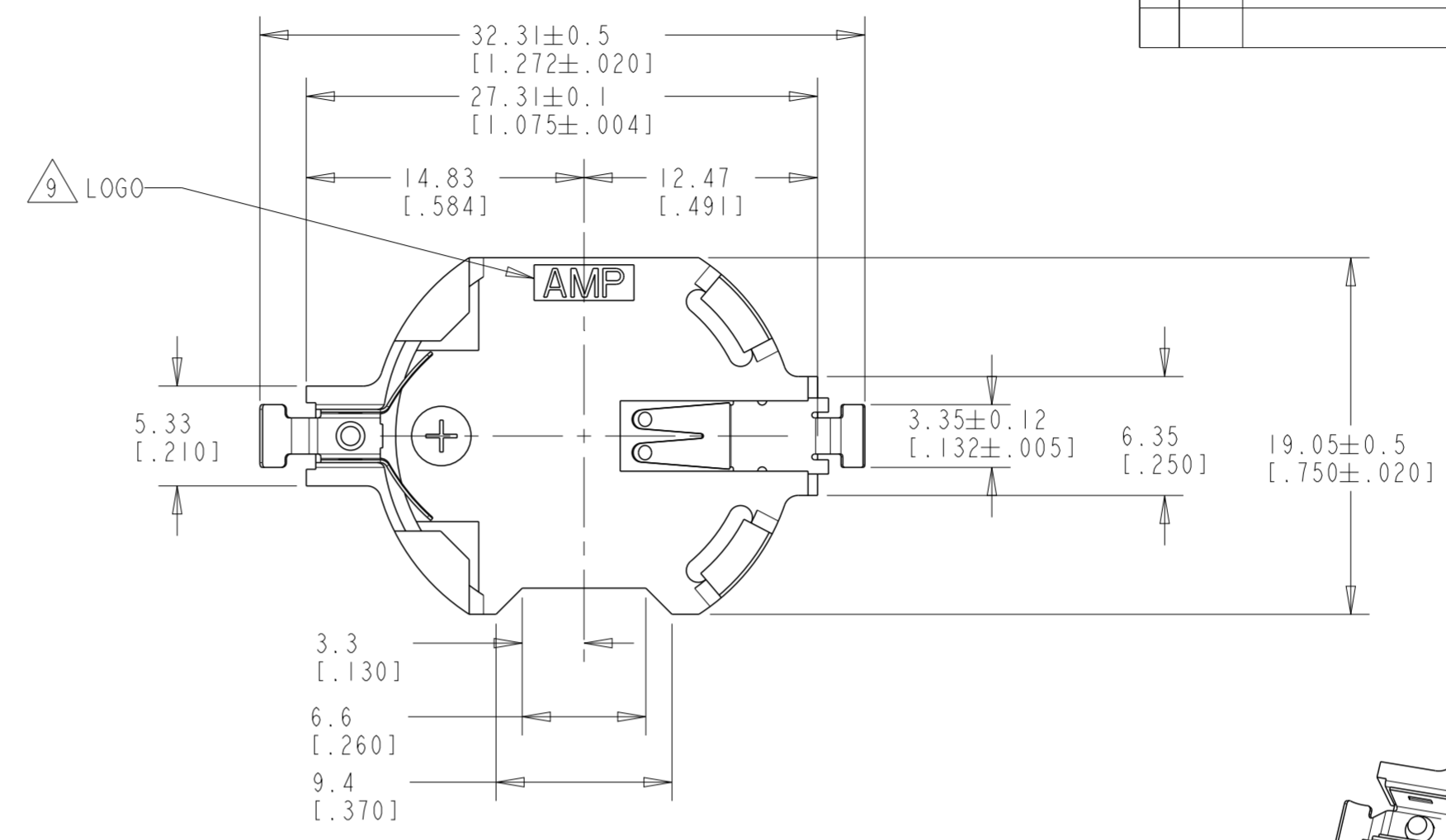
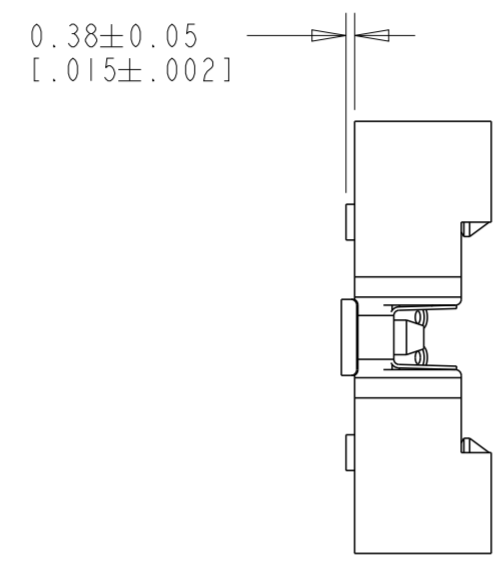
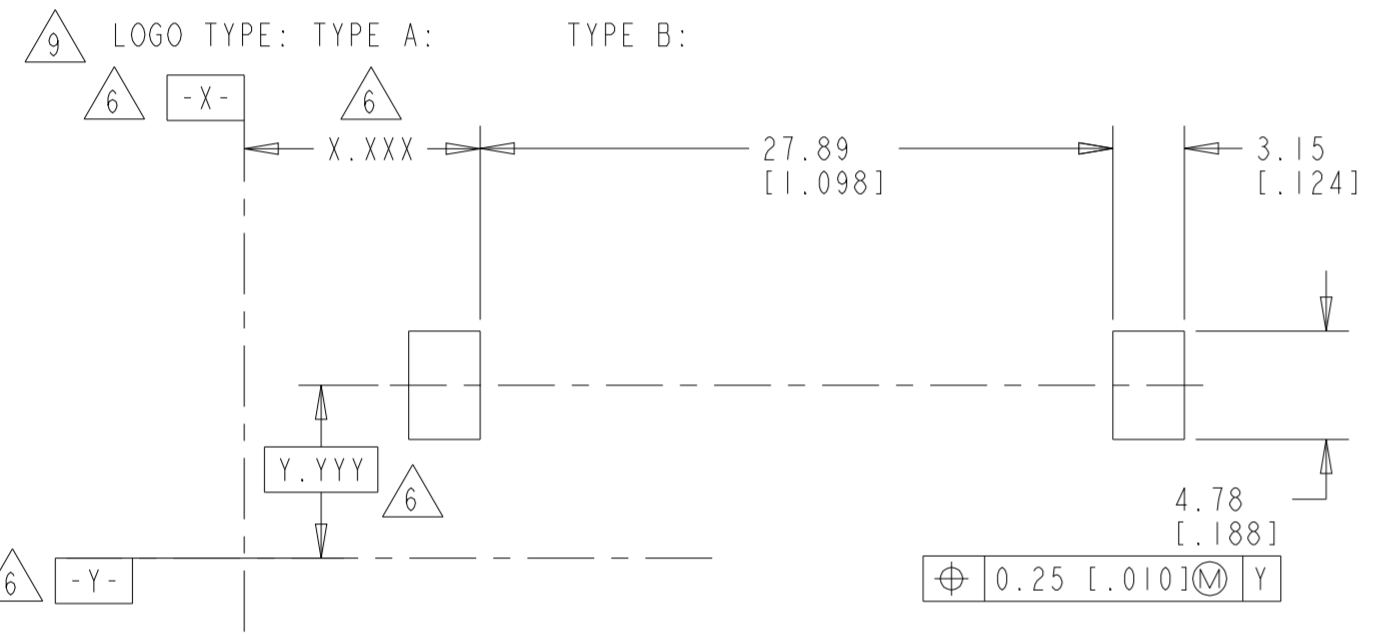


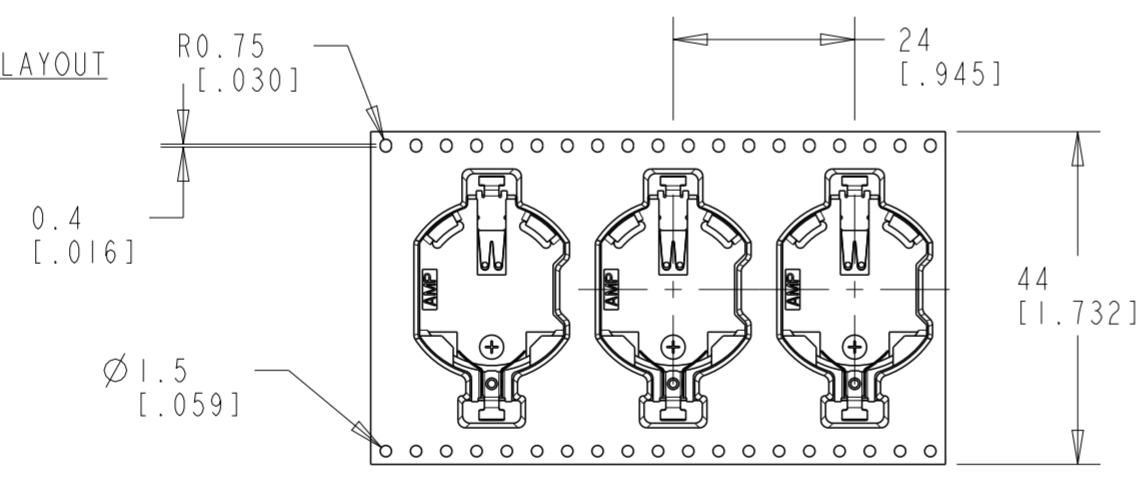
THIS DRAWING IS UNPUBLISHED. RELEASED FOR PUBLICATION
 © COPYRIGHT copyright dbTe- ALL RIGHTS RESERVED.

REVISIONS				
P	LTR	DESCRIPTION	DATE	APVD
G7		REVISED ECN-23-222788	08DEC2023	J. J. H. L.

- 1 HOUSING: HIGH TEMPERATURE 94V-0 RATED, LCP, COLOR NATURAL.
- CONTACTS: PHOSPHOR BRONZE.
- 2 CONTACTS: 0.00200-0.00400[.000080-.000157] BRIGHT TIN.
- 3. CONNECTOR ACCEPTS BATTERY CR2032.
- 4. PACKAGING: TAPE AND REEL.
TAPE & SPROCKET HOLES DIMENSIONS PER EIA-481-3 WITH 330.0 [13.0] DIA. CARDBOARD SIDES
- 5 DATUM -B- IS ESTABLISHED BY ANY CONTACT OR HOUSING SURFACES CONTACTING A REFERENCE PLANE.
- 6 DATUMS AND DIMENSIONS ESTABLISHED BY CUSTOMER.
- 7 CONTACT FINISHED:
Ni 0.00125[.000050] MIN OVER ALL
MATTE TIN 0.00254[.000100] MIN OVER ALL.
- 8 CONTACT FINISHED:
Ni 0.00125[.000050] MIN OVER ALL
MATTE TIN 0.00254[.000100] MIN ON SOLDER AREA.
Au PLATING 0.000125[.000005] MIN ON CONTACT AREA.

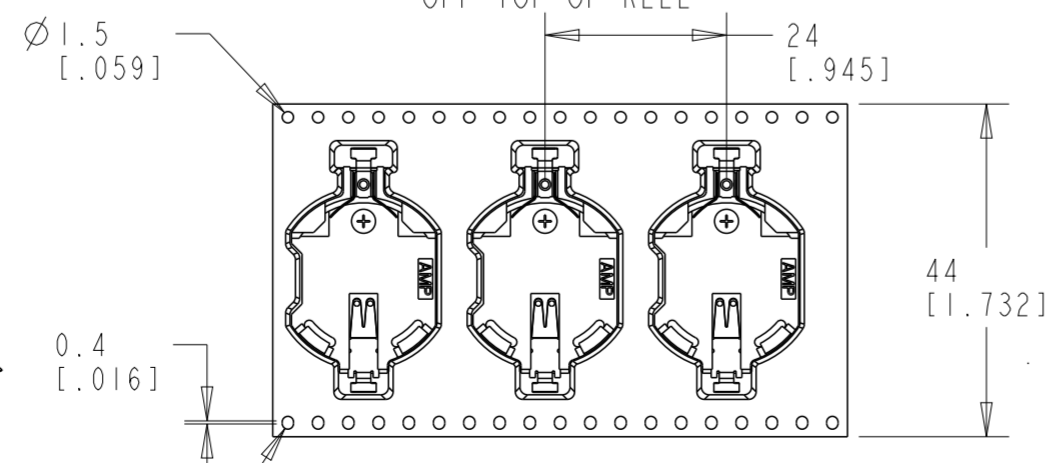


RECOMMENDED PC BOARD LAYOUT



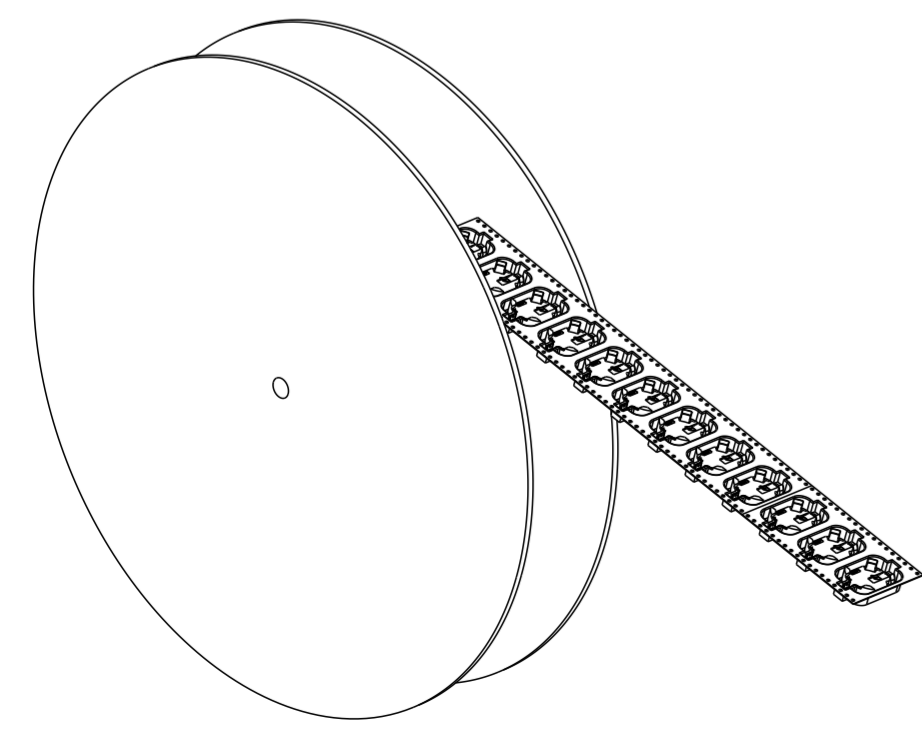
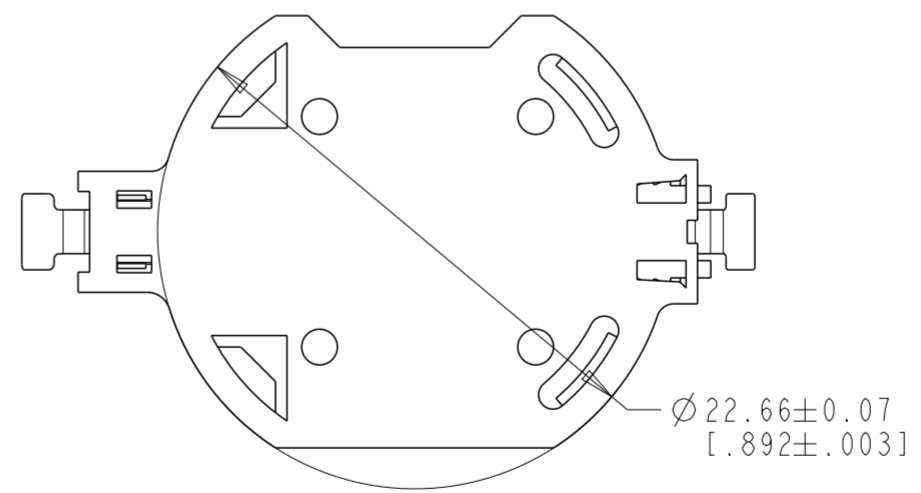
DIRECTION FOR PART NUMBER 796136-1, -3, -5

DIRECTION OF FEED OFF TOP OF REEL



DIRECTION FOR PART NUMBER 796136-2, -4, -6

DIRECTION OF FEED OFF TOP OF REEL



796136-5 AND 796136-6	8
796136-3 AND 796136-4	7
796136-1 AND 796136-2	2
PART NUMBER	

THIS DRAWING IS A CONTROLLED DOCUMENT.		DWN J. GERACE 13AUG99	TE Connectivity	NAME ASSEMBLY BATTERY CONNECTOR, SURFACE MOUNT, TOP LOAD	
DIMENSIONS: mm [INCHES]		CHK K. BENJAMIN 13AUG99		SIZE A2	
TOLERANCES UNLESS OTHERWISE SPECIFIED:		APVD K. BENJAMIN 13AUG99		CAGE CODE 00779	
0 PLC ±0.5 [0.02]		PRODUCT SPEC 108-1691		DRAWING NO C-796136	
1 PLC ±0.13 [0.005]		APPLICATION SPEC	RESTRICTED TO		
2 PLC ±0.050 [0.0020]		WEIGHT -	SCALE 3:1		
3 PLC ±		CUSTOMER DRAWING	SHEET 1 OF 1		
4 PLC ANGLES ±5		FINISH	REV G7		