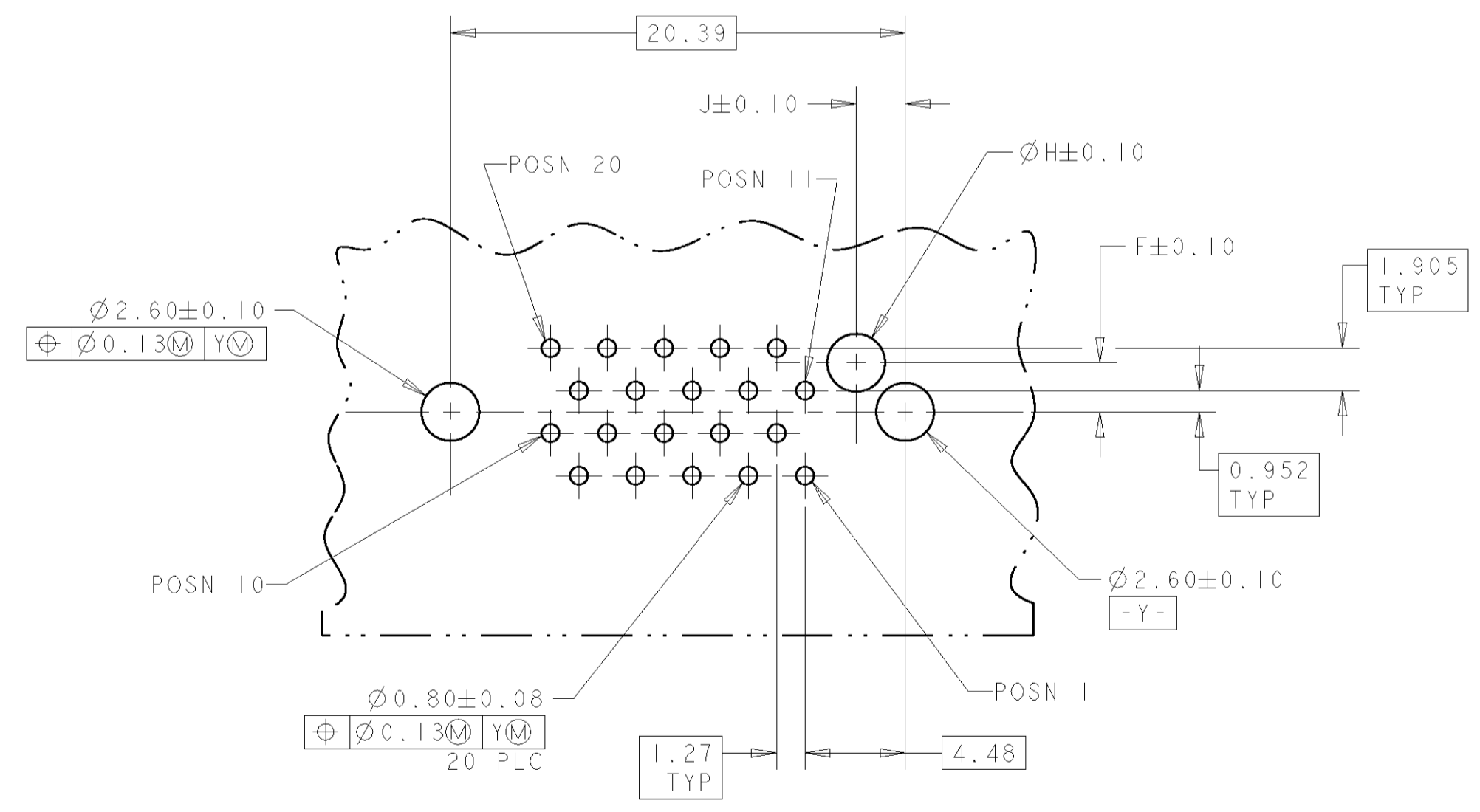
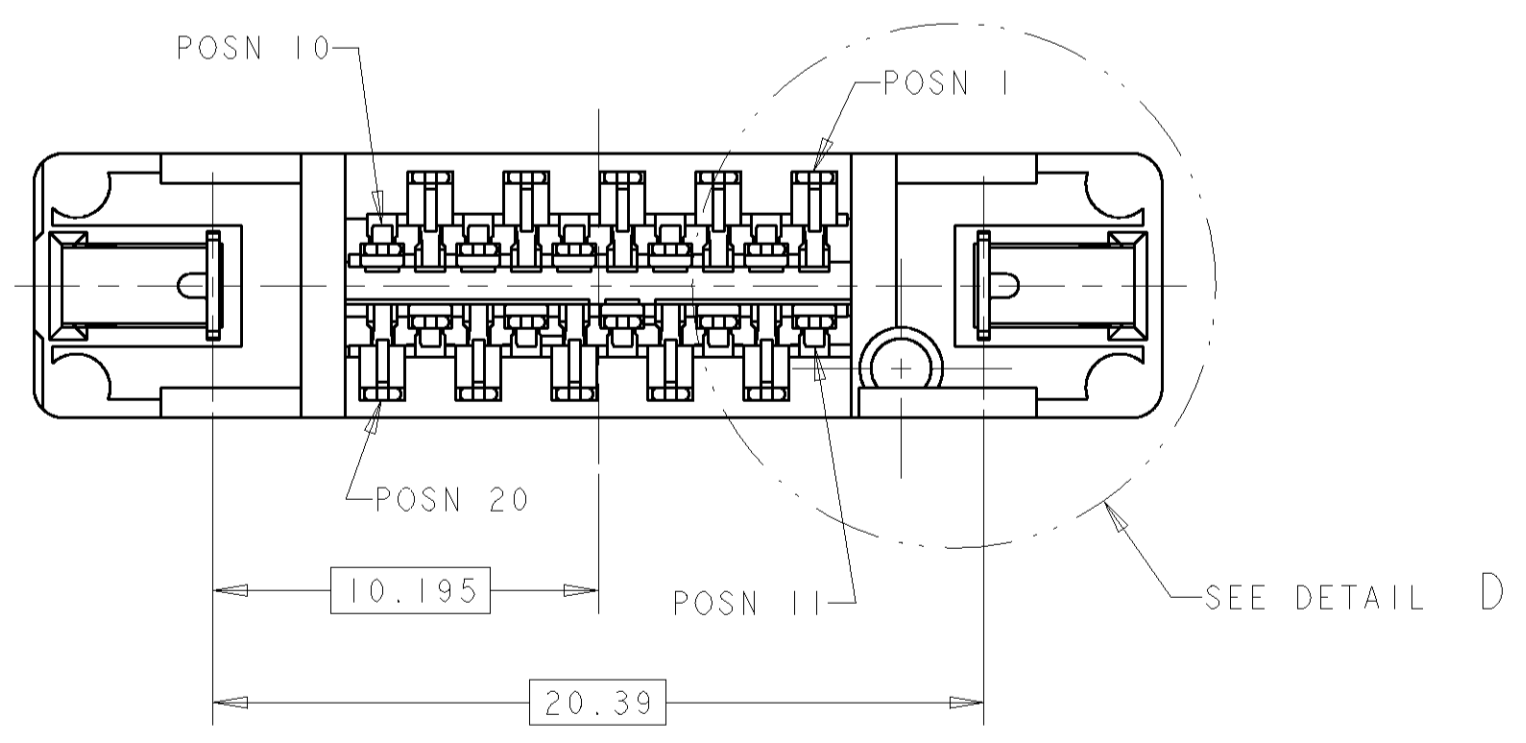
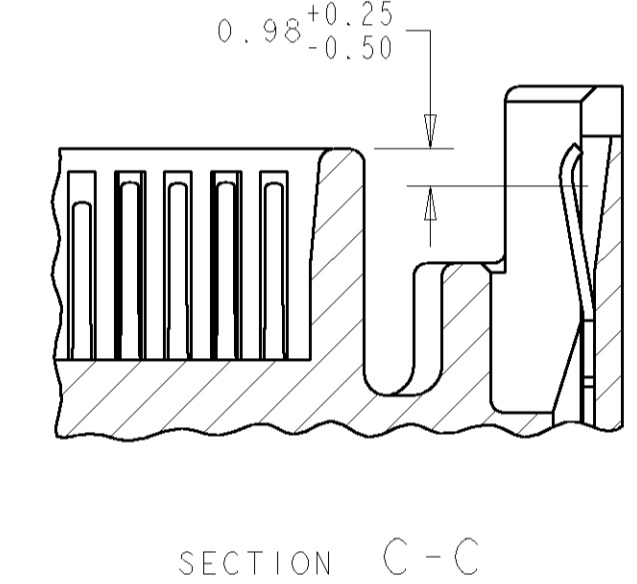
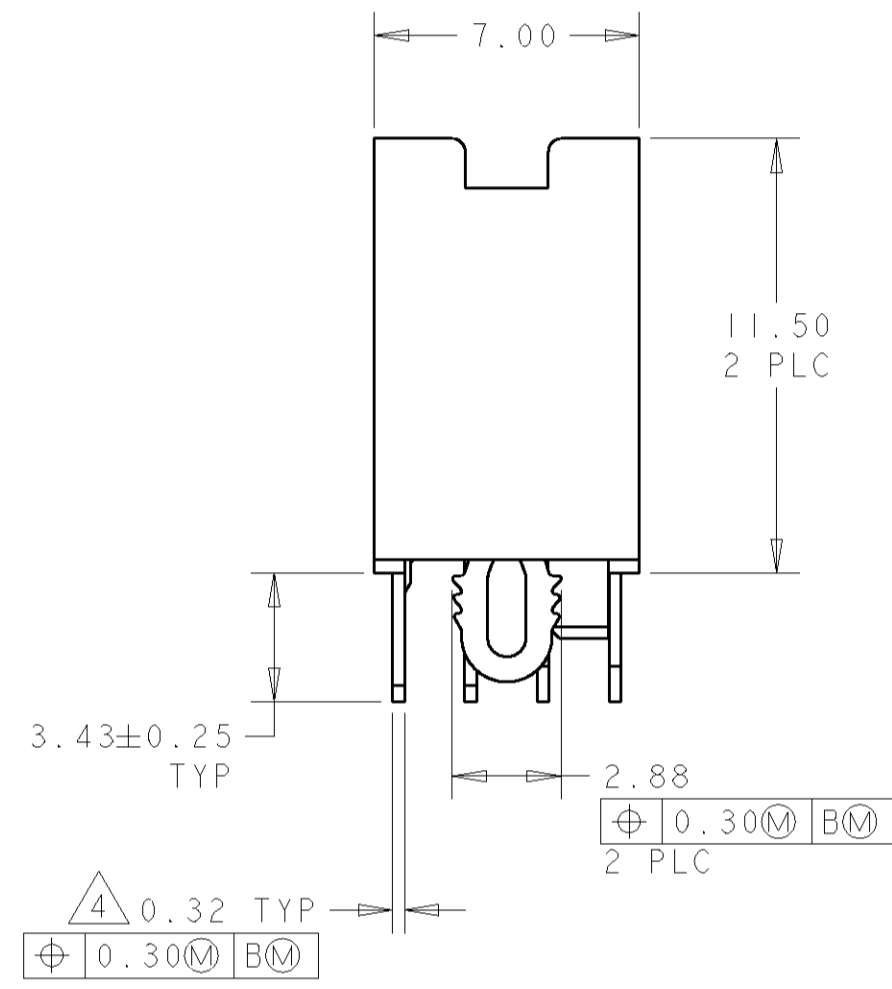
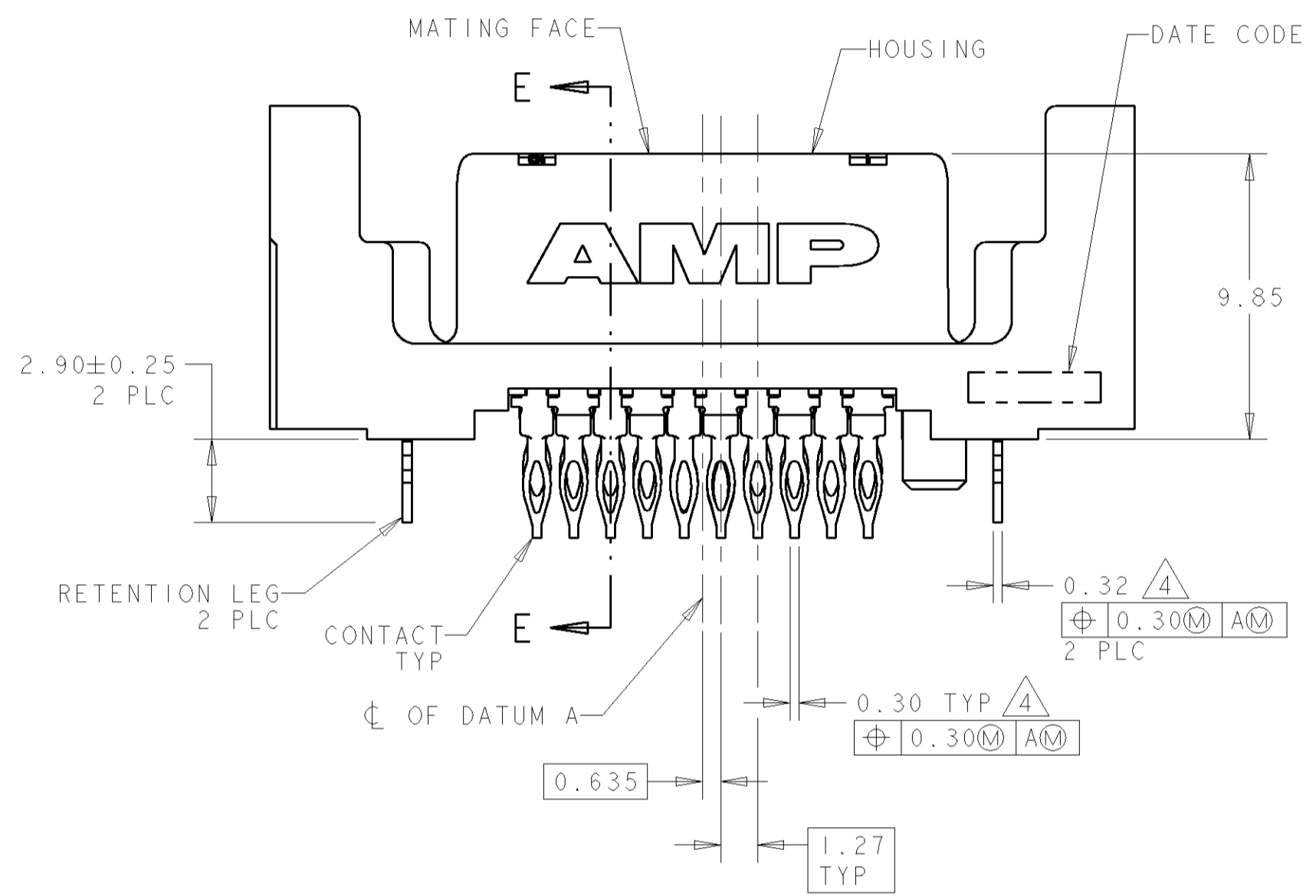
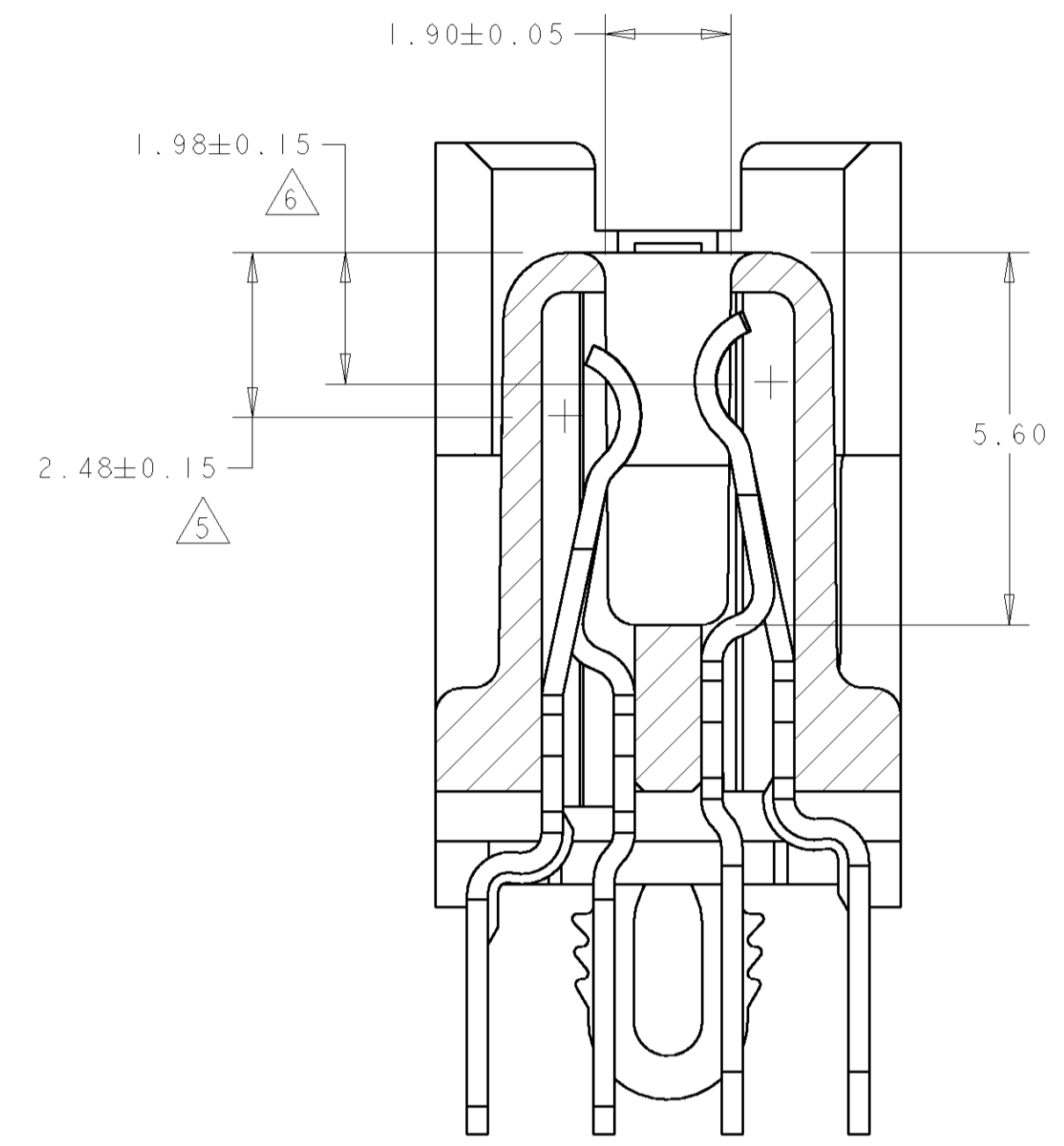
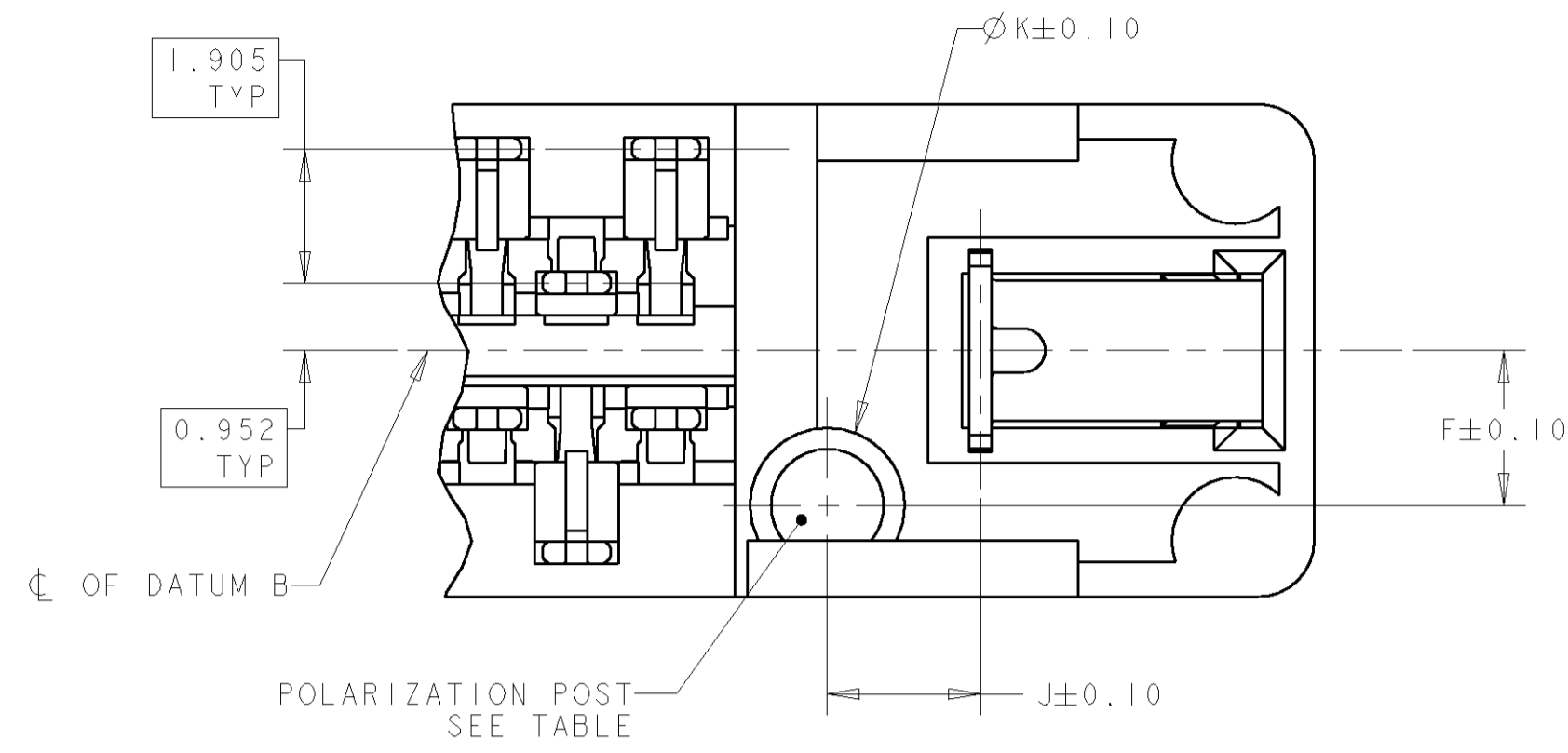
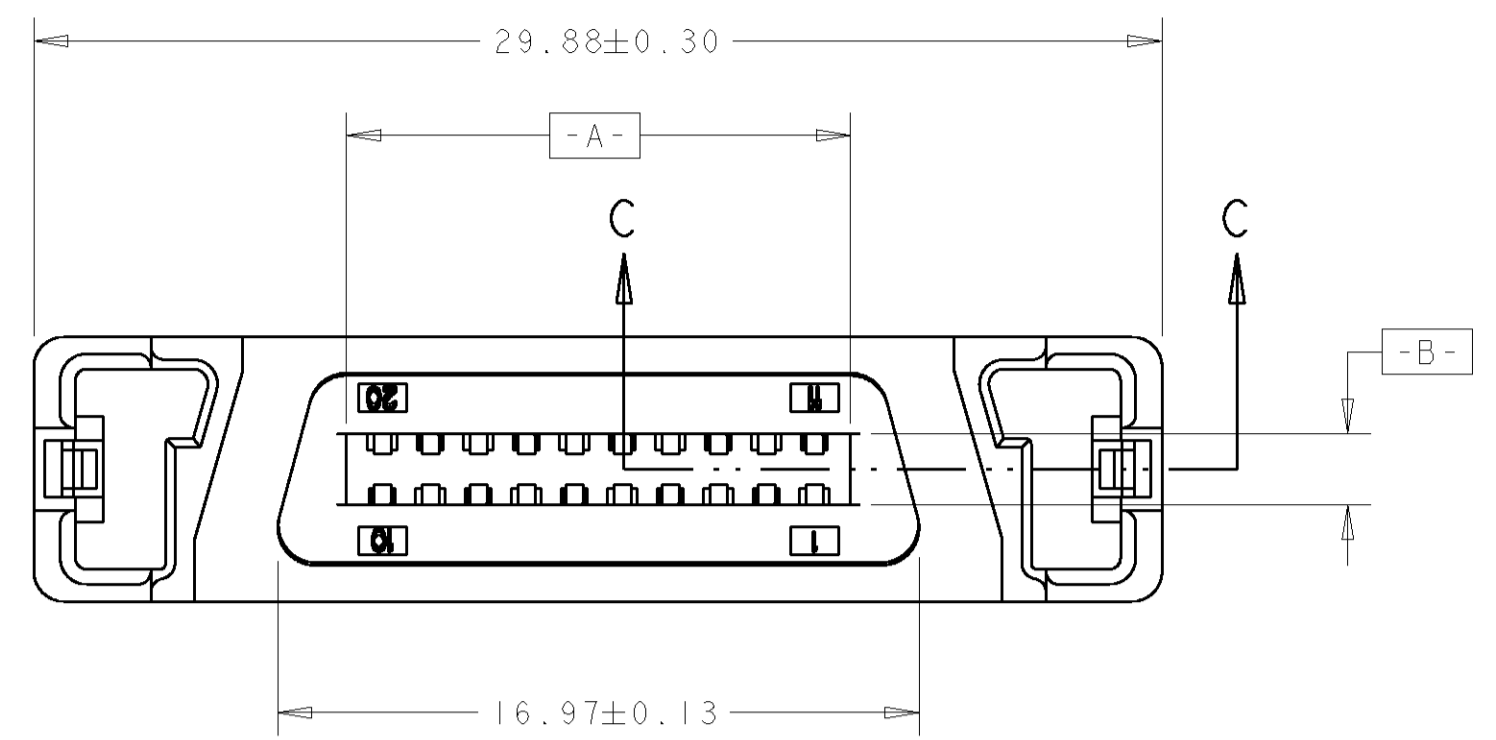


LOC	DIST	REVISIONS			
F	LTR	DESCRIPTION	DATE	DWN	APPR
D		REVISED PER EC 0513-0417-03	11MAR2004	RWS	JG
E		REVISED PER EC 0513-0543-04	12MAY05	JG	SS
E1		REV PER ECO-06-010223	02AUG2006	EDB	EDB



RECOMMENDED PC BOARD MOUNTING DIMENSIONS COMPONENT SIDE SCALE 4:1

- 1 HOUSING: LCP, UL 94V-0 RATED, BLACK. CONTACTS: PHOSPHOR BRONZE. RETENTION LEGS: BRASS.
- 2 CONTACTS: 0.76µm MIN GOLD FOR A LENGTH OF 1.20 MIN STARTING 0.50 MAX FROM MATING END, 1.27µm-3.81µm TIN-LEAD FOR A LENGTH OF 3.43 MIN FROM OPPOSITE END, BOTH OVER 1.27µm MIN NICKEL.
- 3 RETENTION LEGS: 3.81µm MIN TIN-LEAD OVER 1.27µm MIN NICKEL.
- 4 POSITION TOLERANCE APPLIES AT CONTACT TIP ONLY.
- 5 CONTACTS 1 THRU 10, 15 AND 16 ARE POSITIONED AWAY FROM THE MATING FACE. (SECOND MATE)
- 6 CONTACTS 11 THRU 14 AND 17 THRU 20 ARE POSITIONED TOWARD THE MATING FACE. (FRIST MATE)
- 7 RECOMMENDED PC BOARD THICKNESS IS 2.36 TO 3.81.
- 8 CONTACTS: 0.76µm MIN GOLD FOR A LENGTH OF 1.20 MIN STARTING 0.50 MAX FROM MATING END, 3.81µm MIN MATTE TIN FOR A LENGTH OF 3.43 MIN FROM OPPOSITE END, BOTH OVER 1.27µm MIN NICKEL.
- 9 RETENTION LEGS: 3.81µm MIN HALT TIN.

FINISH	K	J	H	F	POLARIZATION POST	PART NUMBER
8	2.20	2.19	2.60	2.20	YES	796067-3
9	-	-	-	-	NO	796067-2
2	2.20	2.19	2.60	2.20	YES	796067-1

SUPERCEDED BY 796067-3

DIMENSIONS: mm		TOLERANCES UNLESS OTHERWISE SPECIFIED:		DWN: R. FOLTZ 27AUG97		AMP Incorporated Harrisburg, PA 17105-3608	
0 PLC	±	0 PLC	±0.10	CHK: J. SWANK 08SEP97	NAME: RECEPTACLE ASSEMBLY, VERTICAL, 20 POSITION, PRESS FIT, CHAMP™ BLINDMATE .050 SERIES 1		
1 PLC	±	1 PLC	±	APPR: J. SWANK 08SEP97	PRODUCT SPEC: 108-1548		
2 PLC	±	2 PLC	±	APPLICATION SPEC: 114-6061			
3 PLC	±	3 PLC	±	MATERIAL: SEE TABLE			
4 PLC	±	4 PLC	±	WEIGHT: -			
5 PLC	±	5 PLC	±	CUSTOMER DRAWING			
6 PLC	±	6 PLC	±	SCALE: 5:1 SHEET 1 OF 1 REV E1			