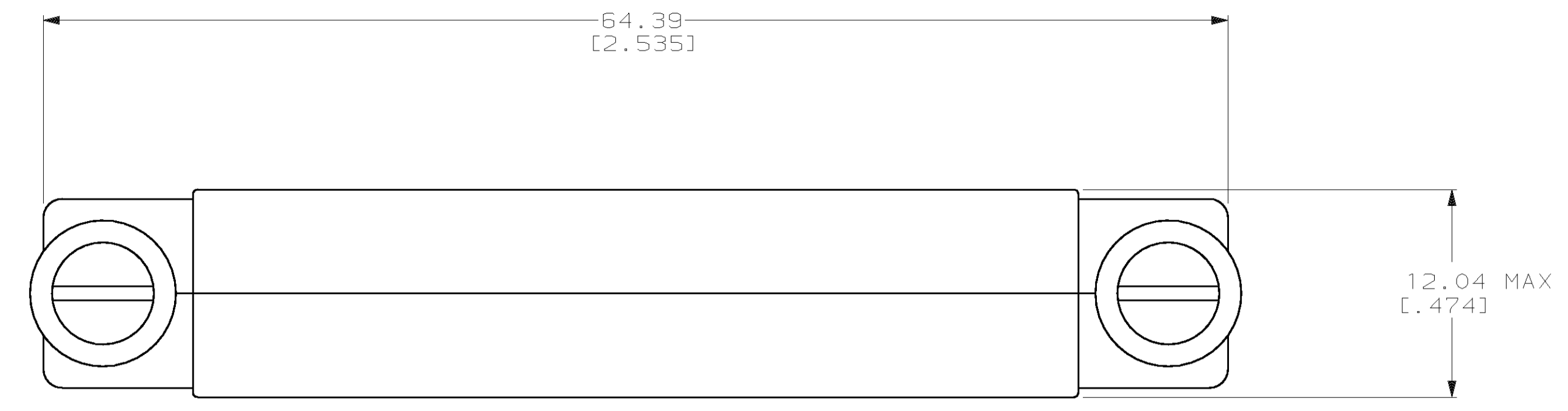
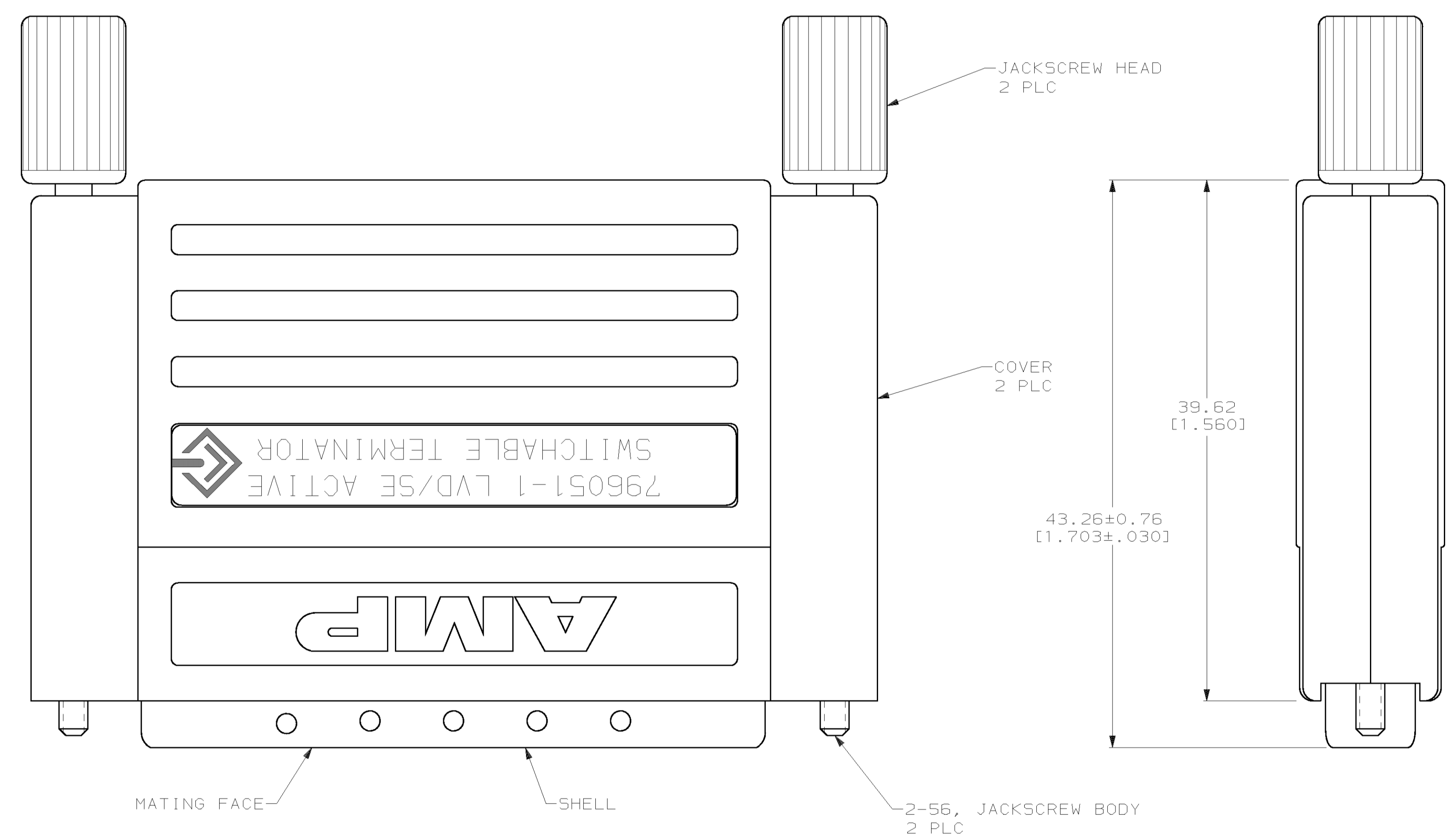


LOC	DIST	REVISIONS			
F	CHR	DESCRIPTION	DATE	OWN	APVD
0		RLSE -1 PER NPR 87, WAS 97-4163-20	19 FEB 98	DB	JV
A		REV PER EC 0G40-147-98	22 MAY 98	PB	PR
B		REV PER EC 0S1A-0168-00	23 JUN 00	NF	MG

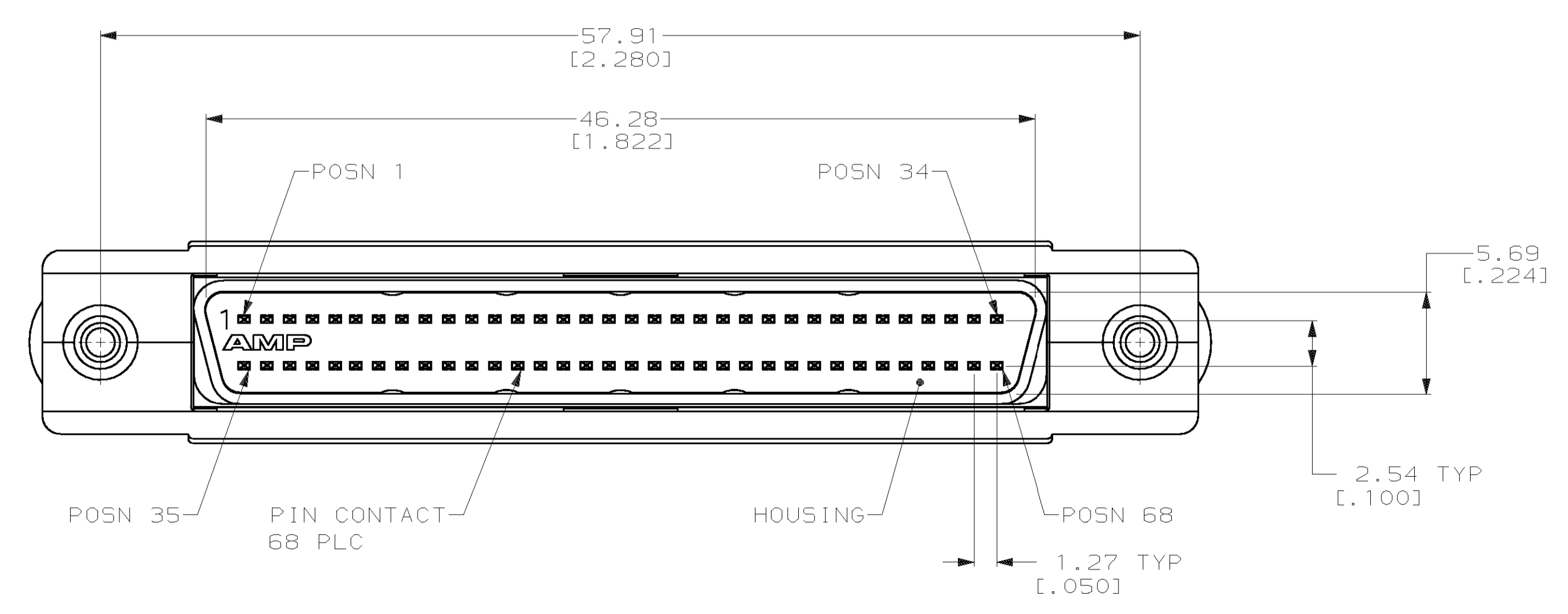


⚠️ SHELL: CARBON STEEL; PIN CONTACT: PHOSPHOR BRONZE; HOUSING: POLYESTER, BLACK; PCB: PLASTIC LAMINATE, FR4 GRADE.
 JACKSCREW BODY: STAINLESS STEEL; JACKSCREW HEAD: PVC, BEIGE; COVER: ABS, GRAY; SHIELD: COPPER.
 ⚠️ SHELL: 5.08µm[.000200] MIN TIN-NICKEL OVER 1.27µm[.000050] MIN COPPER.
 CONTACTS: 0.76µm[.000030] MIN GOLD FOR A LENGTH OF 3.35[.132] MIN FROM MATING END OVER 1.27µm[.000050] MIN NICKEL.
 JACKSCREW BODY: PASSIVATED.



SIGNAL NAME (SINGLE-ENDED MODE)	SIGNAL NAME (LVD MODE)	CONNECTOR CONTACT NUMBER	SIGNAL NAME (LVD MODE)	SIGNAL NAME (SINGLE-ENDED MODE)
GROUND	+DB (12)	1	35	-DB (12)
GROUND	+DB (13)	2	36	-DB (13)
GROUND	+DB (14)	3	37	-DB (14)
GROUND	+DB (15)	4	38	-DB (15)
GROUND	+DB (P1)	5	39	-DB (P1)
GROUND	+DB (0)	6	40	-DB (0)
GROUND	+DB (1)	7	41	-DB (1)
GROUND	+DB (2)	8	42	-DB (2)
GROUND	+DB (3)	9	43	-DB (3)
GROUND	+DB (4)	10	44	-DB (4)
GROUND	+DB (5)	11	45	-DB (5)
GROUND	+DB (6)	12	46	-DB (6)
GROUND	+DB (7)	13	47	-DB (7)
GROUND	+DB (P)	14	48	-DB (P)
GROUND	GROUND	15	49	GROUND
GROUND	DIFFSENS	16	50	GROUND
TERMPWR	TERMPWR	17	51	TERMPWR
TERMPWR	TERMPWR	18	52	TERMPWR
OPEN	OPEN	19	53	OPEN
GROUND	GROUND	20	54	GROUND
GROUND	+ATN	21	55	-ATN
GROUND	GROUND	22	56	GROUND
GROUND	+BSY	23	57	-BSY
GROUND	+ACK	24	58	-ACK
GROUND	+RST	25	59	-RST
GROUND	+MSG	26	60	-MSG
GROUND	+SEL	27	61	-SEL
GROUND	+C/D	28	62	-C/D
GROUND	+REQ	29	63	-REQ
GROUND	+I/O	30	64	-I/O
GROUND	+DB (8)	31	65	-DB (8)
GROUND	+DB (9)	32	66	-DB (9)
GROUND	+DB (10)	33	67	-DB (10)
GROUND	+DB (11)	34	68	-DB (11)

CONNECTOR CONTACT ASSIGNMENT TABLE



796051-1
 PART NUMBER

THIS DRAWING IS A CONTROLLED DOCUMENT.		DWN D. BROCKWAY 19 FEB 98	AMP AMP Incorporated Harrisburg, PA 17105-3608
DIMENSIONS: mm (INCHES)		CHK R. STONE 20 FEB 98	
TOLERANCES UNLESS OTHERWISE SPECIFIED:		APVD J. VANDYKE 13 MAR 98	NAME PLUG ASSEMBLY, 68 POSITION, LVD, 50 SERIES AMPLIMITE™, TERMINATOR™
0 PLC ± 1 PLC ± 2 PLC ±0.13 (.005) 3 PLC ± 4 PLC ± ANGLES ±		PRODUCT SPEC 108-1386	
MATERIAL		FINISH	APPLICATION SPEC
WEIGHT		SIZE A1	CAGE CODE DRAWING NO 00779
CUSTOMER DRAWING		SCALE 4:1	SHEET 1 OF 1
		REV B	