

THIS DRAWING IS UNPUBLISHED. RELEASED FOR PUBLICATION 20
 © COPYRIGHT 20 BY - ALL RIGHTS RESERVED.

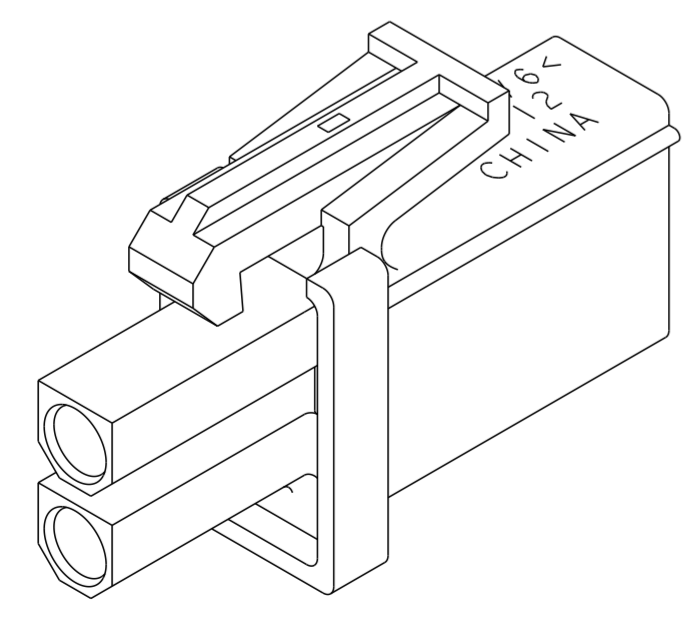
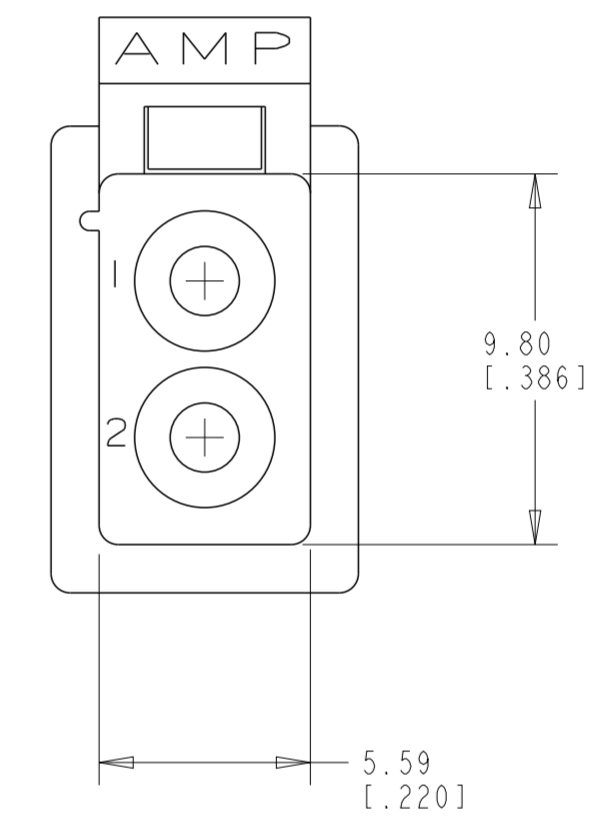
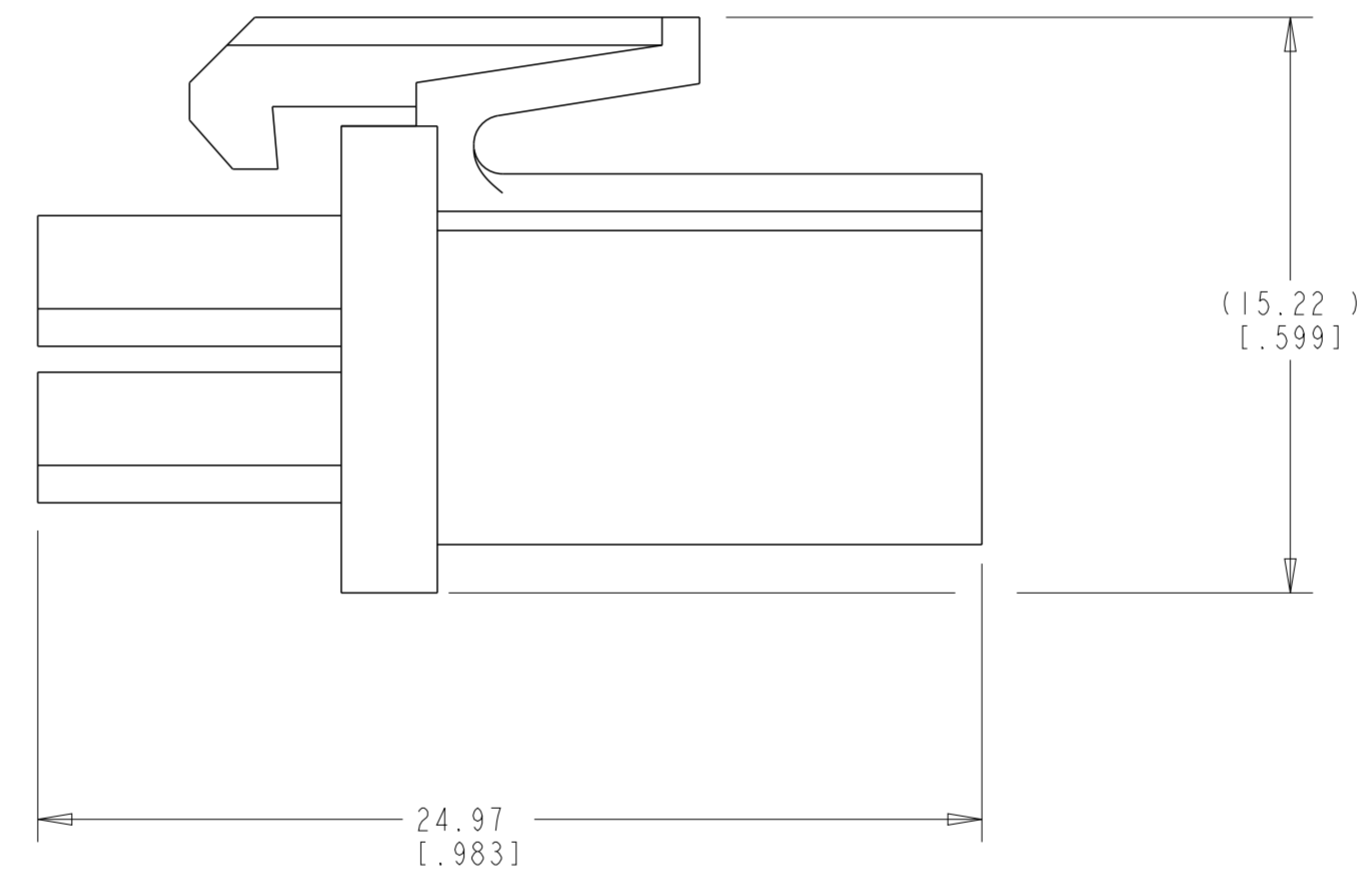
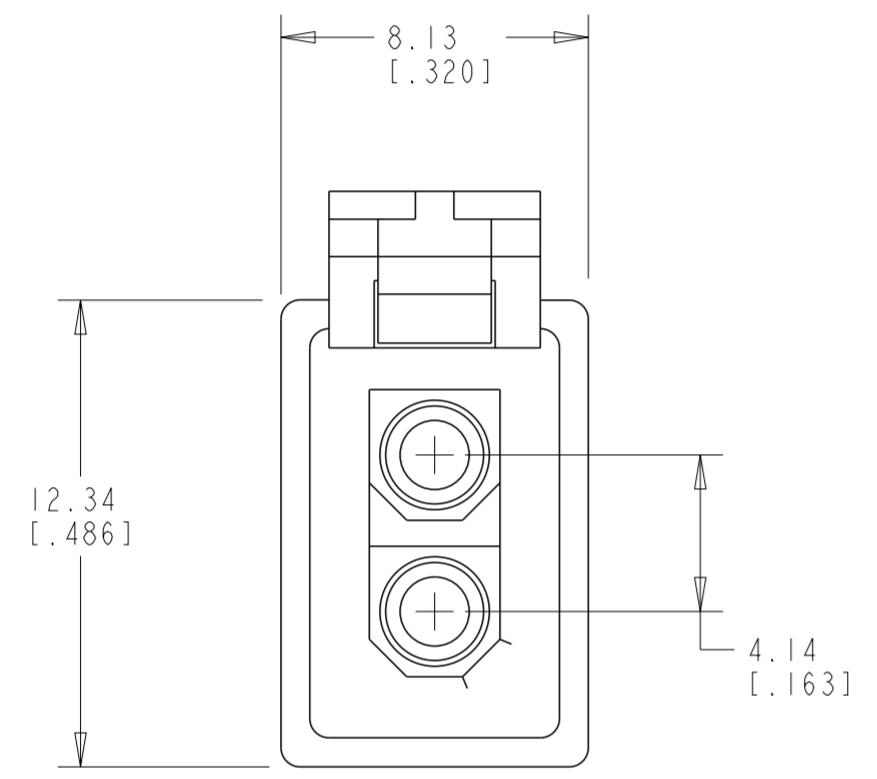
| LOC | DIST | REVISIONS | | | | | |
|-----|------|-----------|-----|---------------------------|-----------|-----|------|
| CM | 00 | P | LTR | DESCRIPTION | DATE | DWN | APVD |
| | | C | | REVISED PER ECR-12-017444 | 27NOV2017 | BW | SG |
| | | CI | | REVISED PER ECR-22-137480 | 22MAY2023 | MV | JP |

1. DIMENSIONS IN BRACKETS ARE IN INCHES.

2 GWT 750° (WITH OUT FLAME) ACC. IEC 60335-1

3 MEETS UL61800-5-1 UL DIRECT SUPPORT REQUIREMENT FOR RAW MATERIAL NUMBER 705287

| Flam | RTel deg C | HWI | HAI | CTI |
|------|------------|------|------|-----------|
| V0 | 120C | PLC4 | PLC0 | PLC_UL746 |



3 DIMENSIONAL MODEL
SCALE 4:1

| REMARKS | COLOUR | MATERIAL | PART NUMBER |
|---------|---------|-----------------|-------------|
| 2 | NATURAL | PA 6 UL94-V2 | 794894-3 |
| 2 | RED | PA 6 UL94-V2 | 794894-2 |
| 3 | NATURAL | PA66/6 UL94 V-0 | 794894-1 |

| | | | | |
|--|----------------|-----------------------------------|--|--------------|
| THIS DRAWING IS A CONTROLLED DOCUMENT. | | DWN K. WHITAKER 26-JAN-2001 | 26-JAN-2001 | |
| DIMENSIONS: mm [INCHES] | | CHK C. JONES 26-JAN-2001 | 26-JAN-2001 | |
| TOLERANCES UNLESS OTHERWISE SPECIFIED: | | APVD C. JONES 26-JAN-2001 | NAME | |
| 0 PLC ± | 1 PLC ± | PRODUCT SPEC | PLUG, 2 CIRCUIT, SEALED APPLICATION, MINI UNIVERSAL MATE-N-LOK(TM) | |
| 2 PLC ±0.13 [.005] | 3 PLC ± | APPLICATION SPEC | SIZE | CAGE CODE |
| 4 PLC ± | ANGLES ±0° 30' | FINISH | A2 | 00779 |
| MATERIAL | SEE TABLE | WEIGHT | DRAWING NO G-794894 | |
| CUSTOMER DRAWING | | SCALE | 5:1 | SHEET 1 OF 1 |

