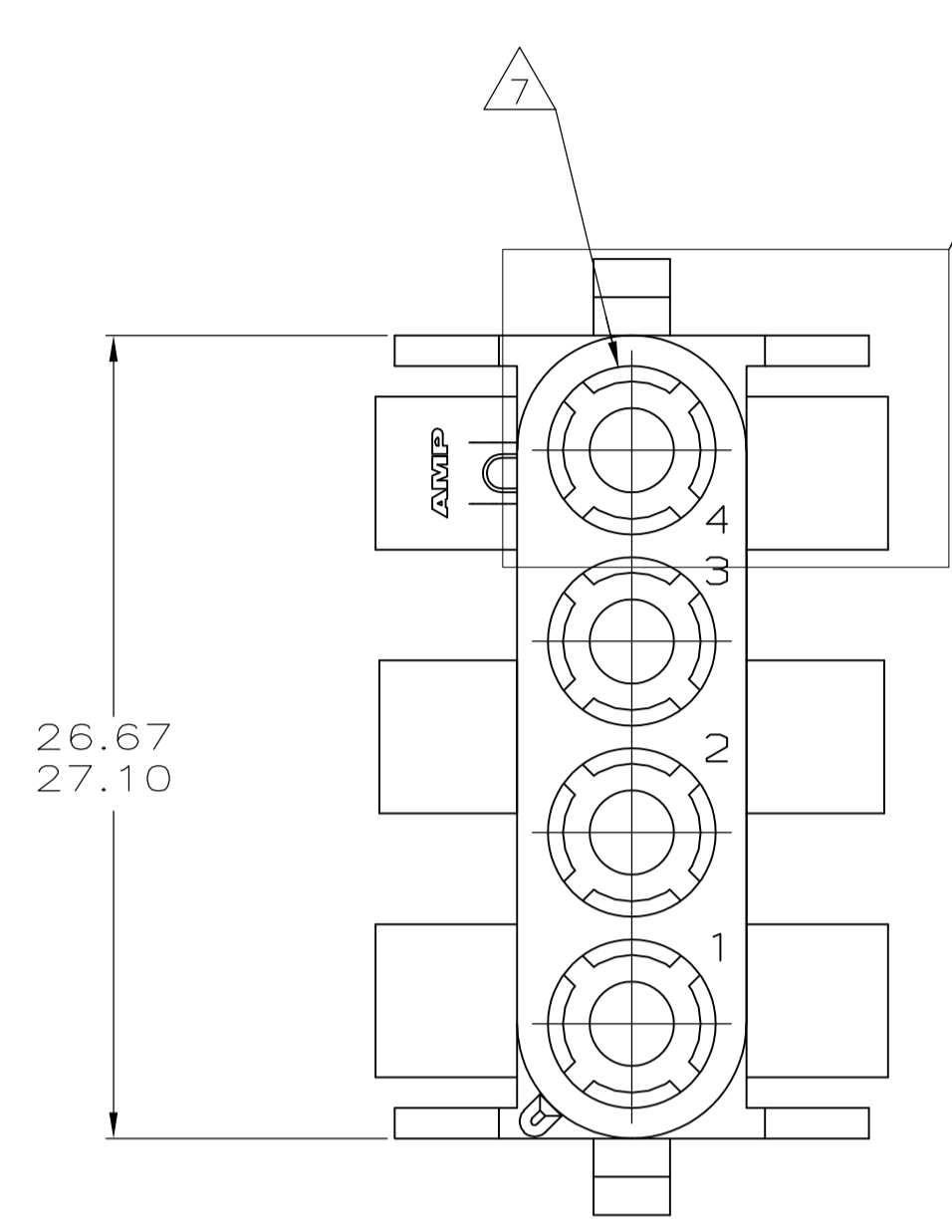
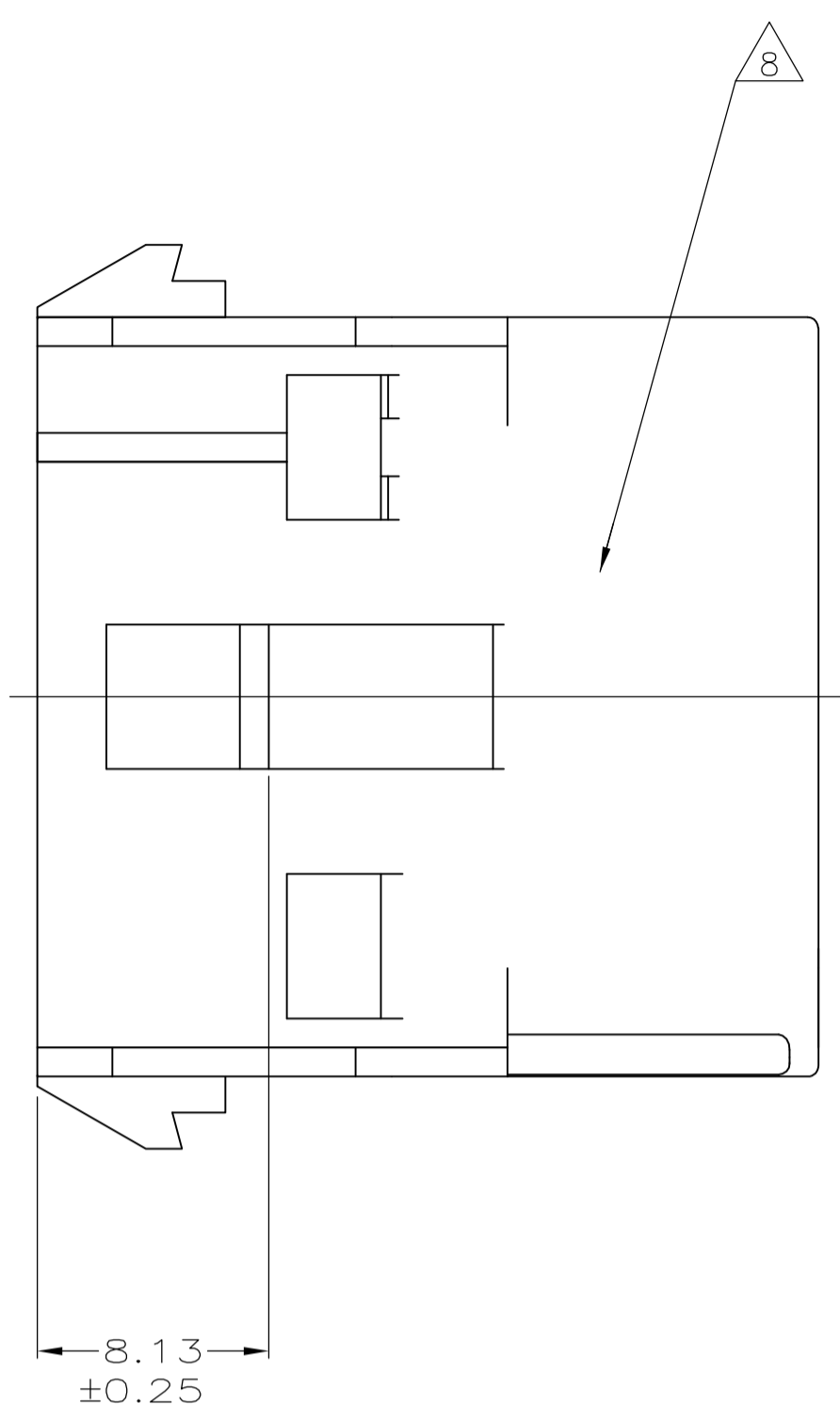
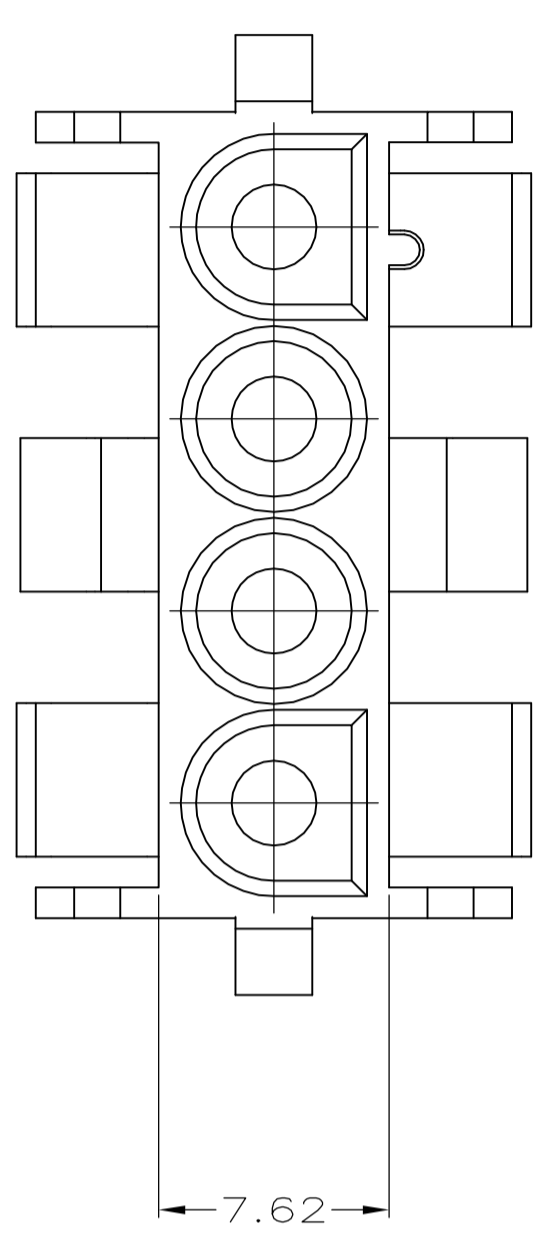
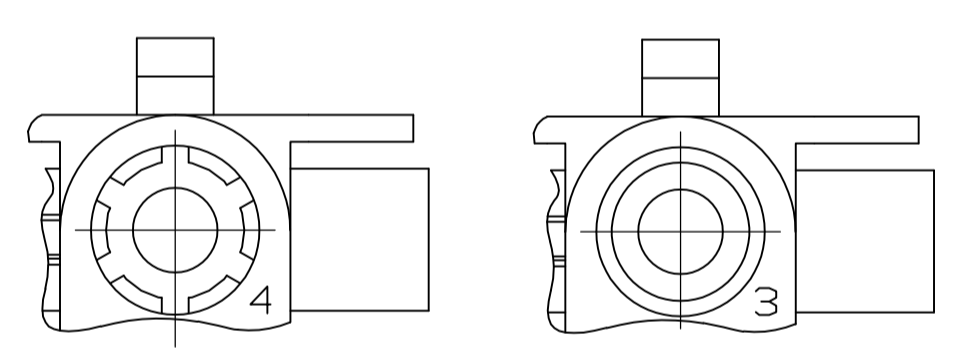


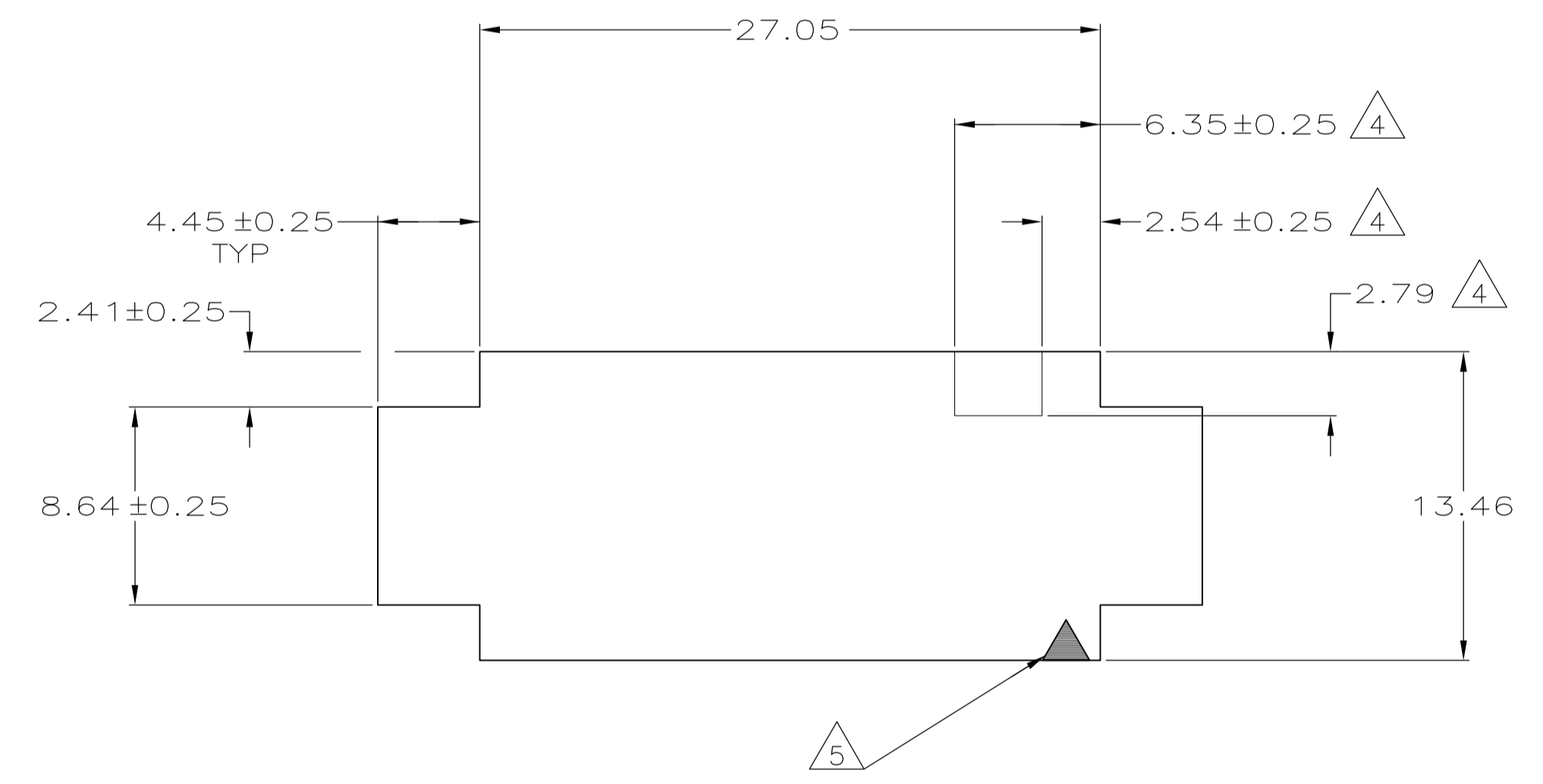
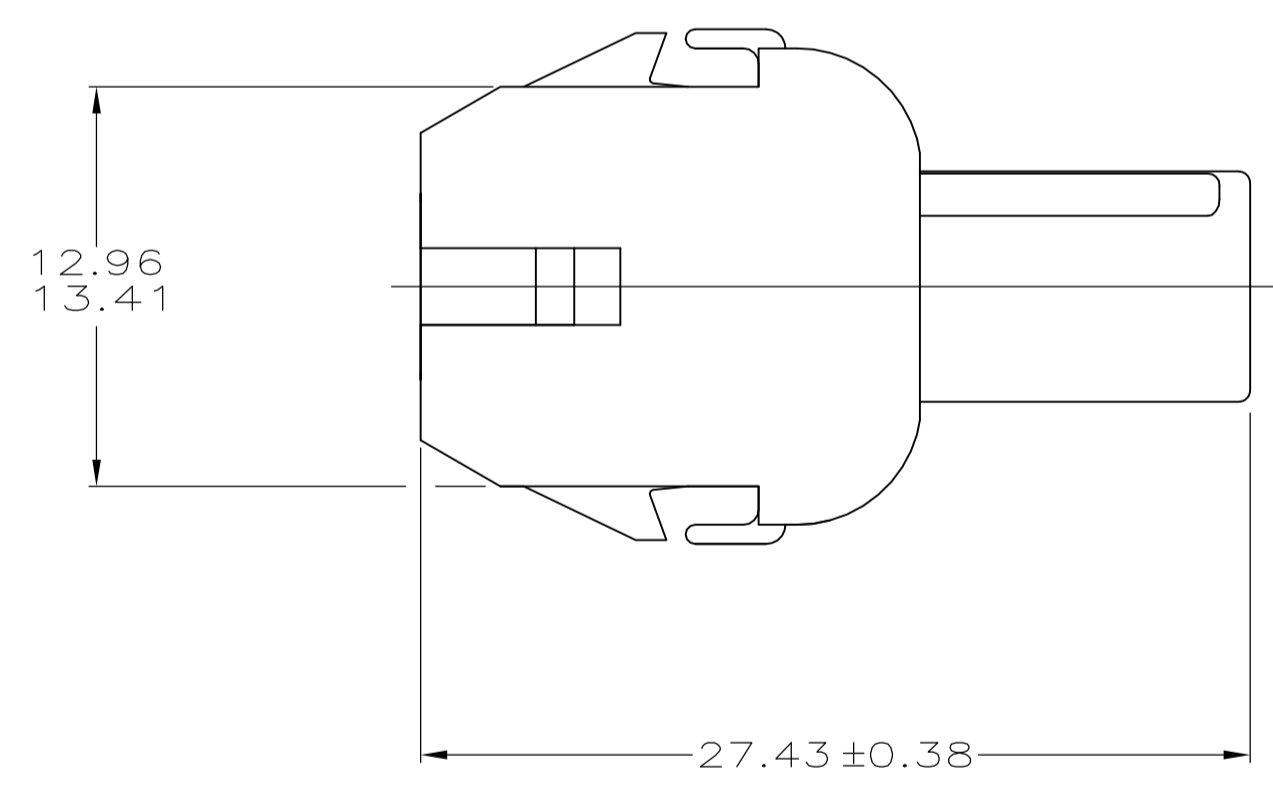
REVISIONS					
P	LTR	DESCRIPTION	DATE	DMN	APVD
A2		REVISED PER ECO-17-011927	22AUG2017	RS	KR



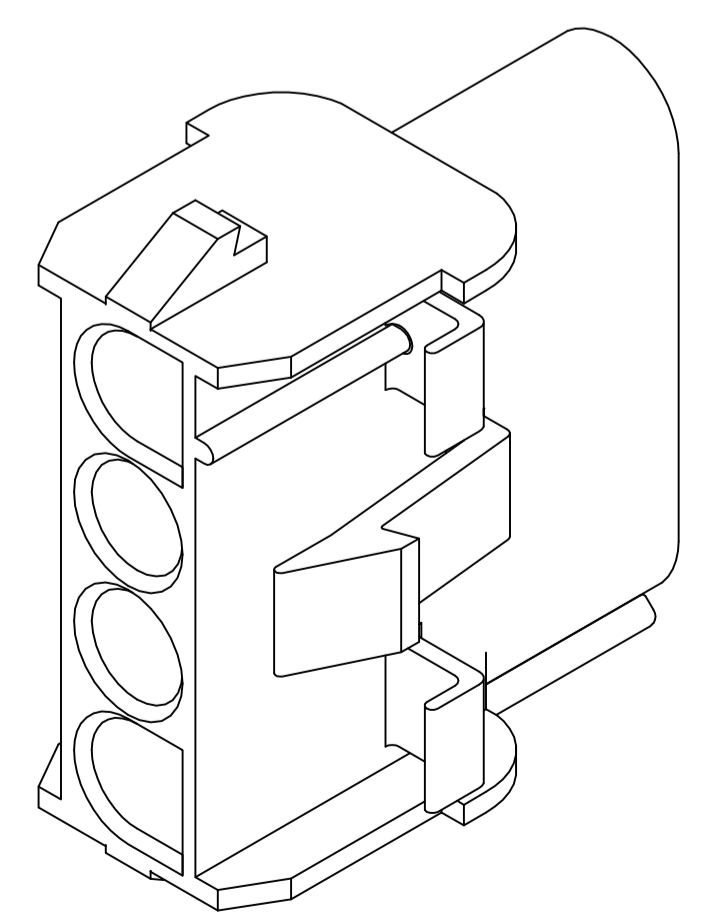
- 1 MATES WITH APPROPRIATE UNIVERSAL MATE-N-LOK™ PLUG.
- 2 RECOMMENDED PANEL THICKNESS 0.76 - 2.29.
- 3 PANEL MUST BE PUNCHED SO THAT THE HOUSING ENTERS THE PANEL IN THE SAME DIRECTION AS THE PUNCH.
- 4 OPTIONAL FOR KEYING HOUSING IN PANEL.
- 5 CIRCUIT NUMBER 1 LOCATION.
- 6 DIMENSIONS SHOWN REPRESENT PRODUCT IN DRY, AS MOLDED CONDITION. ADDITIONAL 2% GROWTH DUE TO SUBSEQUENT MOISTURE ABSORPTION MAY OCCUR AND SHOULD BE ACCOUNTED FOR.
- 7 FOUR RIBS EQUALLY SPACED, NO SPECIFIC ORIENTATION, NO RIBS OR SIX RIBS EQUALLY SPACED, NO SPECIFIC ORIENTATION, OPTIONAL.
- 8 UNDERWRITERS RECOGNIZED COMPONENT LOGO AND CSA CERTIFICATION LOGO TO BE LOCATED ONCE EACH ON SIDE OF HOUSING.
- 9 150° C TEMPERATURE RATING FOR THIS HOUSING IS FOR SHORT TERM DURATION. MAX OPERATING TEMPERATURE REMAINS 125° C.
- 10 PHOSPHOR BRONZE CONTACTS SHOULD ALWAYS BE USED WITH THIS HOUSING.



DETAIL A  
OPTIONAL CONSTRUCTIONS



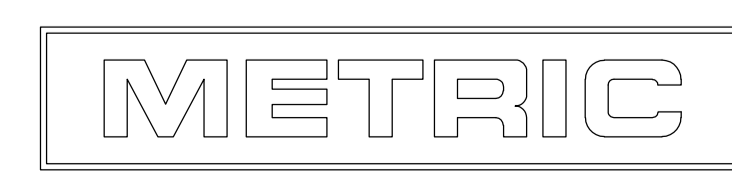
RECOMMENDED PANEL CUT OUT



3-DIMENSIONAL MODEL  
NTS

7.62	.300	27.43	1.080
6.35	.250	27.10	1.067
4.45	.175	27.05	1.065
2.79	.110	26.67	1.050
2.54	.100	13.46	.530
2.41	.095	13.41	.528
2.29	.090	12.96	.510
0.76	.030	8.64	.340
0.38	.015	8.13	.320
MM	IN	MM	IN

CONVERSION TABLE



THIS DRAWING IS A CONTROLLED DOCUMENT.

DIMENSIONS:	TOLERANCES UNLESS OTHERWISE SPECIFIED:	DIN	15-NOV-2001
mm	0. PLC ± -	CHK	15-NOV-2001
	1. PLC ± -	APVD	15-NOV-2001
	2. PLC ± 0.13	NAME	
	3. PLC ± -	PRODUCT SPEC	
	4. PLC ± -	APPLICATION SPEC	
	ANGLES ± 0° 30'	SIZE	CAGE CODE
MATERIAL	FINISH	DRAWING NO	RESTRICTED TO
NYLON, UL 94-2, BLACK	-	000779	
CUSTOMER DRAWING		SCALE	SHEET
		4:1	1 OF 1

794707-1  
PART NUMBER

TE Connectivity

CAP, 4 CIRCUIT,  
UNIVERSAL MATE-N-LOK™ TM

WEIGHT 0.000000

000779 C=794707