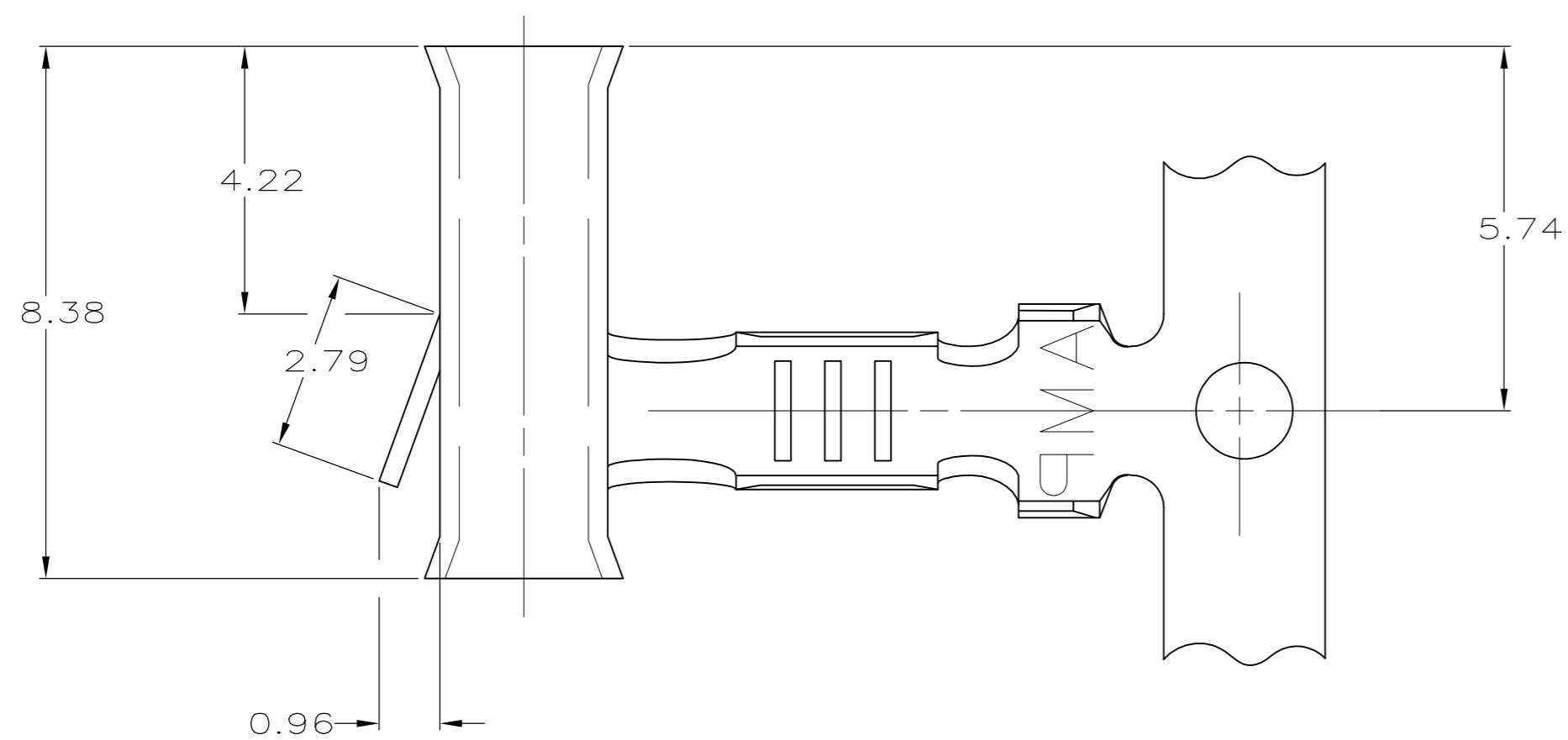
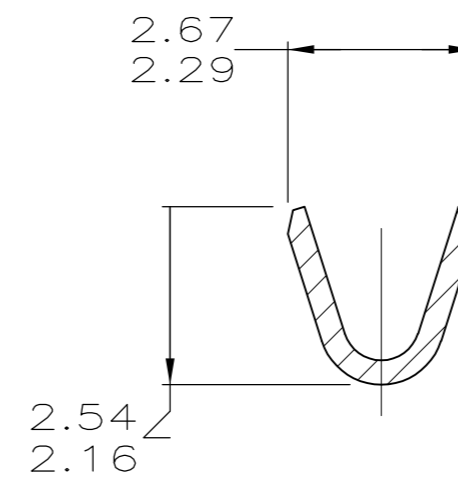


THIS DRAWING IS UNPUBLISHED. RELEASED FOR PUBLICATION
 © COPYRIGHT - By - ALL RIGHTS RESERVED.

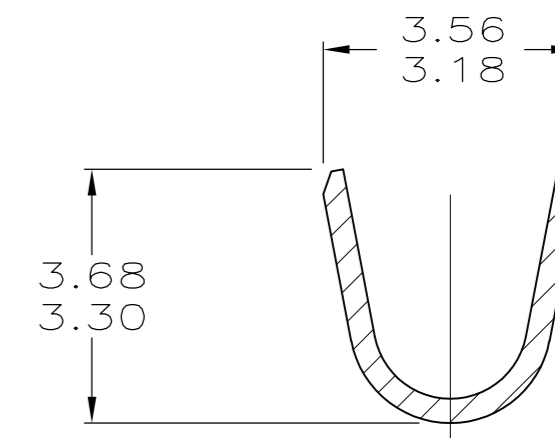
LOC	DIST	REVISIONS			
P	LTR	DESCRIPTION	DATE	DWN	APVD
CM	53	A	REVISED PER ECR 12-013810	24SEPT12	JR TM



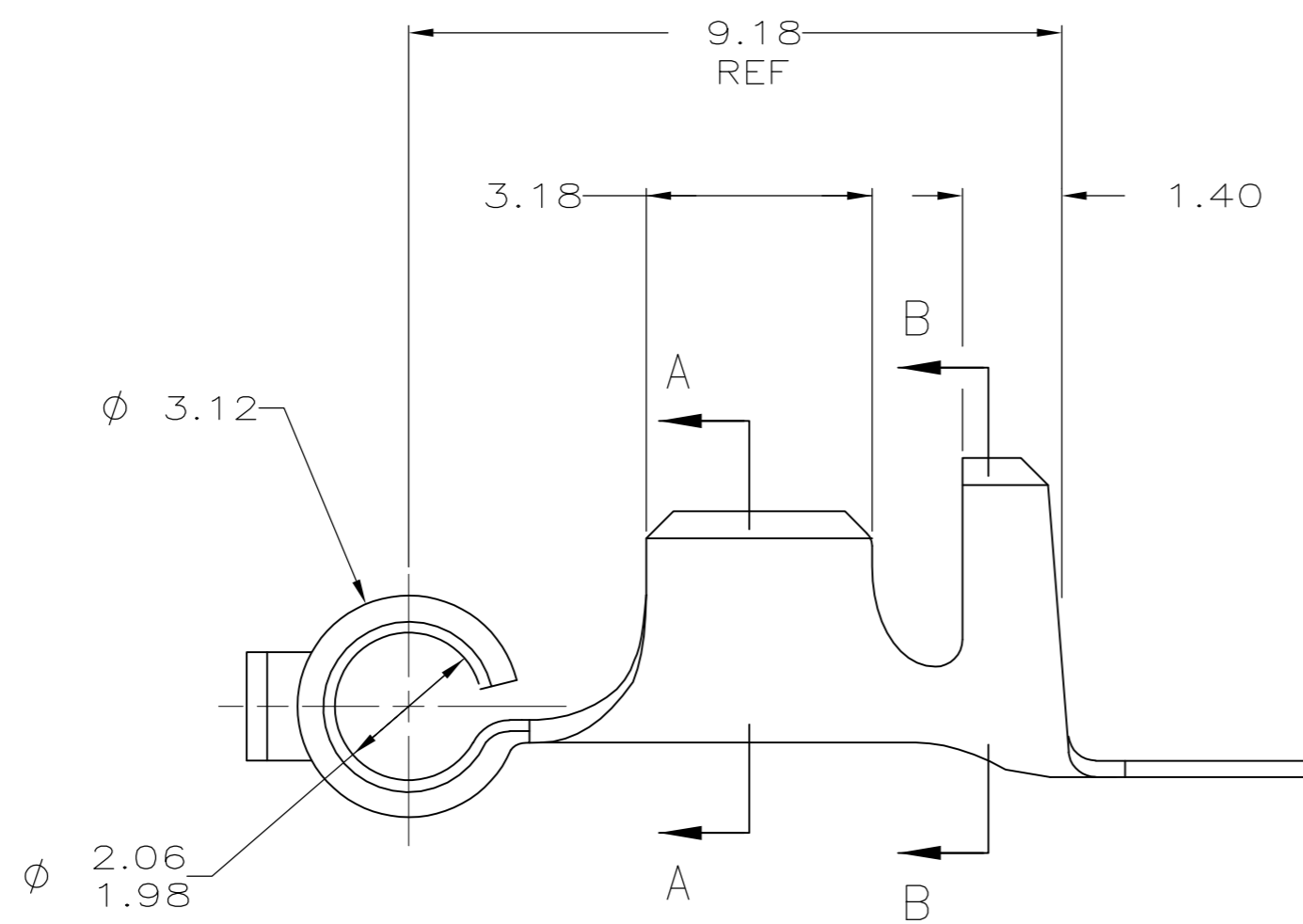
1. WIRE RANGE: 0.2-0.8 mm² (20-14 AWG).
2. INSULATION RANGE: 2.54 DIAMETER MAX.



SECTION A-A

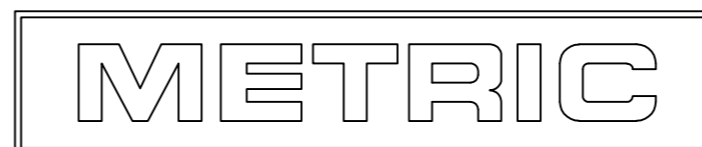


SECTION B-B



2.79	.110	-	-
2.67	.105	9.18	.361
2.54	.100	8.38	.330
2.29	.090	5.74	.226
2.16	.085	4.22	.166
2.06	.081	3.68	.145
1.98	.078	3.56	.140
1.40	.055	3.30	.130
0.96	.038	3.18	.125
0.13	.005	3.12	.123
MM	IN	MM	IN

CONVERSION TABLE



794703-1
PART NUMBER

THIS DRAWING IS A CONTROLLED DOCUMENT.		DWN K. WHITAKER 26-AUG-1999		
DIMENSIONS: mm [INCHES]		CHK M. TRULL 26-AUG-1999		
TOLERANCES UNLESS OTHERWISE SPECIFIED:		APVD M. TRULL 26-AUG-1999	NAME SOCKET, RIGHT ANGLE, COMMERCIAL MATE-N-LOK	
0 PLC ± -		PRODUCT SPEC	SIZE A2	
1 PLC ± -		APPLICATION SPEC	CAGE CODE 00779	
2 PLC ± 0.20		WEIGHT	DRAWING NO C=794703	
3 PLC ± -		CUSTOMER DRAWING	RESTRICTED TO	
4 PLC ± -		SCALE 10:1	SHEET 1 of 1	
ANGLES ± 0° 30'		REV A		
MATERIAL PH BRZ	FINISH PRE-TIN			