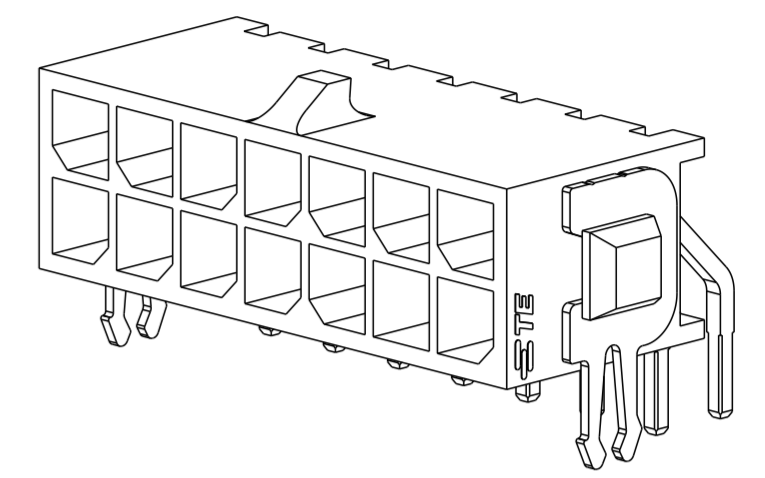
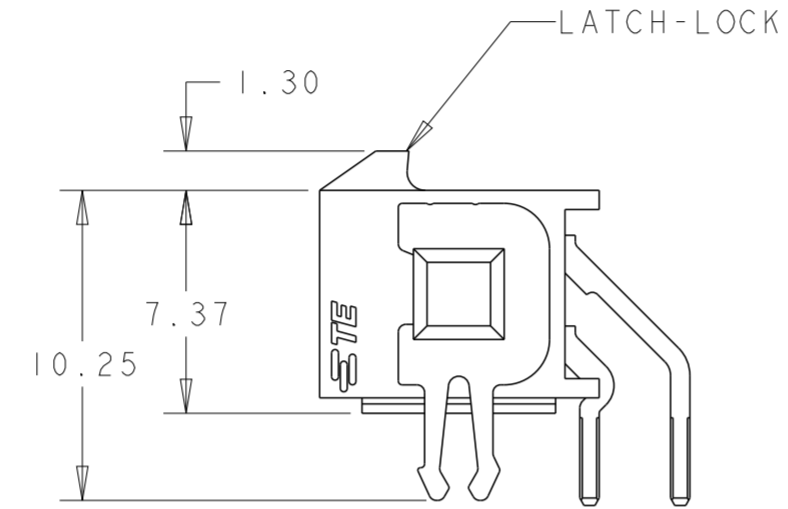
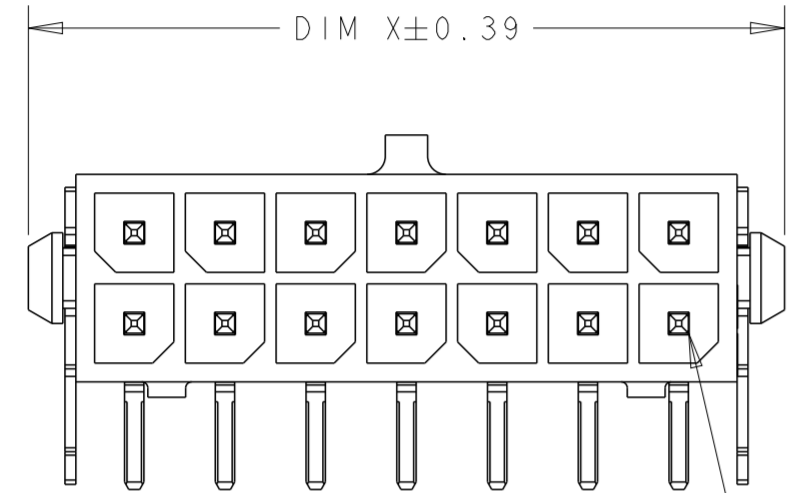
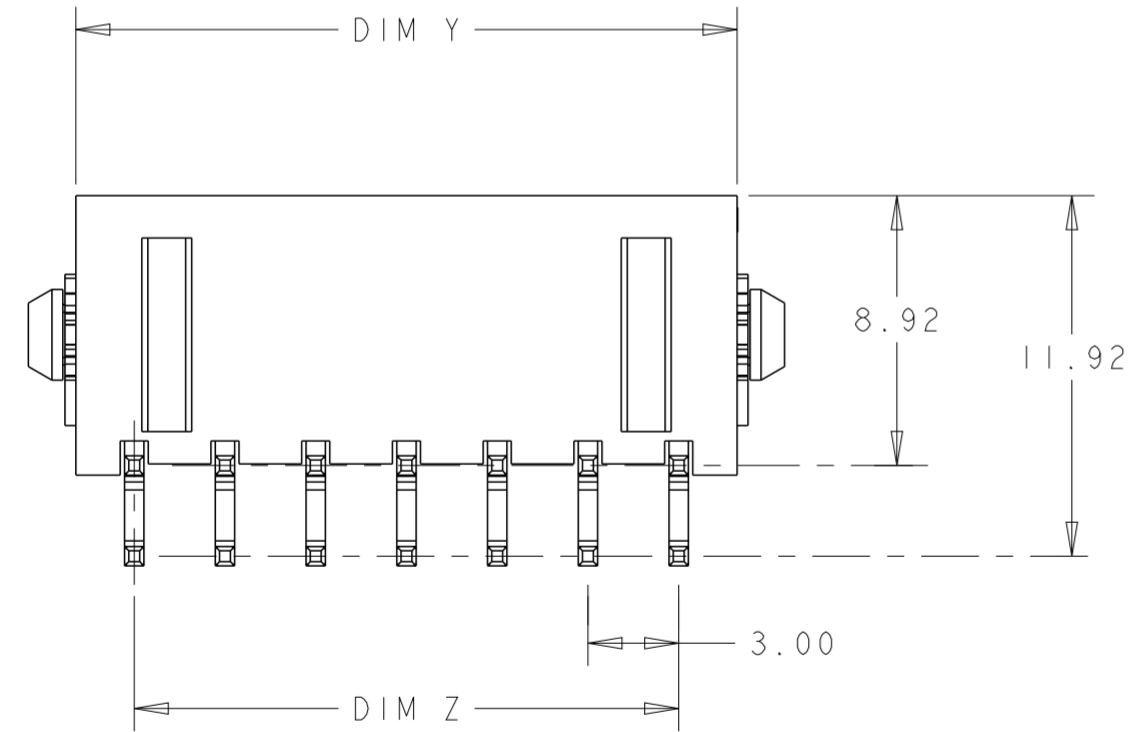


THIS DRAWING IS UNPUBLISHED. RELEASED FOR PUBLICATION 20
 © COPYRIGHT 20 BY - ALL RIGHTS RESERVED.

REVISIONS					
P	LTR	DESCRIPTION	DATE	DWN	APVD
G5		REVISED PER ECN-23-225679	08AUG2023	WLS	VS
G6		REVISED PER ECN-23-240910	29NOV2023	WLS	VS



- 1 MATERIAL;
CONTACTS - BRASS.
HOUSING - UL 94V-0 RATED HIGH TEMP NYLON, COLOR BLACK.
- 2 RECOMMENDED PC BOARD THICKNESS OF 1.57.
- 3 PLATING;
CONTACTS - 0.76µm MINIMUM GOLD ON MATING AREA.
2.54µm MINIMUM MATTE TIN ON SOLDER TAILS.
ALL OVER 1.27µm MINIMUM NICKEL.
HOLDDOWNS - 2.54µm MATTE TIN OVER 1.27µm MINIMUM NICKEL.
- 4 COUNTERPART RECOMMENDED IS PN 794617 (DASH ACCORDING TO NUMBER OF POSITION).
- 5 FOR REELING DIRECTION AND PACKAGING TYPE, SEE SPECIFICATION 114-13000.



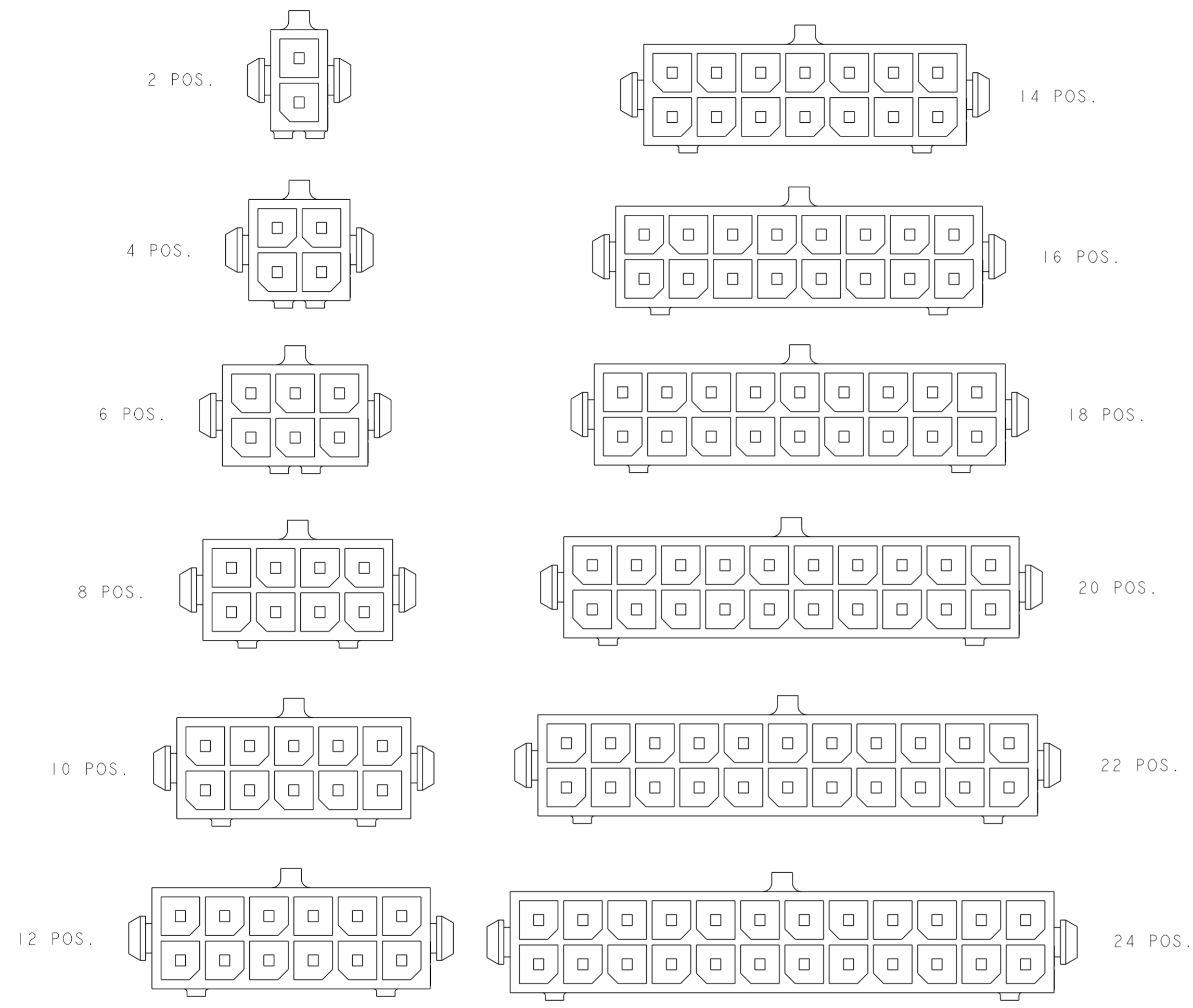
OBSOLETE	36.86	37.30	33.00	40.00	24	5-794679-4
OBSOLETE	33.86	34.30	30.00	37.00	22	5-794679-2
OBSOLETE	30.86	31.30	27.00	34.00	20	5-794679-0
OBSOLETE	27.86	28.30	24.00	31.00	18	4-794679-8
OBSOLETE	24.86	25.30	21.00	28.00	16	4-794679-6
	21.86	22.30	18.00	25.00	14	4-794679-4
OBSOLETE	18.86	19.30	15.00	22.00	12	4-794679-2
	15.86	16.30	12.00	19.00	10	4-794679-0
	12.86	13.30	9.00	16.00	8	3-794679-8
	9.86	10.30	6.00	13.00	6	3-794679-6
	6.86	7.30	3.00	10.00	4	3-794679-4
	3.86	4.30	-	7.00	2	3-794679-2
	DIM Y	DIM W	DIM Z	DIM X	NO. OF POSN.	PART NUMBER

THIS DRAWING IS A CONTROLLED DOCUMENT.		DWN B. HAYMAKER 12AUG99	TE Connectivity			
DIMENSIONS: mm		CHK K. COBLE 12AUG99				
TOLERANCES UNLESS OTHERWISE SPECIFIED:		APVD K. COBLE 12AUG99	NAME THRU-HOLE, RIGHT ANGLE, 30 GOLD HEADER, MECHANICAL BOARDLOCK, DUAL ROW, MICRO MATE-N-LOK™			
0 PLC ± 1 PLC ± 2 PLC ±0.20 3 PLC ± 4 PLC ± ANGLES ±1° FINISH		PRODUCT SPEC 108-1836	SIZE A2	CAGE CODE 07779	DRAWING NO. G-794679	RESTRICTED TO -
MATERIAL		APPLICATION SPEC 114-13000	WEIGHT -	SCALE 4:1		SHEET 1 OF 2
		CUSTOMER DRAWING		REV G6		

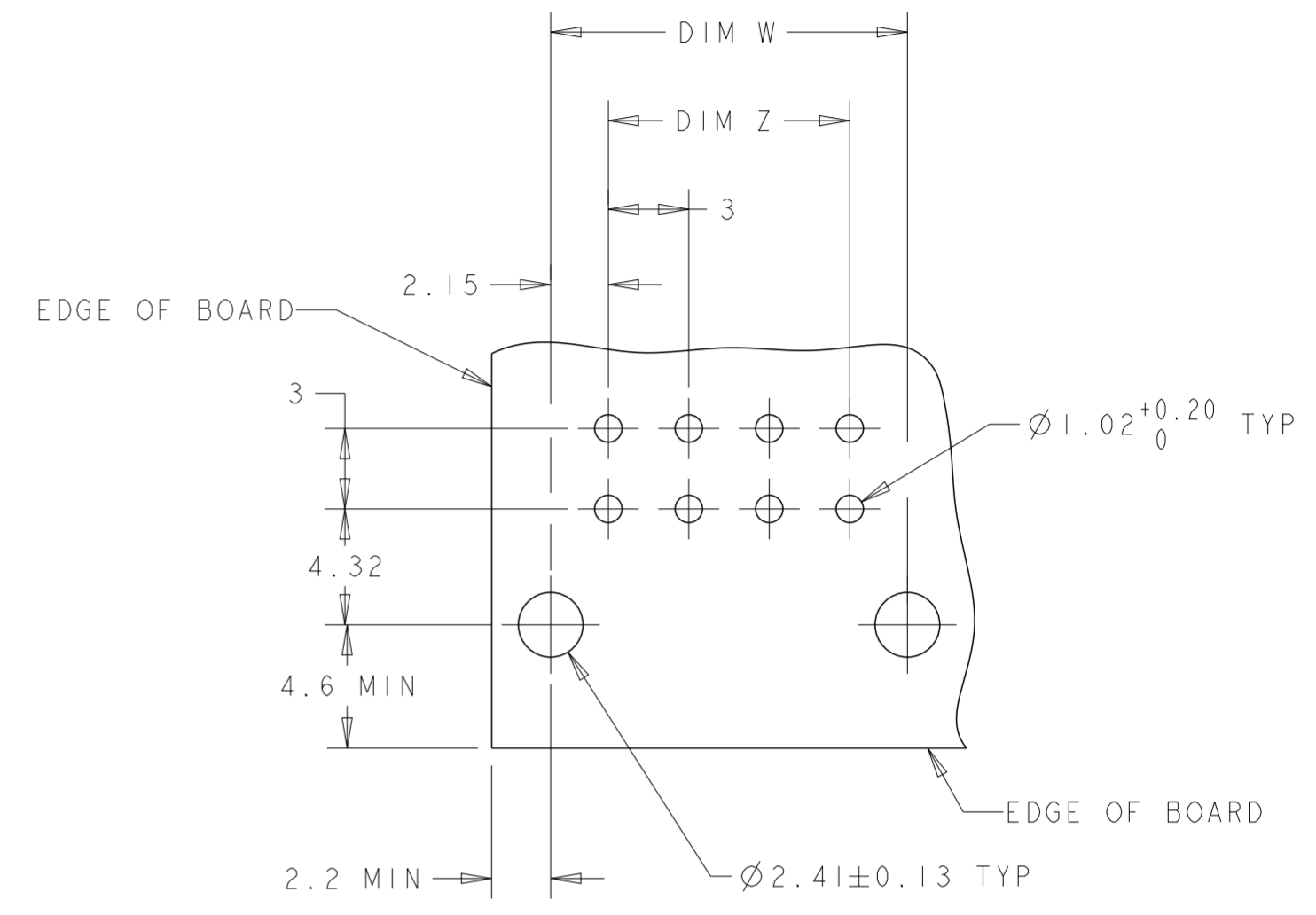
794679

THIS DRAWING IS UNPUBLISHED. RELEASED FOR PUBLICATION 20
 © COPYRIGHT 20 BY - ALL RIGHTS RESERVED.


REVISIONS				
P	LTR	DESCRIPTION	DATE	APVD
-	-	SEE SHEET 1	-	-



KEYING BY POSITION SIZE



RECOMMENDED PCB LAYOUT (COMPONENT SIDE)

THIS DRAWING IS A CONTROLLED DOCUMENT.		DWN B. HAYMAKER 12AUG99	 TE Connectivity
DIMENSIONS: mm		CHK K. COBLE 12AUG99	
TOLERANCES UNLESS OTHERWISE SPECIFIED:		APVD K. COBLE 12AUG99	NAME THRU-HOLE, RIGHT ANGLE, 30 GOLD HEADER, MECHANICAL BOARDLOCK, DUAL ROW, MICRO MATE-N-LOK
0 PLC ±	1 PLC ±	PRODUCT SPEC 108-1836	SIZE A20779
2 PLC ±0.20	3 PLC ±	APPLICATION SPEC 114-13000	CAGE CODE G-794679
4 PLC ±	ANGLES ±1°	WEIGHT -	DRAWING NO -
FINISH		CUSTOMER DRAWING	RESTRICTED TO -
MATERIAL -		SCALE 4:1	SHEET 2 OF 2
		REV G6	