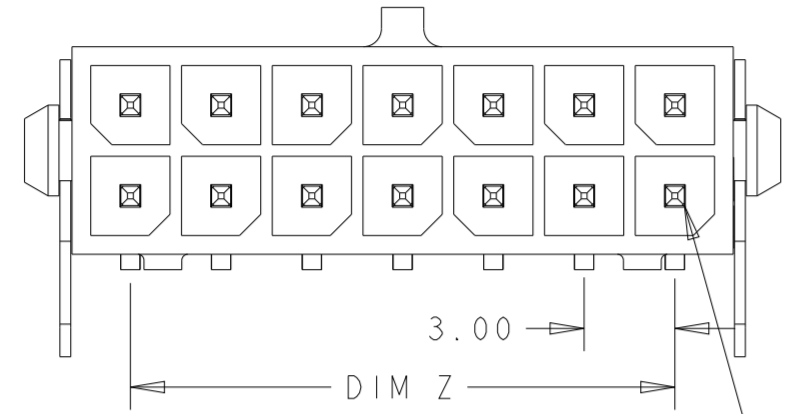
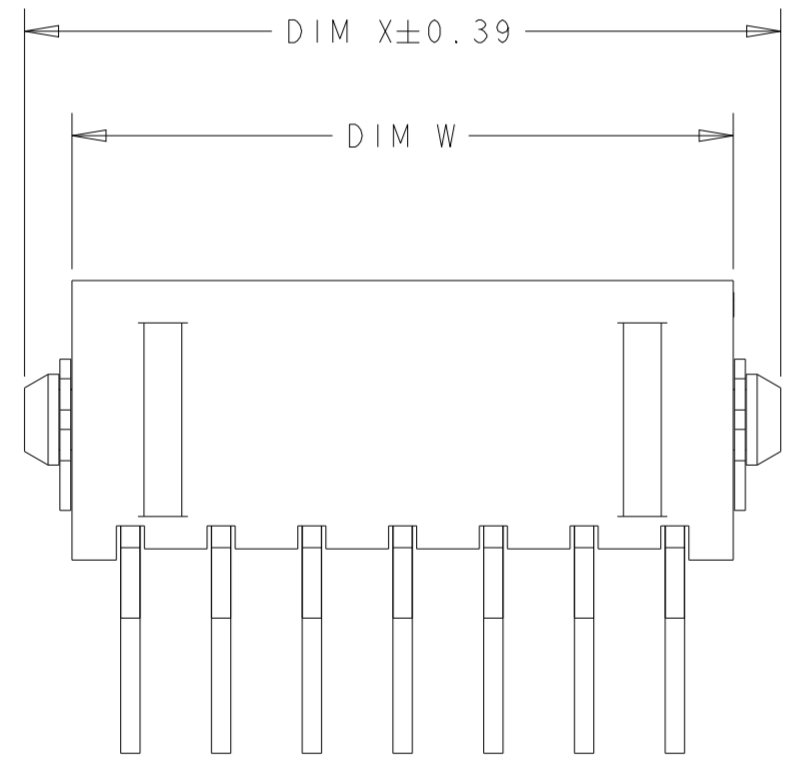
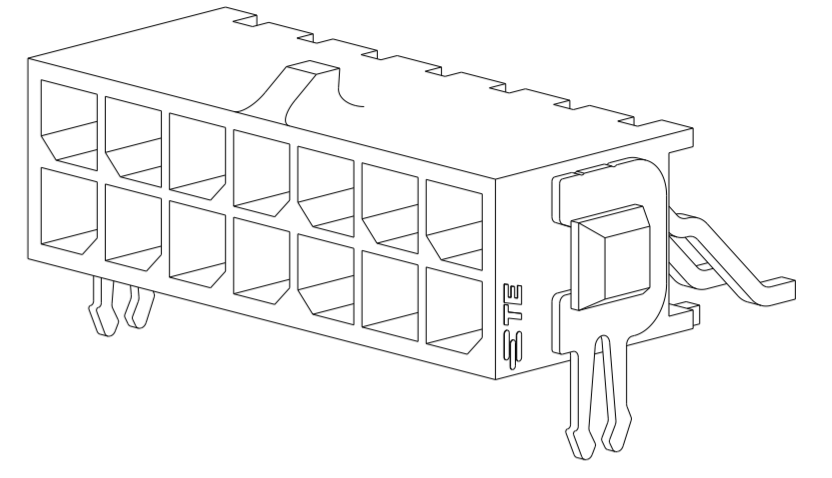
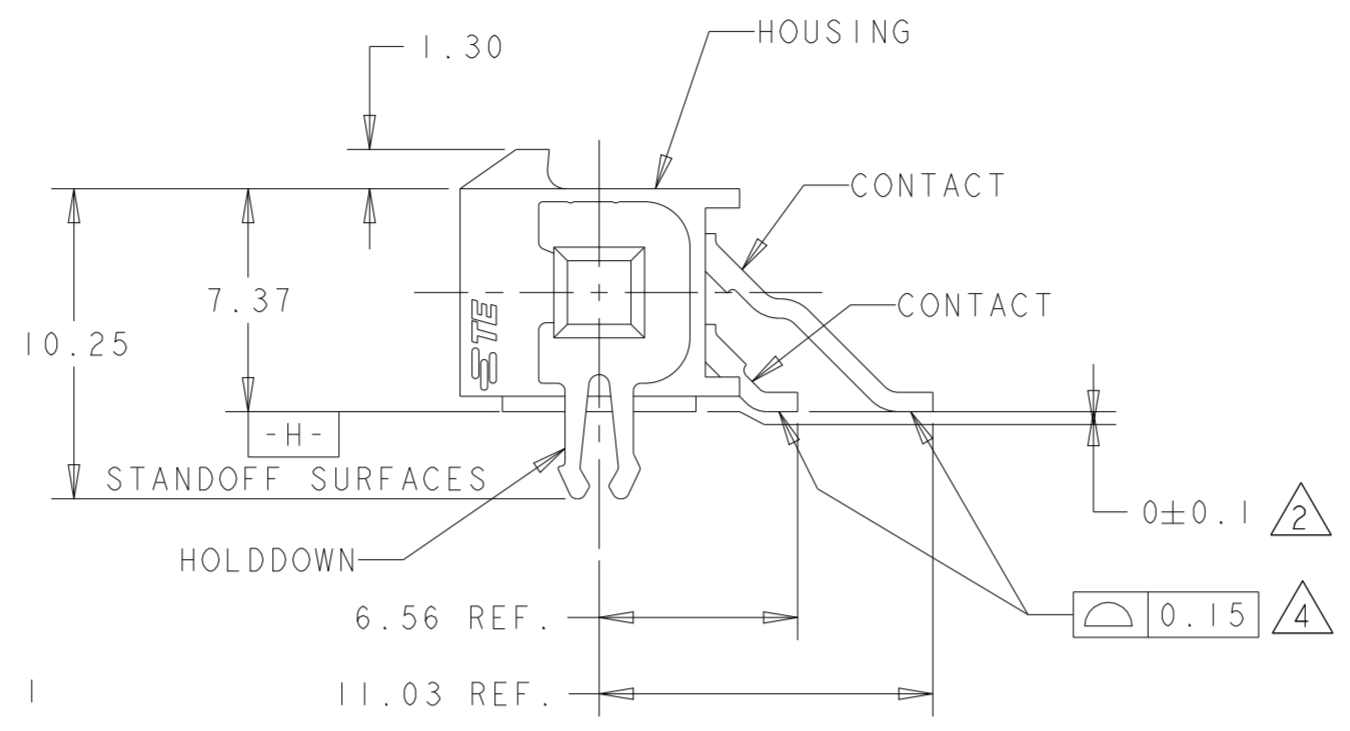


THIS DRAWING IS UNPUBLISHED. RELEASED FOR PUBLICATION 20
 © COPYRIGHT 2021 TE Connectivity. All Rights Reserved. ALL RIGHTS RESERVED.

REVISIONS					
P	LTR	DESCRIPTION	DATE	DWN	APVD
G5		REVISED PER ECN-23-240910	24NOV2023	WLS	VS



CIRCUIT NUMBER 1



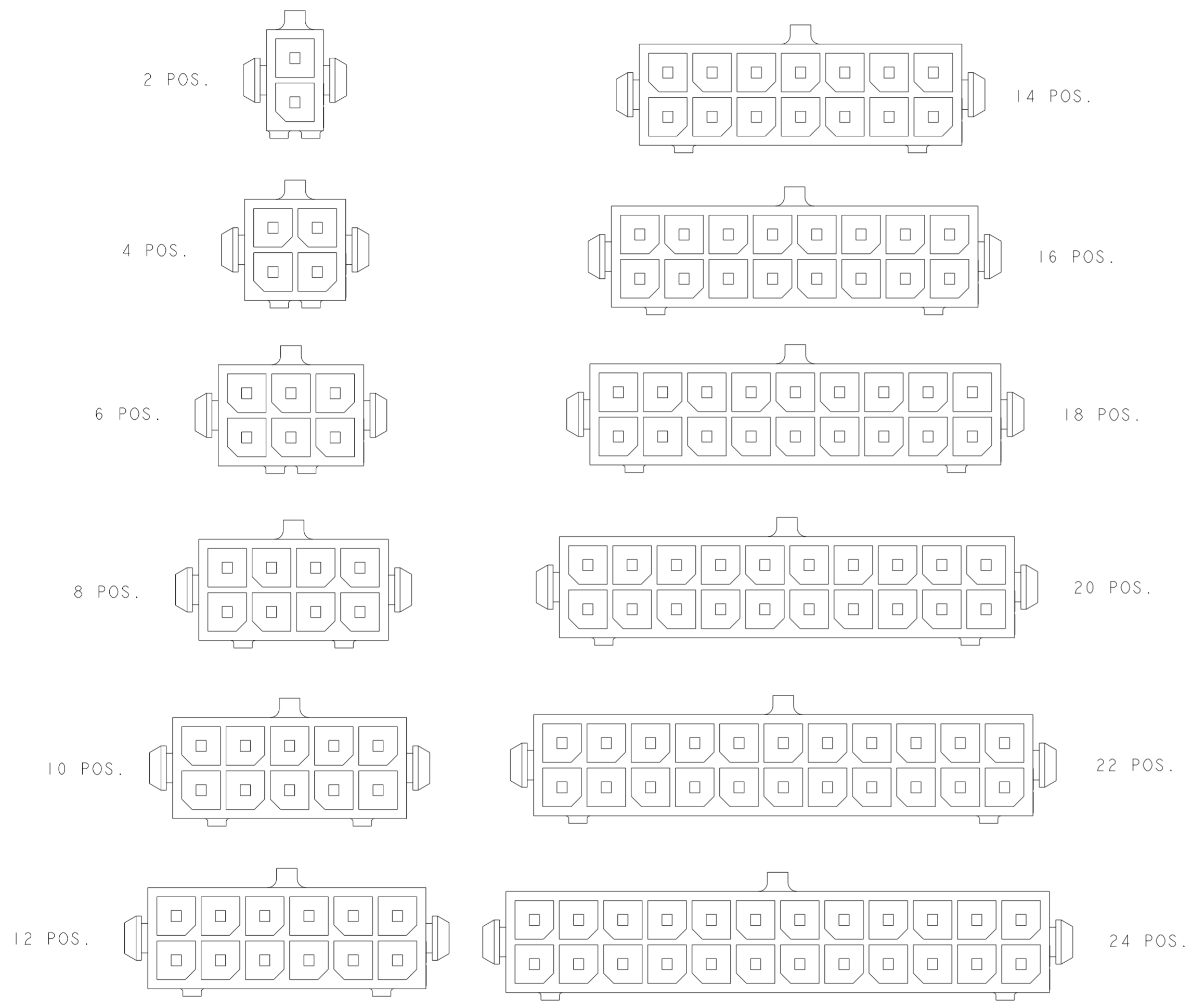
- 1 MATERIAL;
HOUSING - UL 94V-0 RATED HIGH TEMP NYLON, COLOR BLACK.
CONTACTS - BRASS.
HOLDDOWNS - PHOSPHOR BRONZE.
- 2 DIMENSION APPLIES TO SOLDER TAIL SURFACES AND STANDOFF SURFACES.
- 3 RECOMMENDED PC BOARD THICKNESS OF 1.57.
- 4 ALL SOLDER TAILS.
- 5 PLATING;
CONTACTS - 0.38µm MINIMUM GOLD ON MATING AREA.
2.54µm MINIMUM MATTE TIN ON SOLDER TAILS.
ALL OVER 1.27µm MINIMUM NICKEL.
HOLDDOWNS - 2.54µm MINIMUM MATTE TIN OVER 1.27µm MINIMUM NICKEL.
- 6 COUNTERPART RECOMMENDED IS PN 794617 (DASH ACCORDING TO NUMBER OF POSITION).
- 7 FOR REELING DIRECTION AND PACKAGING TYPE, SEE SPECIFICATION 114-13000.

OBSOLETE	36.86	37.30	33.00	40.00	24	5-794625-4
OBSOLETE	33.86	34.30	30.00	37.00	22	5-794625-2
OBSOLETE	30.86	31.30	27.00	34.00	20	5-794625-0
OBSOLETE	27.86	28.30	24.00	31.00	18	4-794625-8
OBSOLETE	24.86	25.30	21.00	28.00	16	4-794625-6
OBSOLETE	21.86	22.30	18.00	25.00	14	4-794625-4
OBSOLETE	18.86	19.30	15.00	22.00	12	4-794625-2
	15.86	16.30	12.00	19.00	10	4-794625-0
OBSOLETE	12.86	13.30	9.00	16.00	8	3-794625-8
	9.86	10.30	6.00	13.00	6	3-794625-6
	6.86	7.30	3.00	10.00	4	3-794625-4
OBSOLETE	3.86	4.30	-	7.00	2	3-794625-2
	DIM W	DIM Y	DIM Z	DIM X	NO. OF POSN.	PART NUMBER

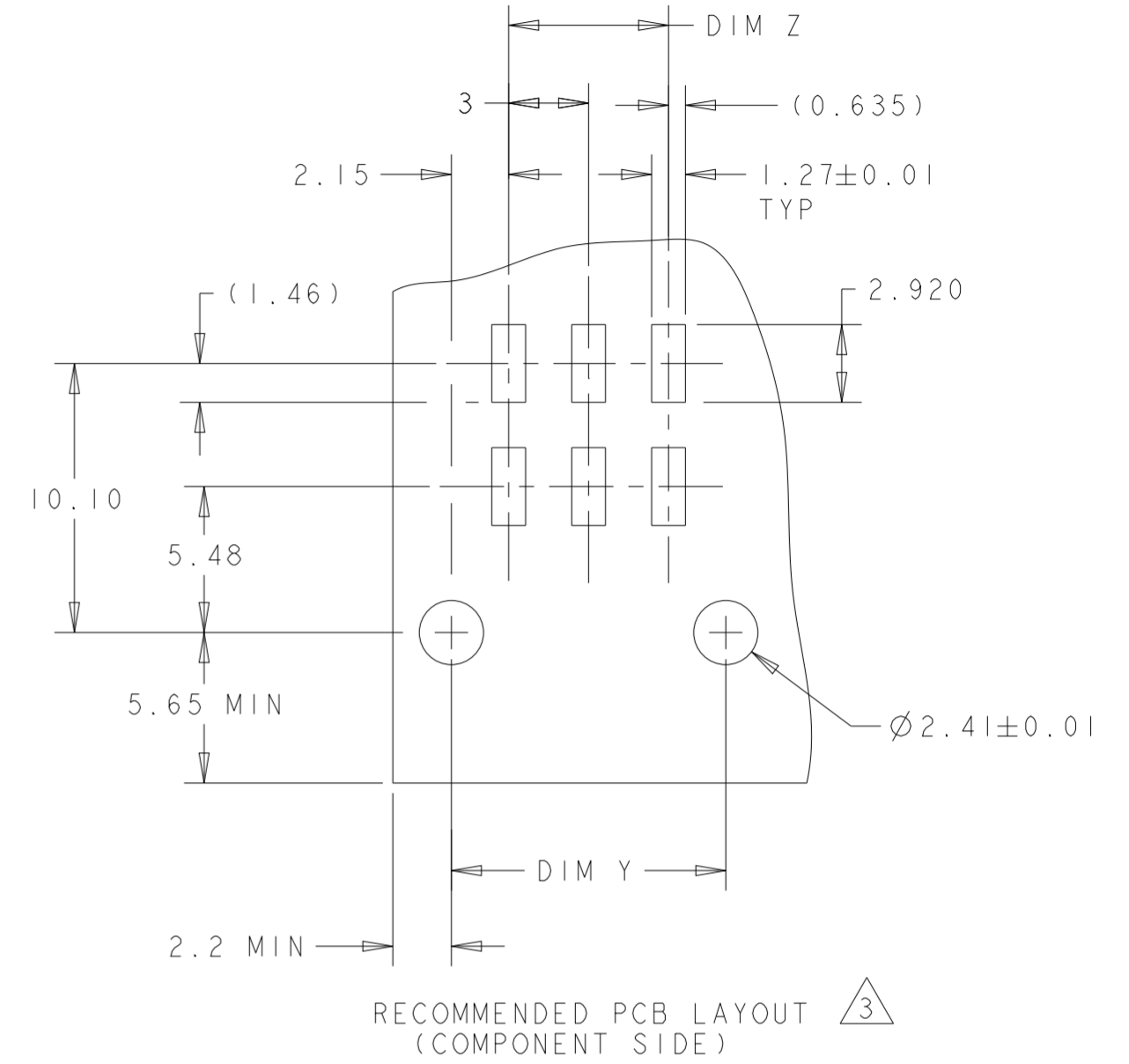
THIS DRAWING IS A CONTROLLED DOCUMENT.		DWN K. WHITAKER 18MAR2021	TE Connectivity			
DIMENSIONS: mm		CHK C. JONES 19MAR2003				
TOLERANCES UNLESS OTHERWISE SPECIFIED:		APVD C. JONES 19MAR2003	NAME - HOLDDON, ASSEMBLY, 15 GOLD HEADER, DUAL ROW, MICRO MATE-N-LOK™			
0 PLC ± 1 PLC ± 2 PLC ±0.13 3 PLC ± 4 PLC ± ANGLES ±1° FINISH		PRODUCT SPEC 108-1836	SIZE A2	CAGE CODE 0779	DRAWING NO C-794625	RESTRICTED TO -
MATERIAL 1	5	APPLICATION SPEC 114-13000	WEIGHT -	CUSTOMER DRAWING; RESTRICTED CUSTOMER		SCALE 4:1 SHEET 1 OF 2 REV G5


THIS DRAWING IS UNPUBLISHED. RELEASED FOR PUBLICATION 20
 © COPYRIGHT 2021 TE Connectivity. All Rights Reserved. ALL RIGHTS RESERVED.

REVISIONS				
P	LTR	DESCRIPTION	DATE	APVD
-	-	SEE SHEET 1	-	-



KEYING BY POSITION SIZE



THIS DRAWING IS A CONTROLLED DOCUMENT.		DWN K. WHITAKER 18MAR2021	 TE Connectivity	
DIMENSIONS: mm		CHK C. JONES 19MAR2003		
TOLERANCES UNLESS OTHERWISE SPECIFIED:		APVD C. JONES 19MAR2003	NAME -	
0 PLC ±-	1 PLC ±-	PRODUCT SPEC	HOLDDON, ASSEMBLY, 15 GOLD HEADER, DUAL ROW, MICRO MATE-N-LOK	
2 PLC ±0.13	3 PLC ±-	APPLICATION SPEC	SIZE	CAGE CODE
4 PLC ±-	ANGLES ±1°	FINISH	A20779	C-794625
MATERIAL	-	WEIGHT	DRAWING NO	
-	-	-	RESTRICTED TO	
CUSTOMER DRAWING; RESTRICTED CUSTOMER			SCALE 4:1	SHEET 2 OF 2
			REV G5	