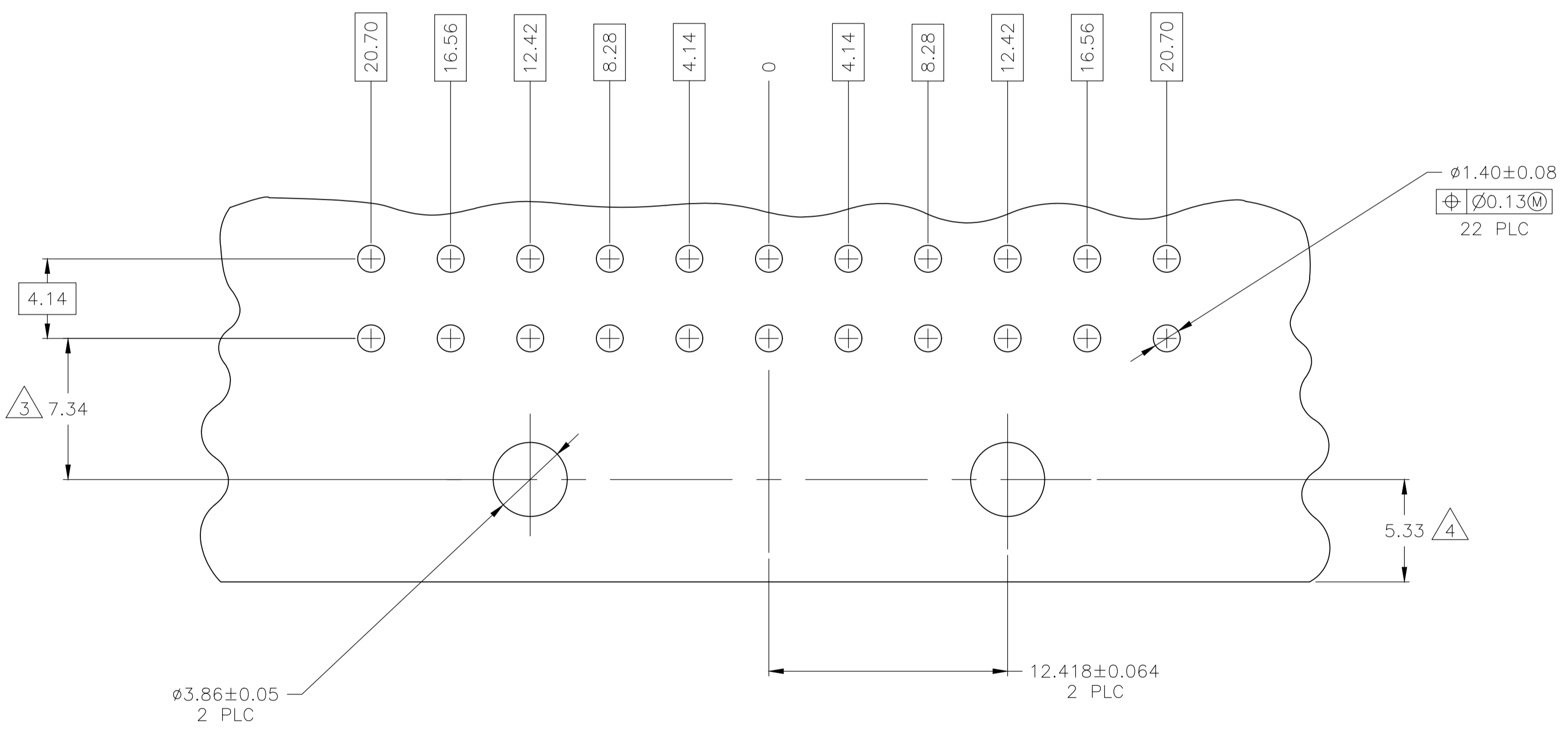
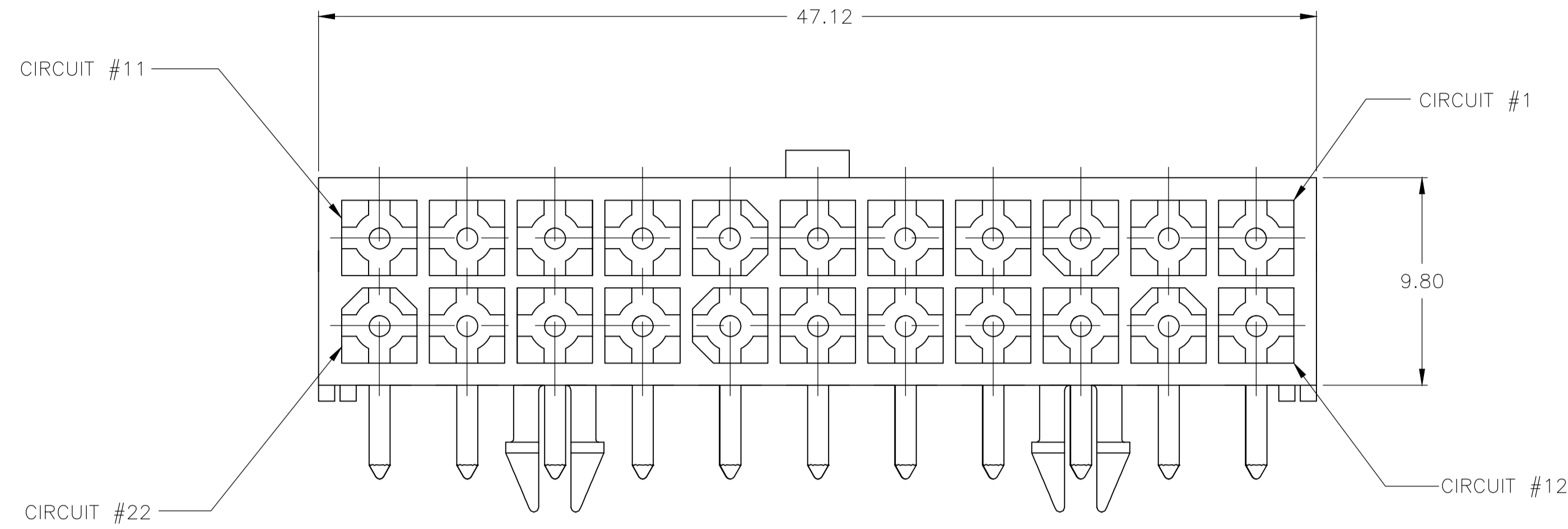
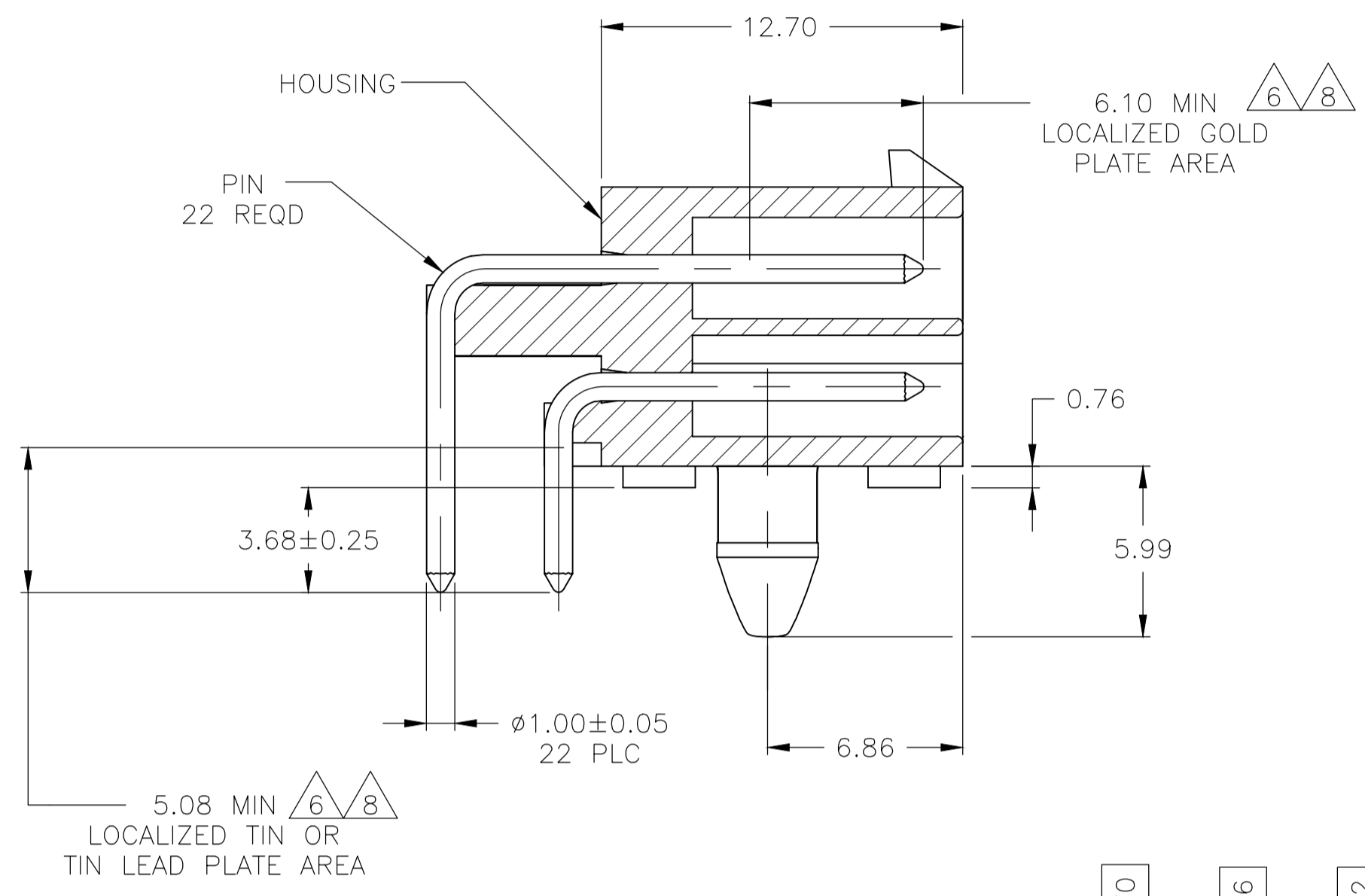


| LOC | | DIST | | REVISIONS | | | | |
|-----|----|------|-----|---------------------------|-----------|-----|------|--|
| CM | 53 | P | LTR | DESCRIPTION | DATE | DMN | APVD | |
| | | C1 | | REVISED PER ECR-18-003467 | 28MAR2018 | BDA | SG | |

- PINS TO COMPLY WITH AMP SOLDERABILITY SPEC 109-11-3.
- MATES WITH PLUG P/N 770586-1.
- COORDINATE DIMENSION APPLIES FROM CENTER OF ACTUAL FEATURE.
- RECOMMENDED FOR EDGE MOUNTING.
- 0.00381 MIN MATTE TIN LEAD PLATE OVER 0.00127 MIN NICKEL.
- 0.00076 MIN GOLD PLATE IN THE LOCALIZED GOLD PLATE AREA, 0.00381 MATTE TIN LEAD IN THE LOCALIZED PLATE AREA, BOTH OVER 0.00127 MIN NICKEL.
- 0.00381 MIN MATTE TIN PLATE OVER 0.00127 MIN NICKEL.
- 0.00076 MIN GOLD PLATE IN THE LOCALIZED GOLD PLATE AREA, 0.00381 MIN MATTE TIN IN THE LOCALIZED TIN PLATE AREA, BOTH OVER 0.00127 MIN NICKEL.



RECOMMENDED MOUNTING HOLE PATTERN FOR 1.57 THICK P.C. BOARD

| MM | IN | MM | IN | MM | IN |
|---------|---------|------|------|--------|-------|
| 1.00 | .039 | 6.86 | .270 | - | - |
| 0.76 | .030 | 6.10 | .240 | 47.12 | 1.855 |
| 0.25 | .010 | 5.99 | .236 | 20.70 | .815 |
| 0.13 | .005 | 5.33 | .210 | 16.56 | .652 |
| 0.08 | .003 | 5.08 | .200 | 12.70 | .500 |
| 0.064 | .0025 | 4.14 | .163 | 12.42 | .489 |
| 0.05 | .002 | 3.86 | .152 | 12.418 | .4889 |
| 0.00381 | .000150 | 3.68 | .145 | 9.80 | .386 |
| 0.00127 | .000050 | 1.57 | .062 | 8.28 | .326 |
| 0.00076 | .000030 | 1.40 | .055 | 7.34 | .289 |

CONVERSION TABLE

| | | | | |
|--|-------------|---|-------|------------|
| BRASS | △8 | NYLON, UL94V-0 | WHITE | 1-794107-1 |
| BRASS | △7 | NYLON, UL94V-0 | WHITE | 1-794107-0 |
| OBSOLETE | GOLD △6 | NYLON, UL94V-0 | WHITE | -794107-2- |
| BRASS | TIN LEAD △5 | NYLON, UL94V-0 | WHITE | 794107-1 |
| MATERIAL | FINISH | MATERIAL | COLOR | PART NO |
| PIN | | HOUSING | | |
| THIS DRAWING IS A CONTROLLED DOCUMENT. | | DIN K. WHITAKER 02APR96 CHK R. SWING 02APR96 APVD R. ORSTAD 02APR96 NAME: HEADER ASSEMBLY, RIGHT ANGLE, W/SHORT PEG, 22 CIRCUIT, MINI UNIVERSAL MATE-N-LOK(TM) PRODUCT SPEC: - APPLICATION SPEC: - WEIGHT: - CUSTOMER DRAWING: - | | |
| DIMENSIONS: mm | | TOLERANCES UNLESS OTHERWISE SPECIFIED: 0 PLC ± - 1 PLC ± - 2 PLC ± 0.13 3 PLC ± - 4 PLC ± - ANGLES ± - | | |
| MATERIAL SEE TABLE | | SIZE: A1 CASE CODE: 00779 DRAWING NO: 794107 RESTRICTED TO: - SCALE: 5:1 SHEET: 1 OF 1 REV: C1 | | |