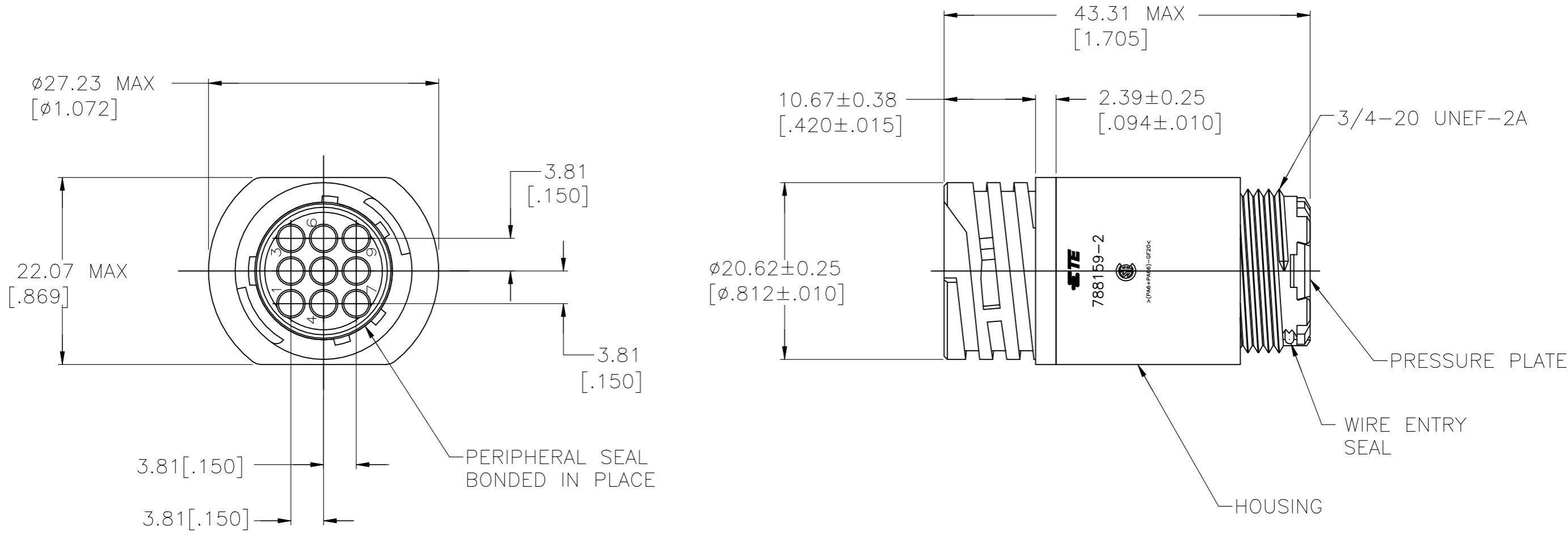




REVISIONS					
P	LTR	DESCRIPTION	DATE	DWN	APVD
	D	REVISED PER ECO-21-006945	28OCT2021	RK	MZ



1 THIS PART WILL ACCEPT NINE (9) MULTIMATE PIN CONTACTS.

2 HOUSING AND PRESSURE PLATE: NYLON, BLACK.  
 PERIPHERAL SEAL: ELASTOMER, BLACK.  
 WIRE ENTRY SEAL: ELASTOMER, RED-IRON OXIDE.

.065-.100	STANDARD	788159-2
.040-.080	SMALL	788159-1
WIRE INSULATION DIAMETER RANGE	INSULATION	PART NUMBER

THIS DRAWING IS A CONTROLLED DOCUMENT.		DWN C.DORWART 25 AUG 98	 TE Connectivity RCPT ASSY, 13-9, STD SEX, SERIES I, SEALED, CIRCULAR PLASTIC CONNECTOR											
DIMENSIONS: mm [INCHES]		CHK R.WALTER 25 AUG 98												
TOLERANCES UNLESS OTHERWISE SPECIFIED:		APVD R.WALTER 25 AUG 98												
<table border="1"> <tbody> <tr> <td>0 PLC</td> <td>± -</td> </tr> <tr> <td>1 PLC</td> <td>± -</td> </tr> <tr> <td>2 PLC</td> <td>± 0.13 [.005]</td> </tr> <tr> <td>3 PLC</td> <td>± -</td> </tr> <tr> <td>4 PLC</td> <td>± -</td> </tr> <tr> <td>ANGLES</td> <td>± -</td> </tr> </tbody> </table>		0 PLC				± -	1 PLC	± -	2 PLC	± 0.13 [.005]	3 PLC	± -	4 PLC	± -
0 PLC	± -													
1 PLC	± -													
2 PLC	± 0.13 [.005]													
3 PLC	± -													
4 PLC	± -													
ANGLES	± -													
MATERIAL		PRODUCT SPEC	SIZE	CAGE CODE	DRAWING NO	RESTRICTED TO								
		FINISH	—	A3 00779	C-788159	—								
CUSTOMER DRAWING			SCALE	SHEET	REV									
			2:1	1 OF 1	D									