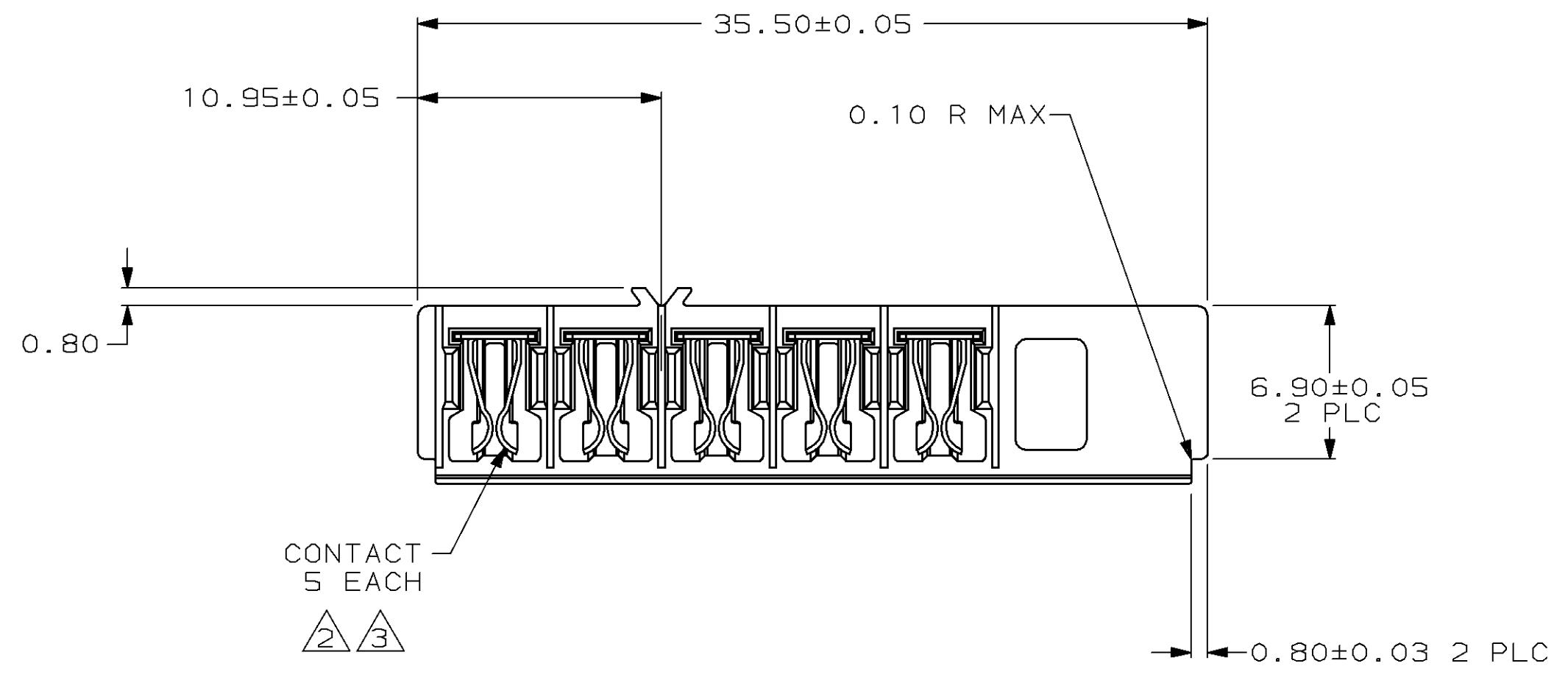
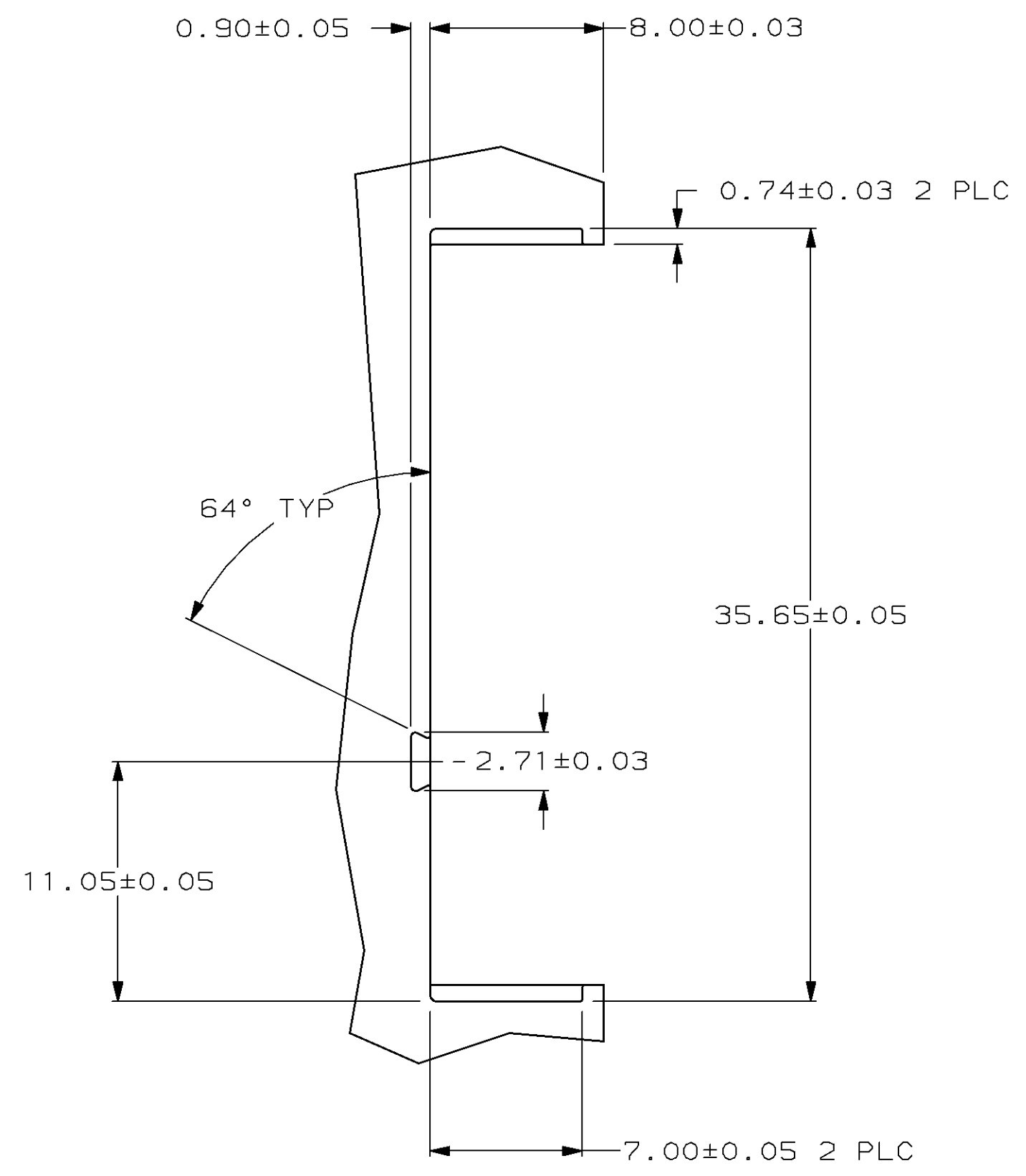
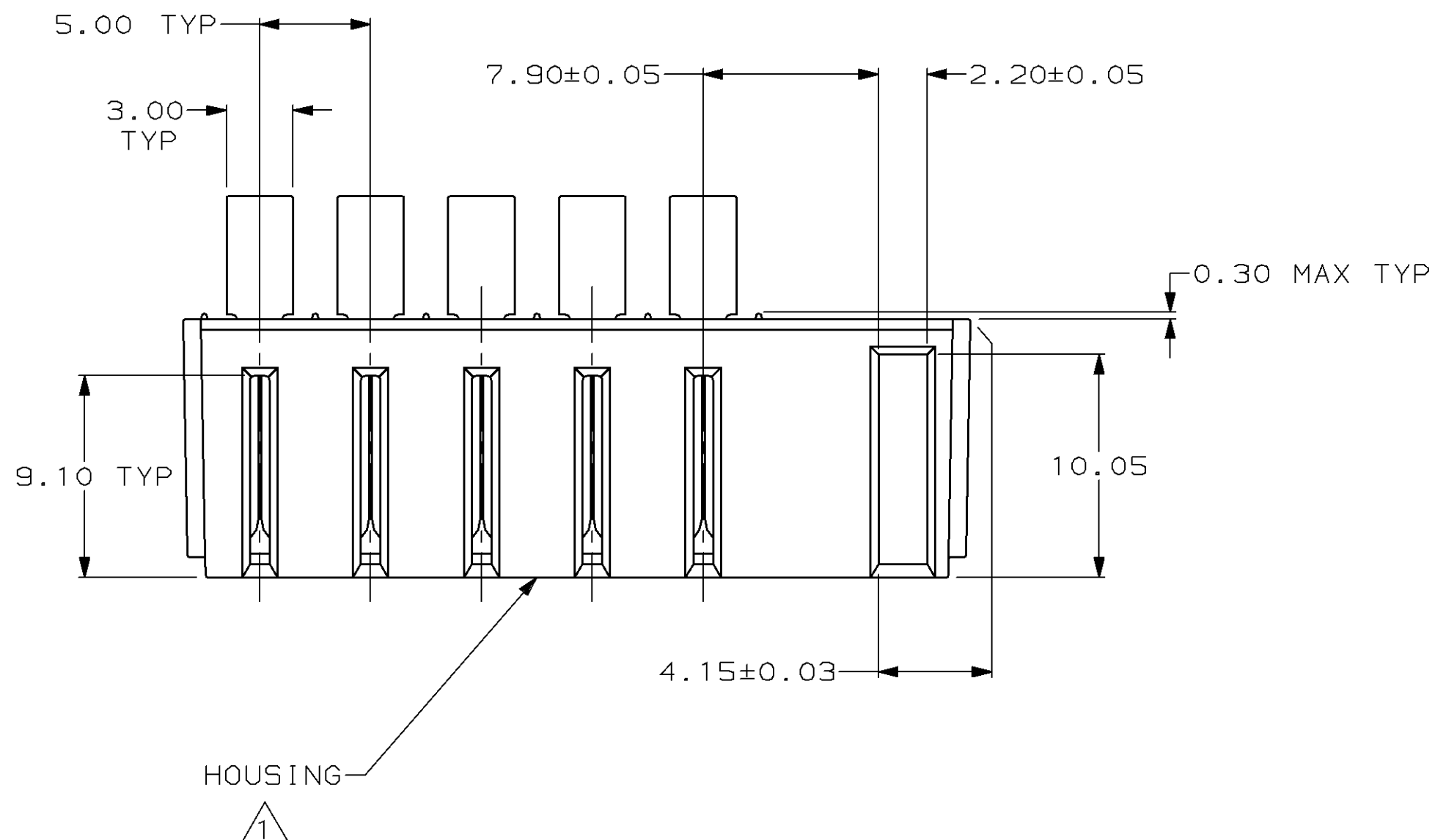
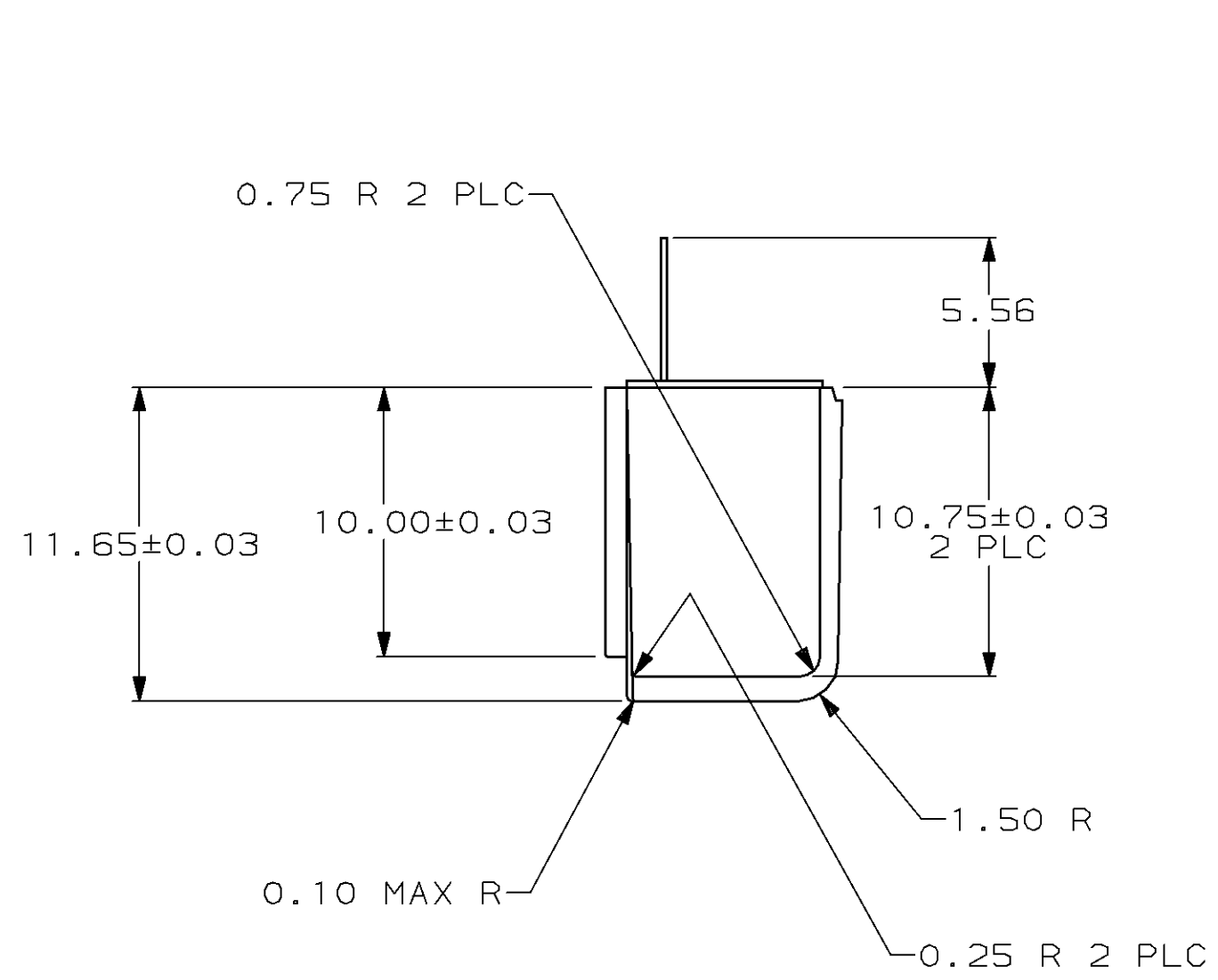


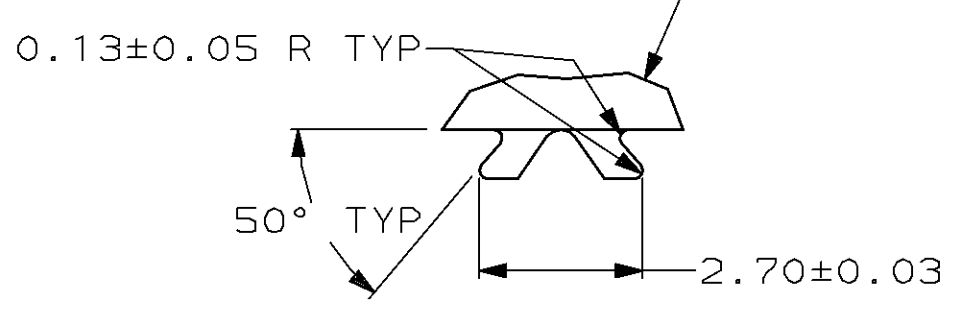
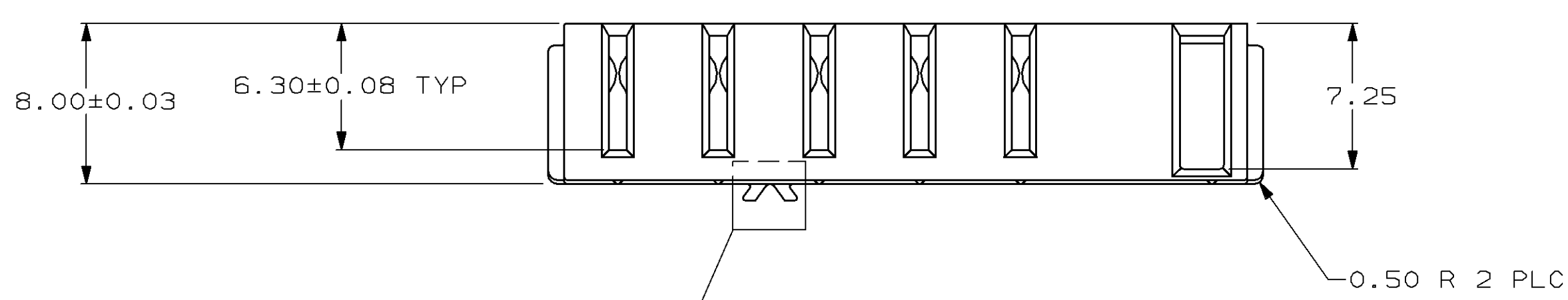
LOC		DIST		REVISIONS			
BD	39	P	LTR	DESCRIPTION	DATE	DWN	APVD
		0		RLSE -1 PRE NPR 5430 WAS 95-2258-2-1	10-10-95	RSK	RSK



- ① HOUSING: LEXAN 940, BLACK.
- ② CONTACTS: PHOSPHOR BRONZE.
- ③ FINISH: PRE-NICKEL.



SUGGESTED CAVITY



SCALE 8:1

787614-1
PART NO

<small>THIS DRAWING IS A CONTROLLED DOCUMENT FOR AMP INCORPORATED. IT IS SUBJECT TO CHANGE AND THE CONTROLLING ENGINEERING DEPARTMENT SHALL BE CONTACTED FOR THE LATEST REVISION.</small>		DWN R. S. KLINE 10-10-95 CHK R. S. KLINE 10-12-95 APVD R. S. KLINE 10-12-95	AMP AMP Incorporated Harrisburg, PA 17105-3608
DIMENSIONS: mm	TOLERANCES UNLESS OTHERWISE SPECIFIED: 0 PLC ±- 1 PLC ±- 2 PLC ±0.13 3 PLC ±- 4 PLC ±- ANGLES ±2°	NAME R. S. KLINE PRODUCT SPEC APPLICATION SPEC	NAME INSERT ASSEMBLY, 5 POSN, DOVETAIL LOCATOR, 10.8V KEY SLOT, BATTERY INTERCONNECT
MATERIAL SEE CALLOUTS	FINISH SEE CALLOUTS	WEIGHT -	SIZE A1 CAGE CODE 00779 DRAWING NO 787614 SCALE 4:1 SHEET 1 OF 1 REV 0
		CUSTOMER DRAWING	