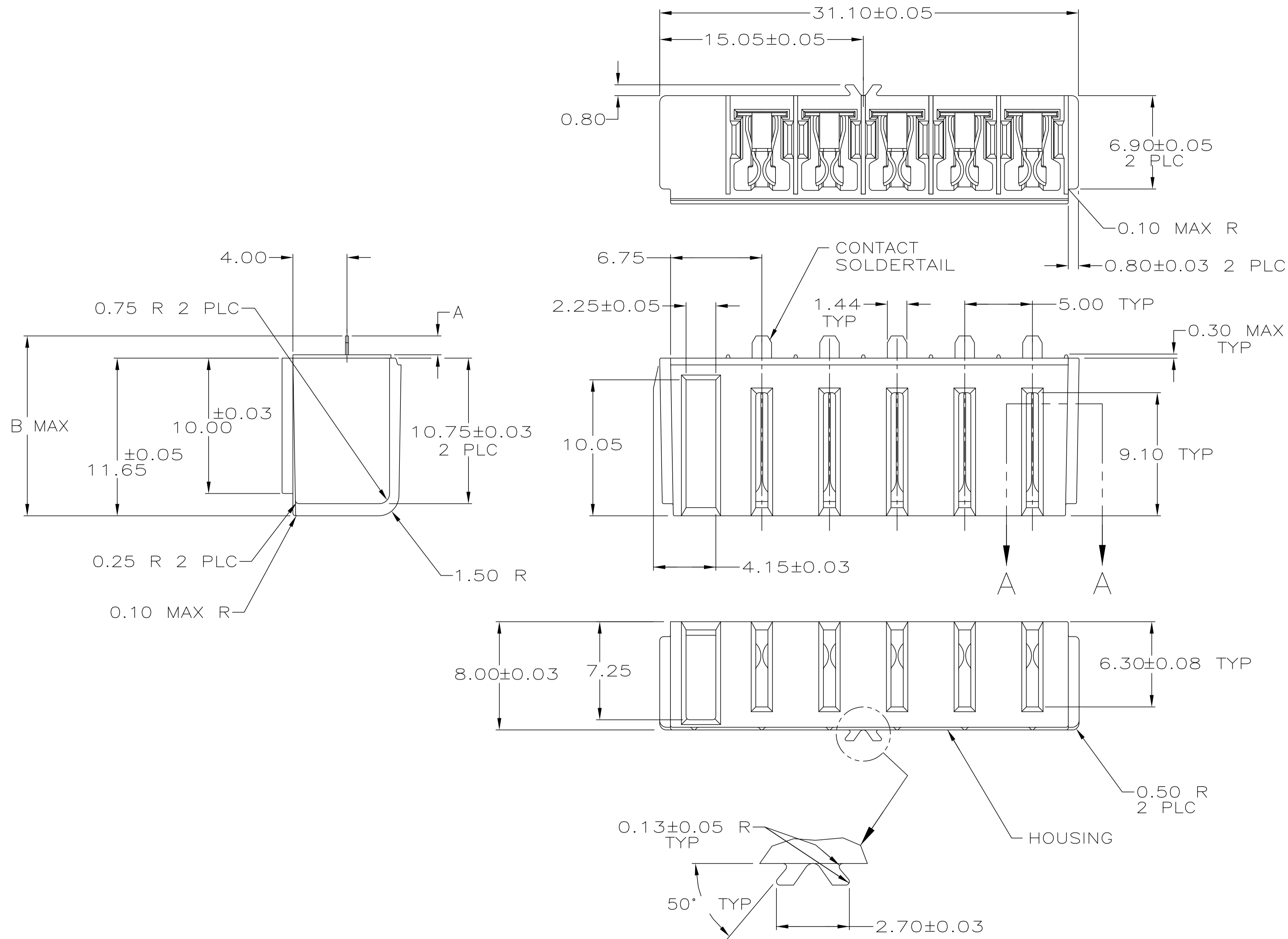
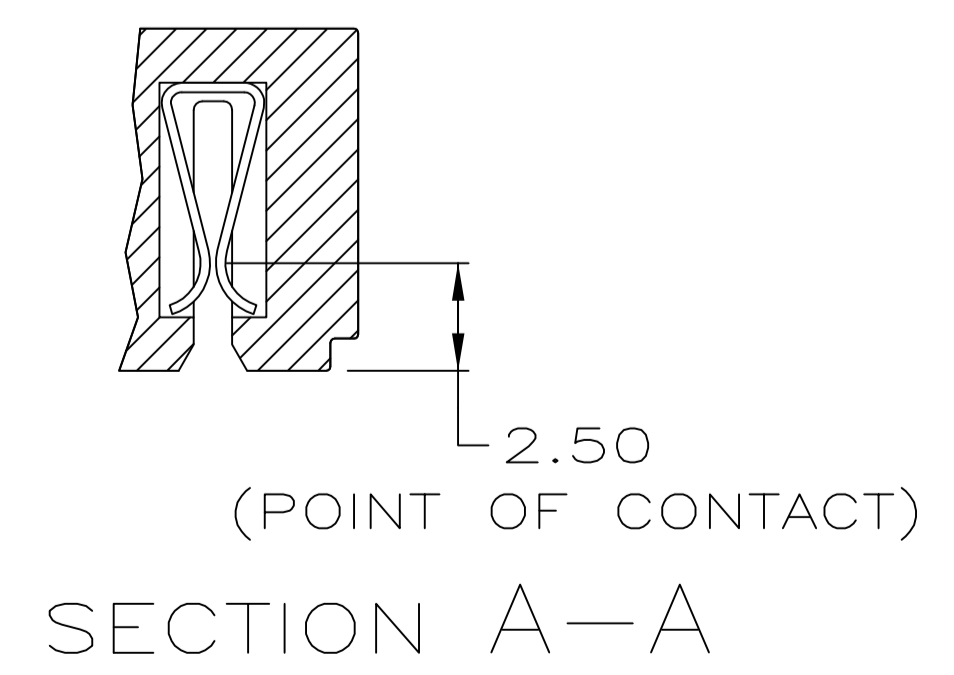
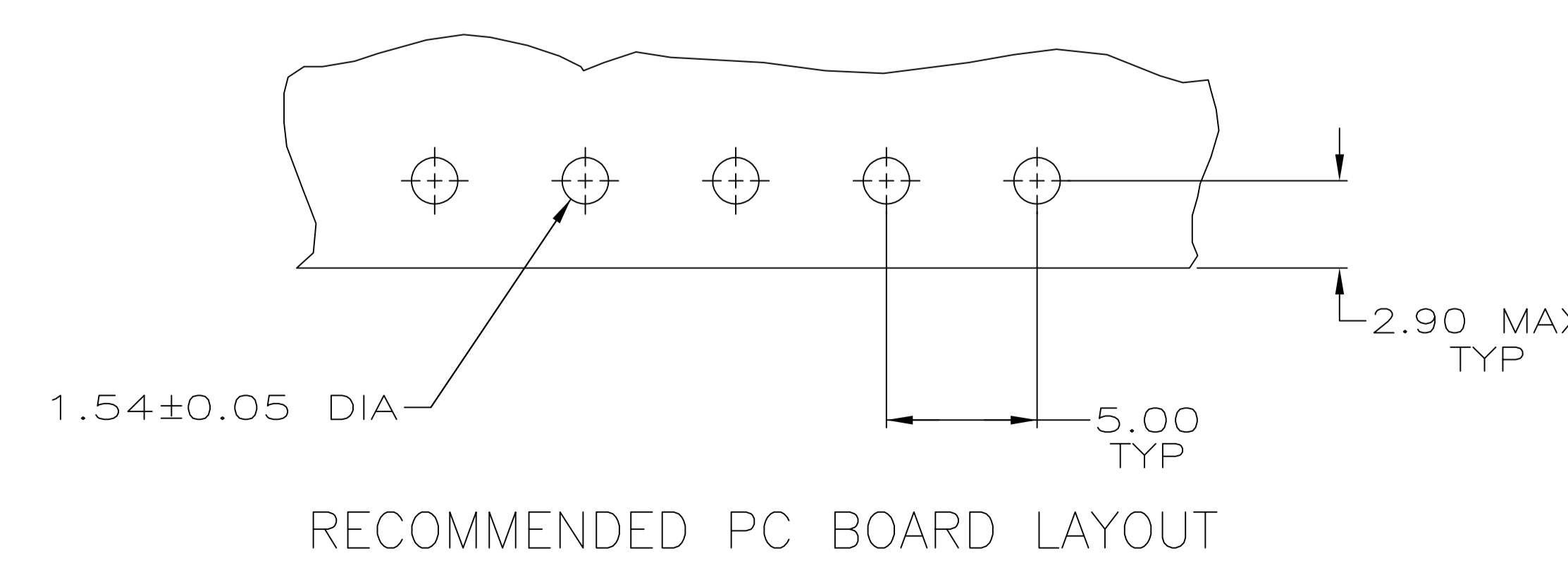
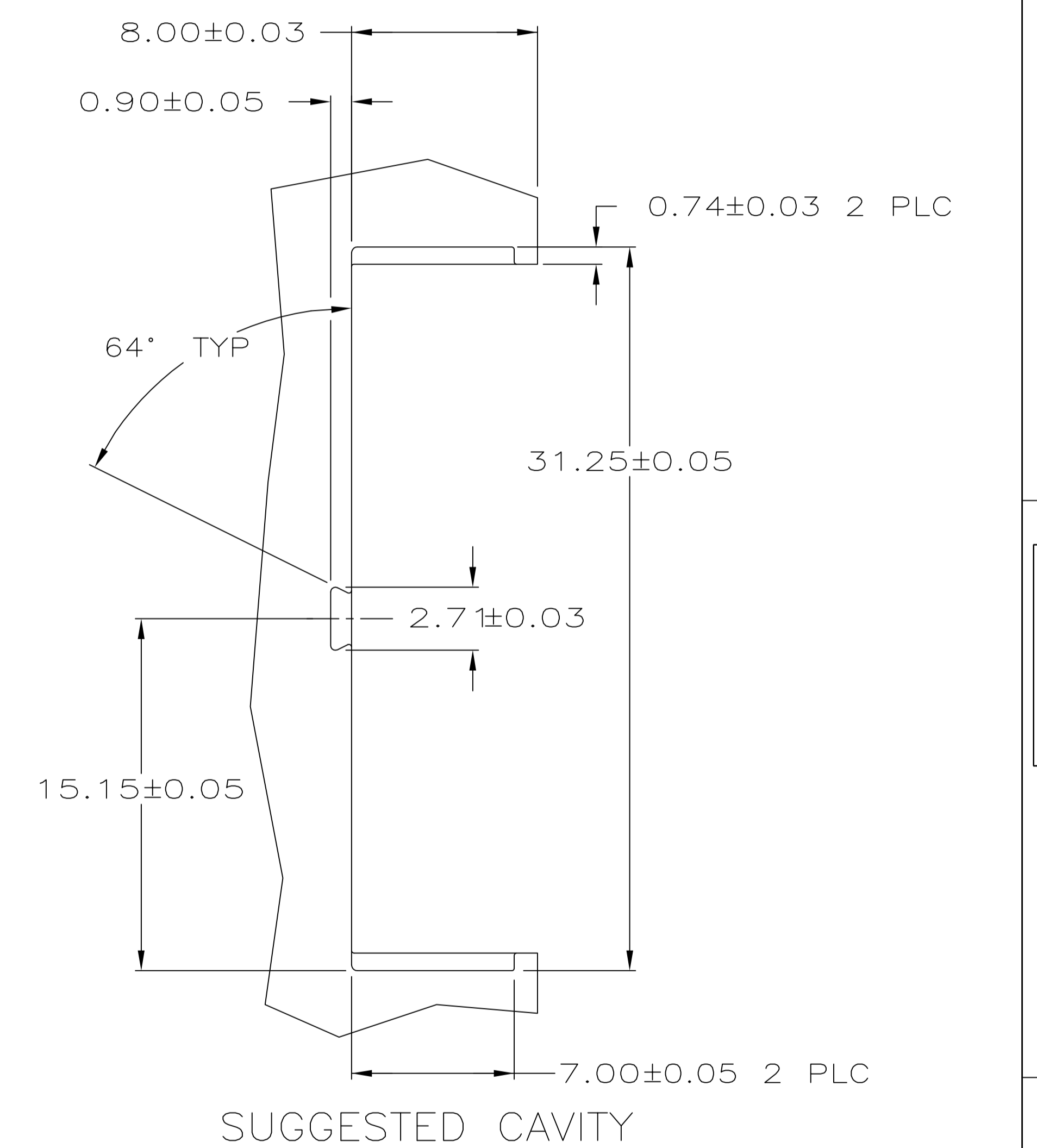


LOC	DIST	REVISIONS			
P	LTR	DESCRIPTION	DATE	DWN	APVD
AR	0				
	E1	REVISED PER ECO-09-022908	08OCT09	KK	AEG
	E2	REVISED PER ECR-14-010527	16JUL14	RK	JHA



- ① HOUSING: POLYPHTHALAMIDE, BLACK.
CONTACT: PHOSPHOR BRONZE.
- ② CONTACT: 1.30μm MIN TIN-LEAD ON SOLDERTAIL OVER
1.90μm MIN NICKEL ON ENTIRE CONTACT.
- ③ OBSOLETE PARTS: OBSOLETE CIS STREAMLINING
PER D.RENAUD/D.SINISI



③ OBSOLETE	12.95	0.85	787590-2
SUPERCEDED BY 5787590-1	13.5	1.40	787590-1
	B	A	PART NUMBER

THIS DRAWING IS A CONTROLLED DOCUMENT FOR AMP INCORPORATED. IT IS SUBJECT TO CHANGE AND THE CONTROLLING ENGINEERING ORGANIZATION SHOULD BE CONTACTED FOR THE LATEST REVISION.		DWN C. OBERMAN 19 SEP 95	TE Connectivity	
DIMENSIONS: mm		CHK R. STONE 20 SEP 95	NAME INSERT ASSEMBLY, 5 POSITION, DOVETAIL LOCATOR, WITH SOLDERTAIL, 5mm CENTERLINE, 7.2 VOLTS, BATTERY INTERCONNECT	
TOLERANCES UNLESS OTHERWISE SPECIFIED: 0 PLC ±- 1 PLC ±- 2 PLC ±0.10 3 PLC ±- 4 PLC ±- ANGLES ±2'		APVD R. KLINE 20 SEP 95	PRODUCT SPEC 108-1501	SIZE A2
MATERIAL		APPLICATION SPEC 114-24005	CAGE CODE 00779	DRAWING NO C-787590
FINISH		WEIGHT -	SCALE 4:1	SHEET 1 OF 1
CUSTOMER DRAWING		REV E		