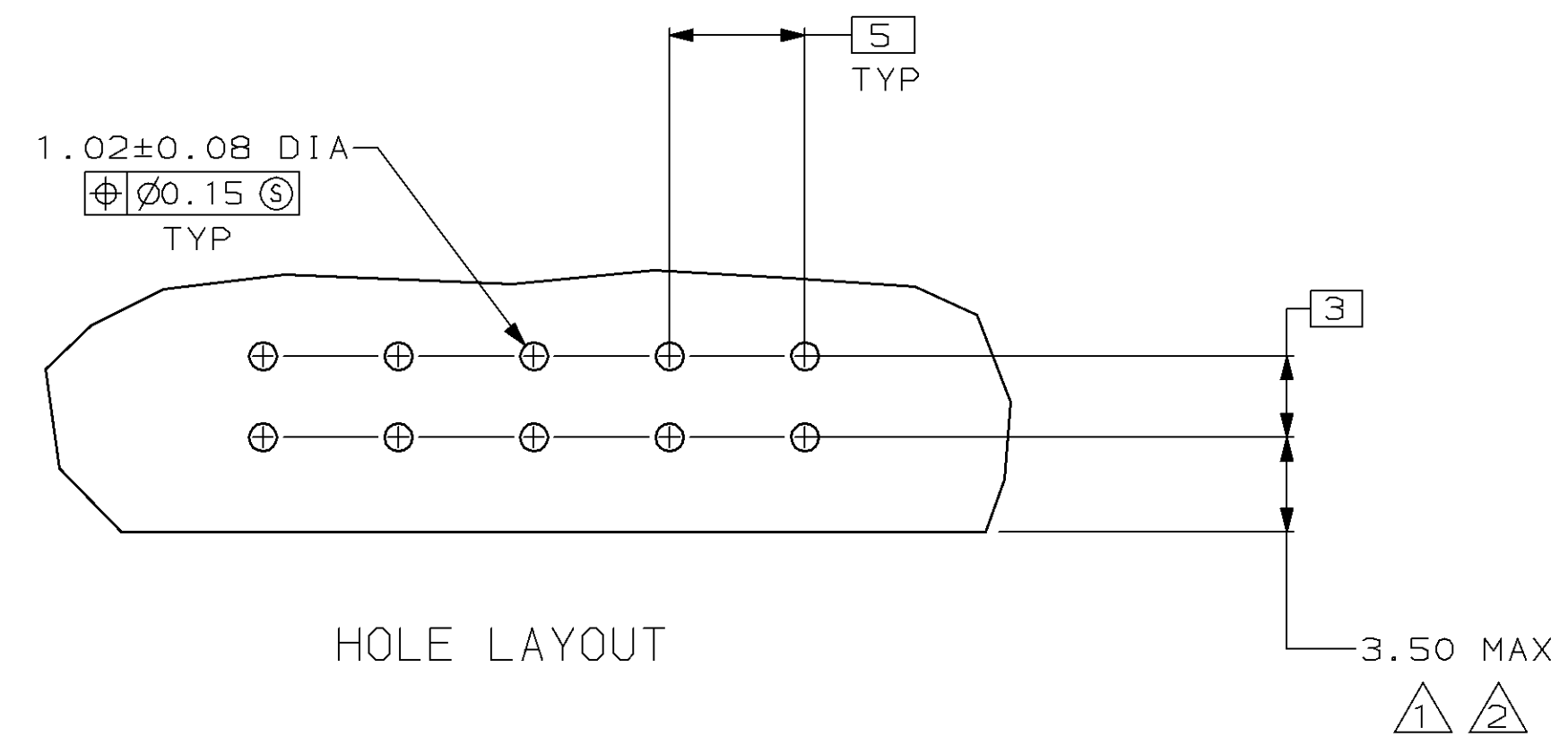
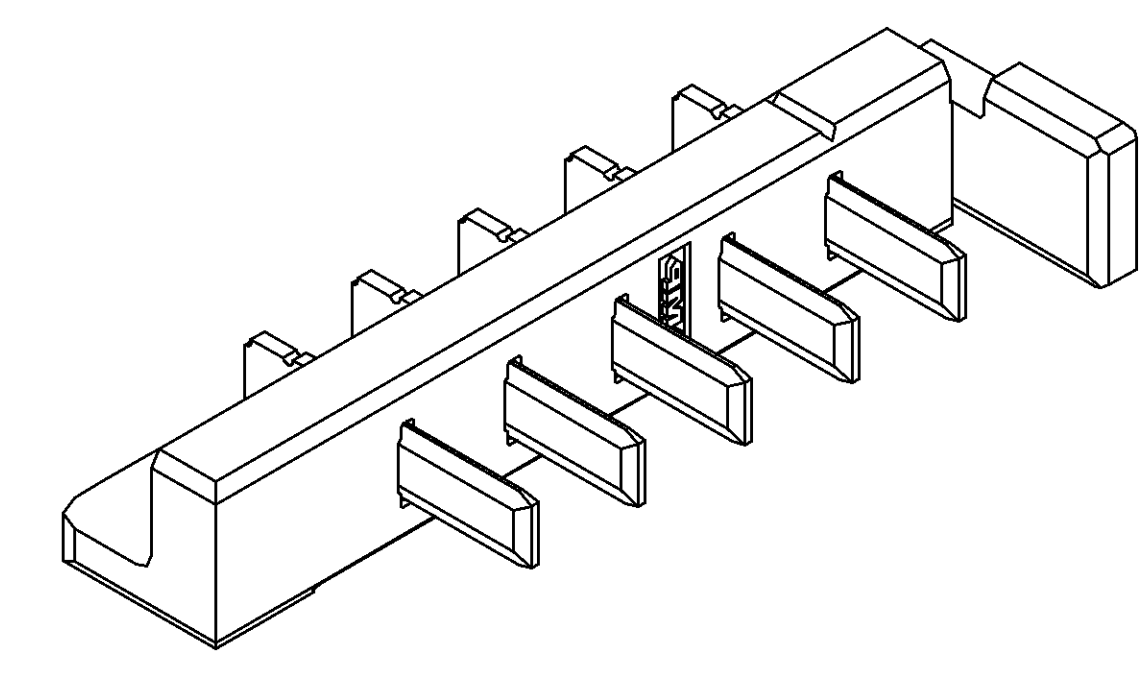
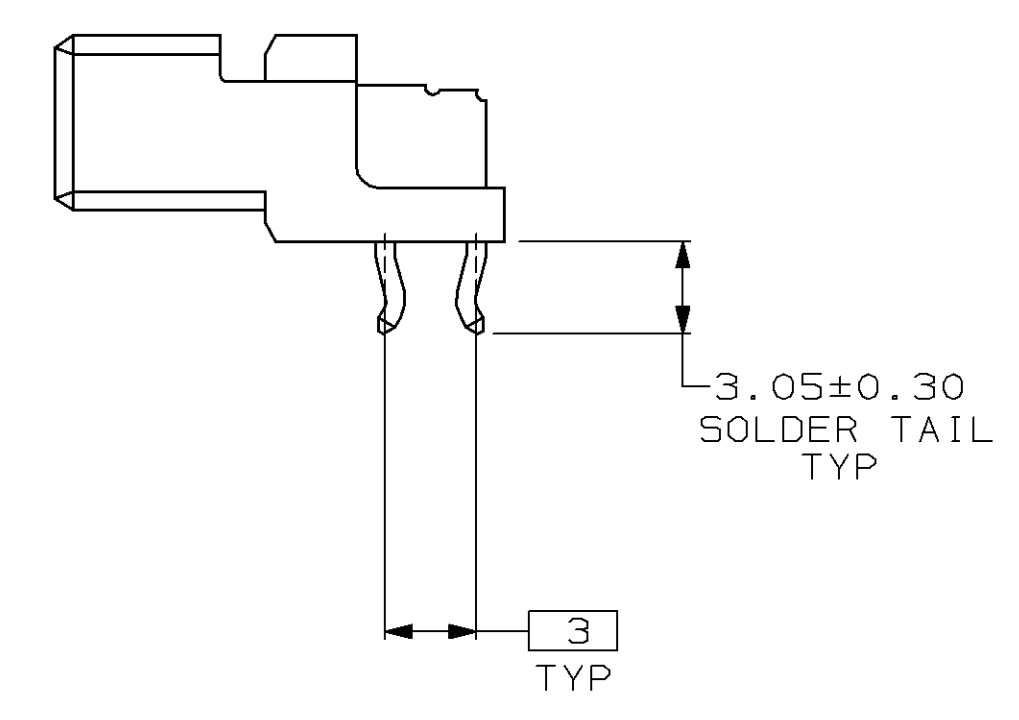
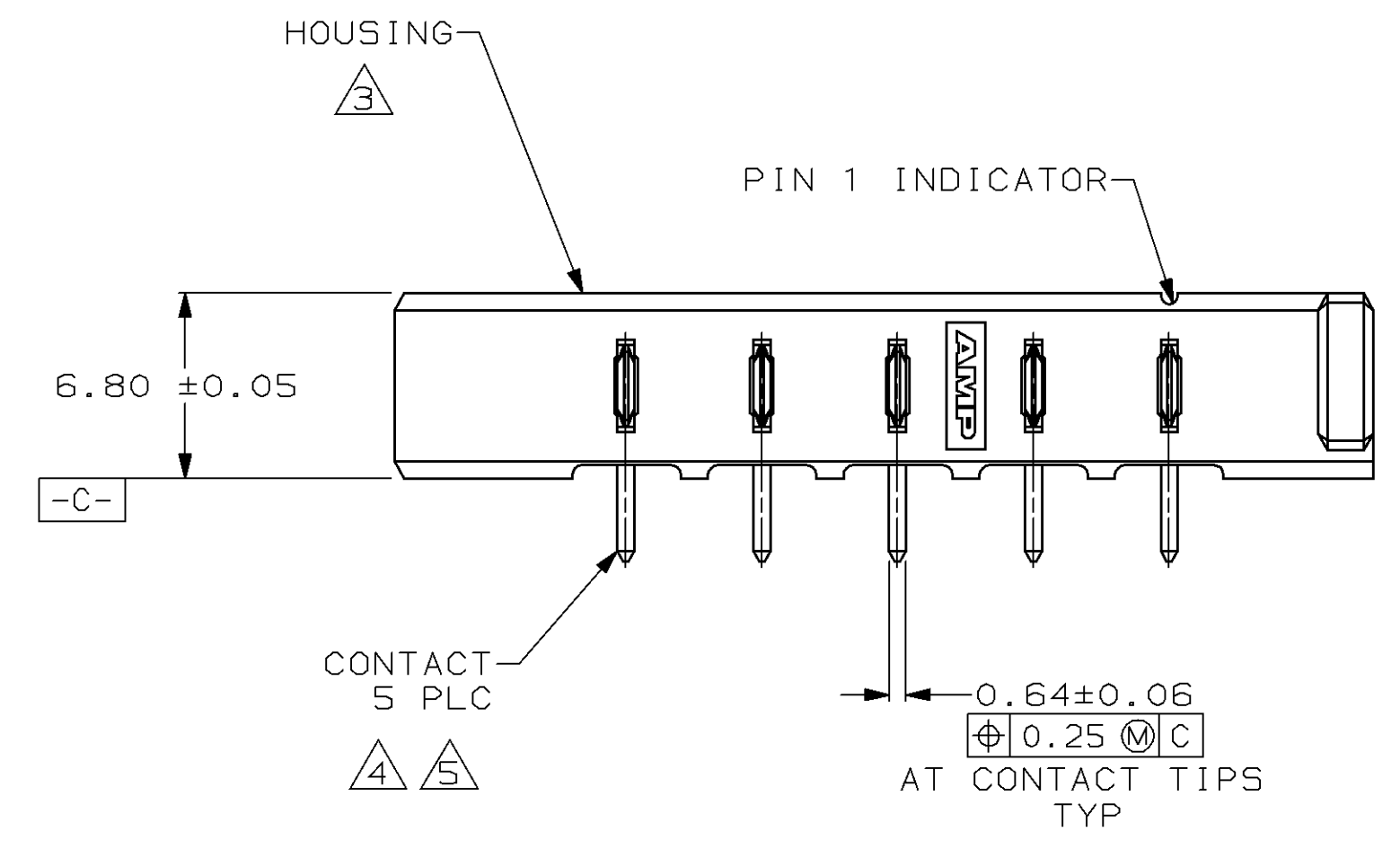
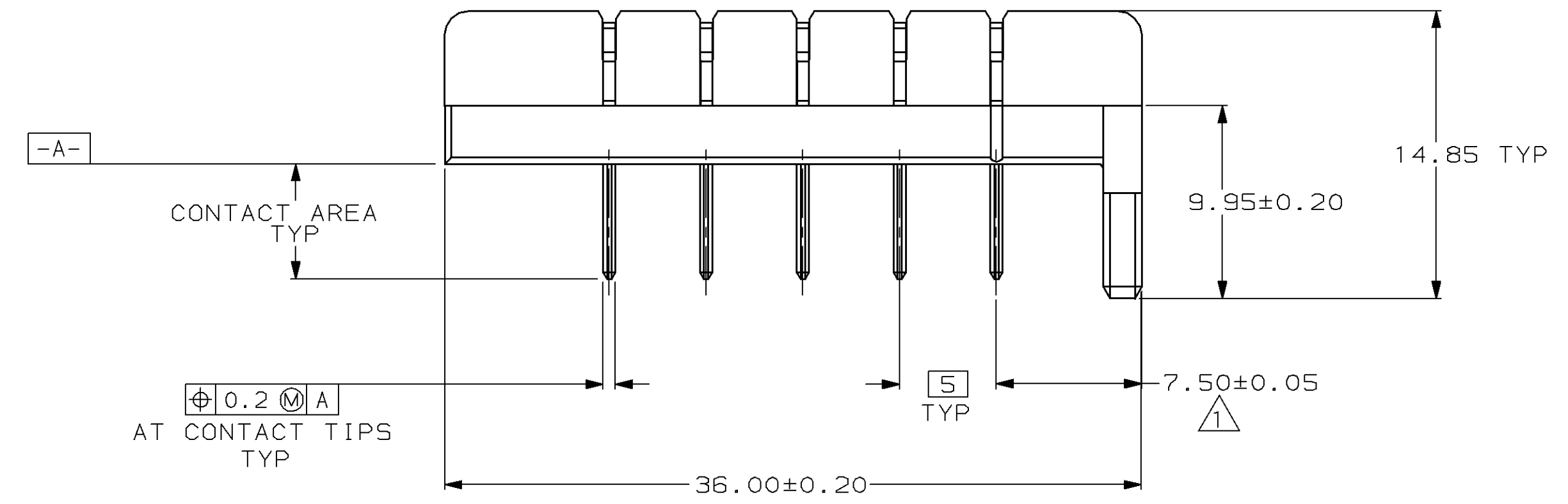


LOC	DIST	REVISIONS			
P	LTR	DESCRIPTION	DATE	OWN	APPV
0		RLSE -1 PER NPR 5304 WAS 95-2197-09-1	03/15/95	SK	SK
A		REV PER EC 0020-0657-96	12/06/96	JR	RS

- ① COORDINATE DIMENSION APPLIES FROM CENTER OF ACTUAL FEATURE.
- ② DIMENSION CAN BE EXCEEDED FOR APPLICATIONS WHERE FINAL MATED POSITION OF PACK IS ABOVE TOP SURFACE OF PCB.
- ③ LCP, BLACK
- ④ 2.54μm MIN TIN-LEAD ON SOLDER TAIL OVER
- ⑤ 1.90μm MIN NICKEL ALL OVER.
- ⑥ CONTACTS: BRASS



787424-1
PART NO

<small>THIS DRAWING IS A CONTROLLED DOCUMENT FOR AMP INCORPORATED. IT IS SUBJECT TO CHANGE AND THE CONTROLLING ENGINEERING DEPARTMENT SHOULD BE CONTACTED FOR THE LATEST REVISION.</small>		DWN S. KLINE 03/15/95 CHK S. KLINE 03-16-95 AMP'D S. KLINE 03-16-95	AMP Incorporated Harrisburg, PA 17105-3608
DIMENSIONS: mm	TOLERANCES UNLESS OTHERWISE SPECIFIED: 0 PLC ±- 1 PLC ±- 2 PLC ±0.13 3 PLC ±- 4 PLC ±- ANGLES ±-	NAME HEADER ASSEMBLY, RIGHT ANGLE, RIGHT VOLTAGE KEY, 12V, RETENTIVE SOLDER TAILS, BATTERY INTERCONNECT PRODUCT SPEC 108-1501 APPLICATION SPEC 114-24005	SIZE A1 CAGE CODE 00779 DRAWING NO 787424
MATERIAL SEE CALLOUTS	FINISH SEE CALLOUTS	WEIGHT - CUSTOMER DRAWING	SCALE 4:1 SHEET 1 OF 1 REV A