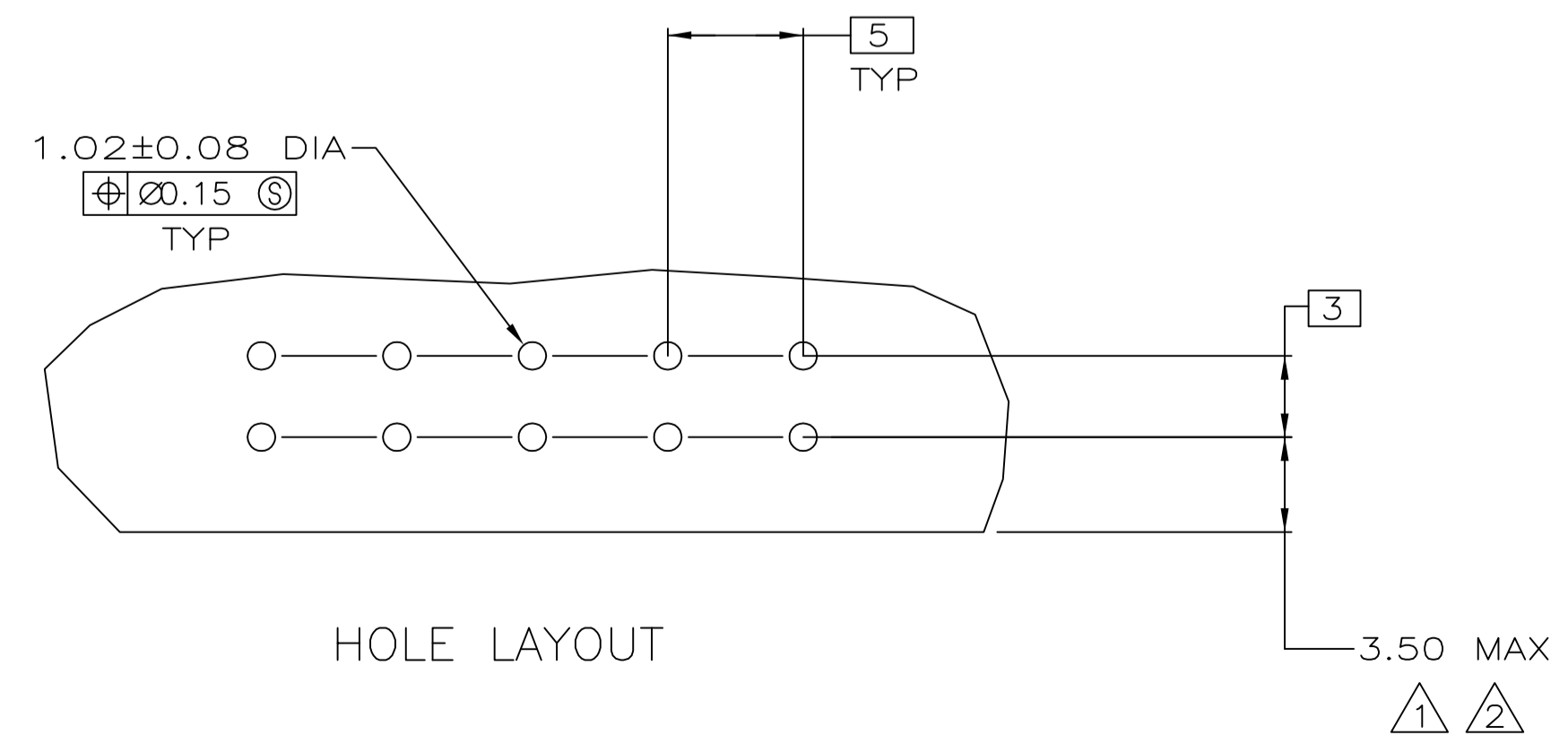
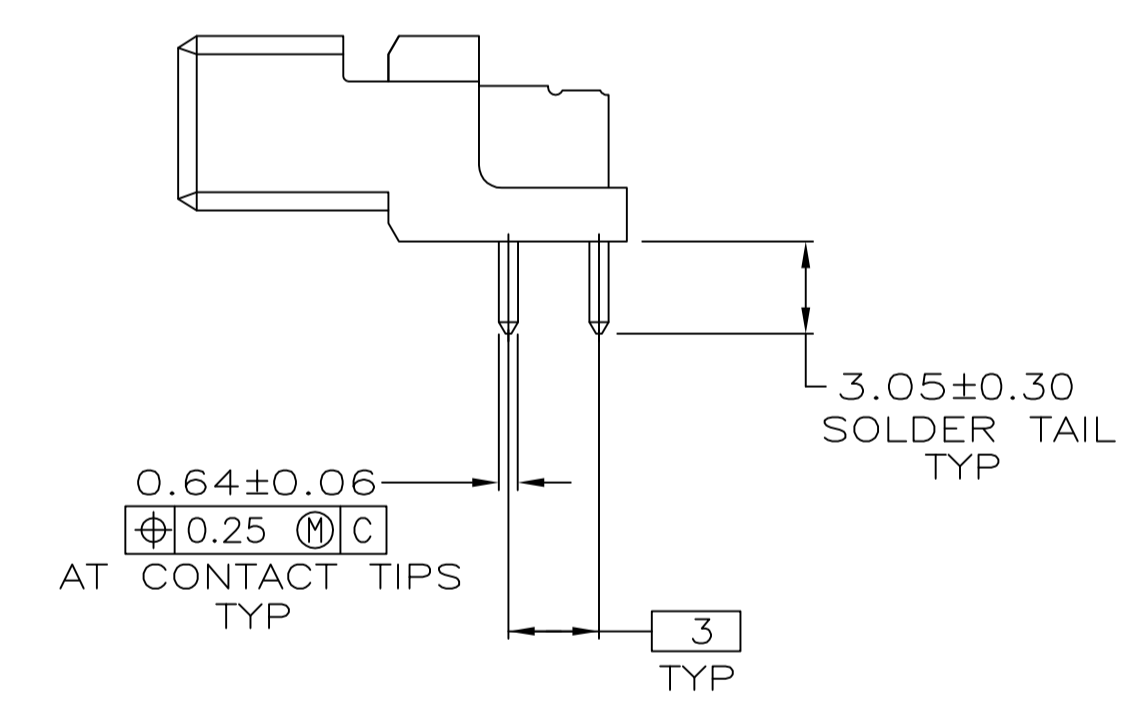
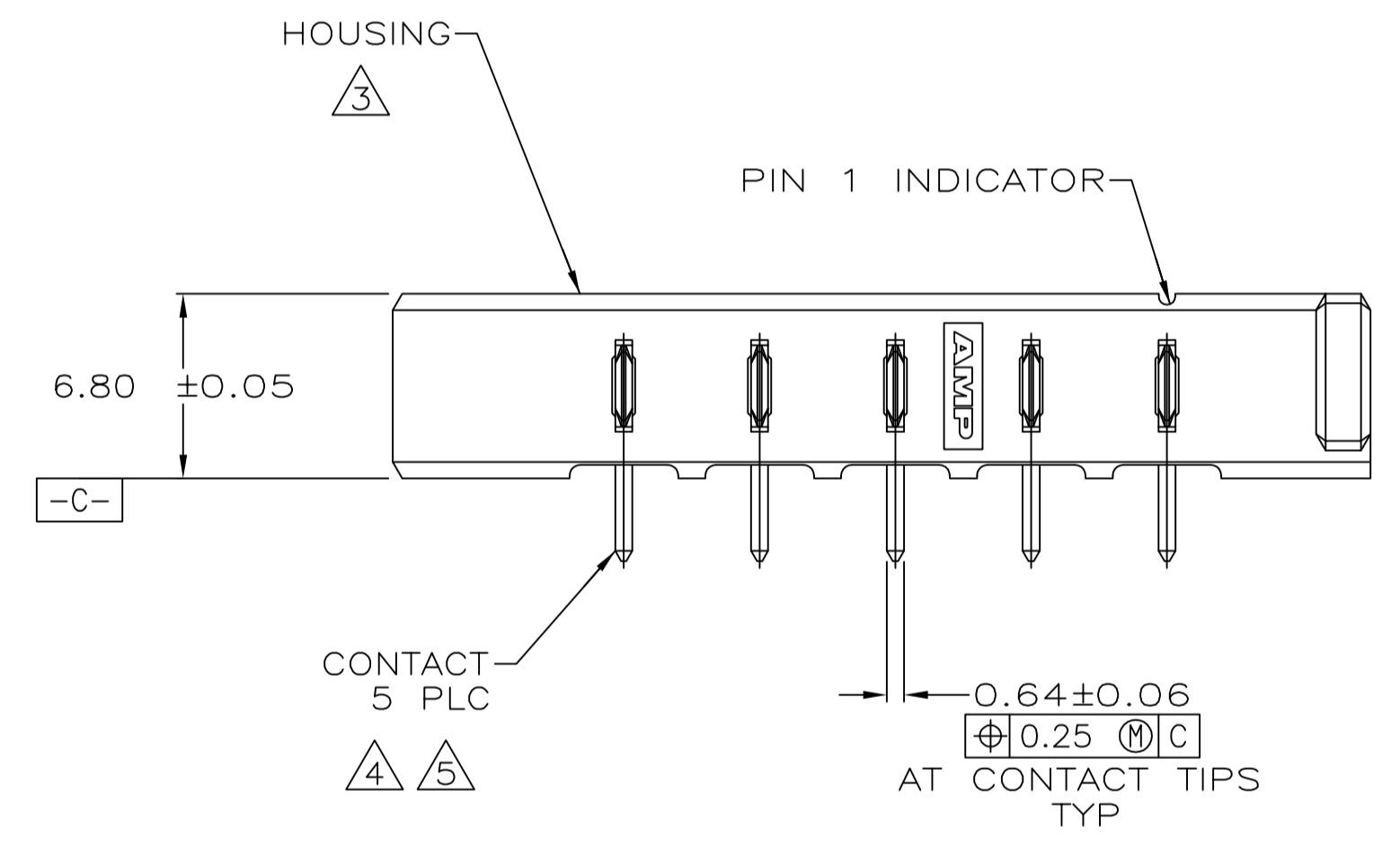
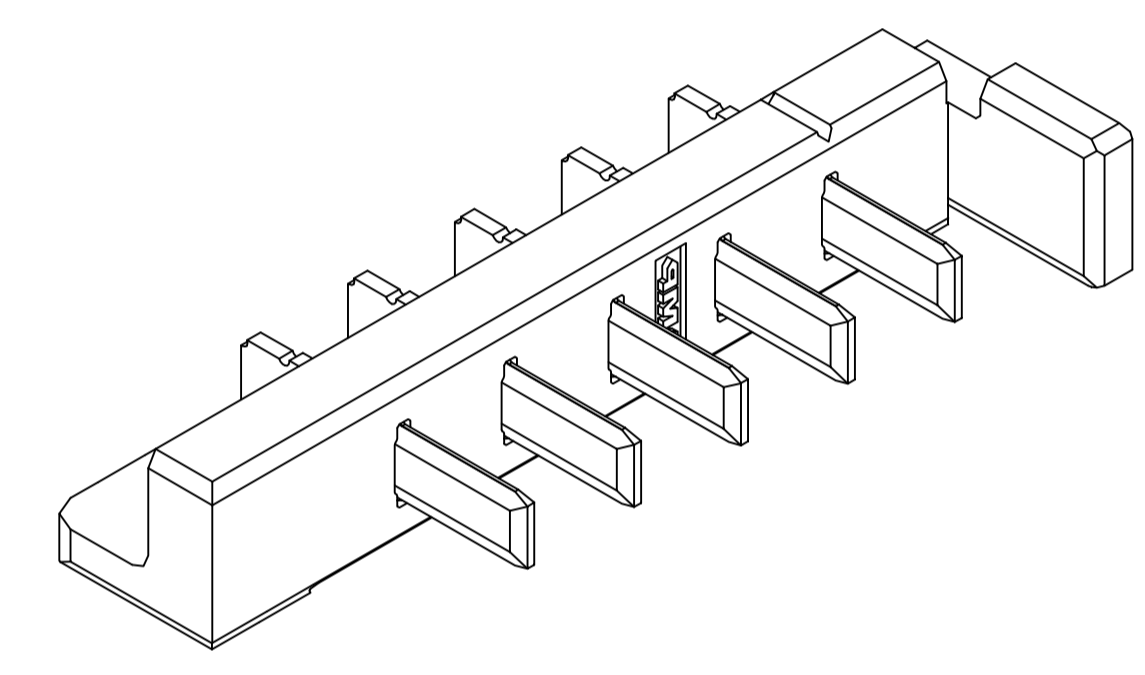
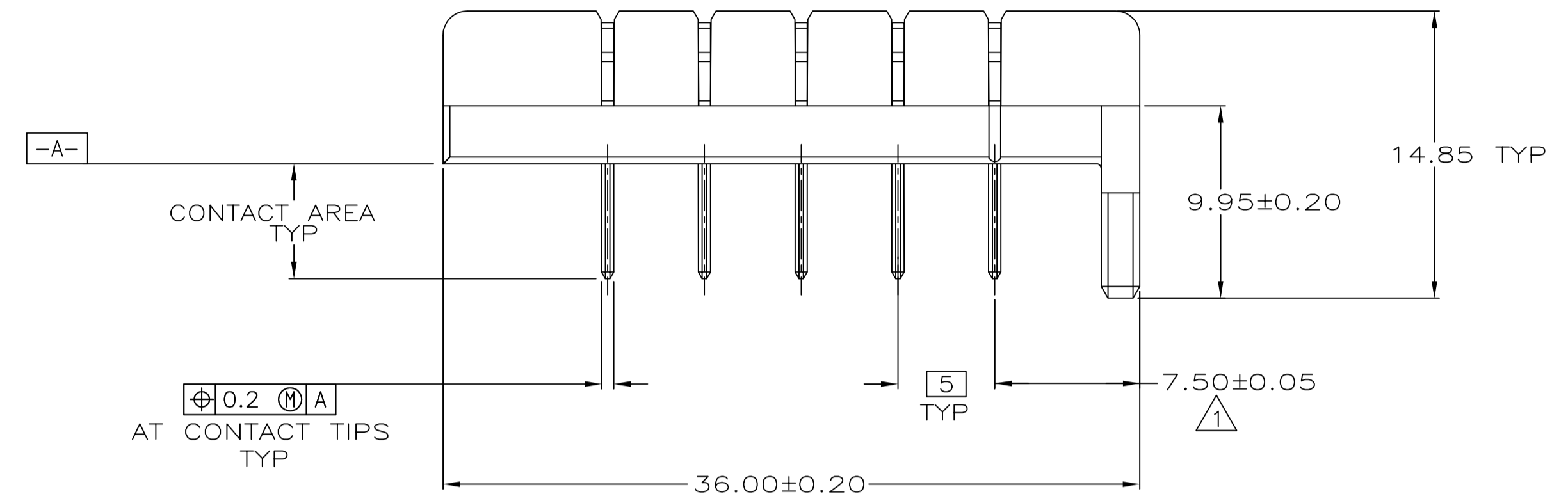


LOC		DIST		REVISIONS			
AD	39	P	LTR	DESCRIPTION	DATE	DWN	APVD
		0		RLSE -1 PER NPR 5304 WAS 95-2197-08-1	03/15/95	SK	SK
		A		REV PER EC 0020-0657-96	12/06/96	JR	RS
		A1		REVISED PER ECR-14-009533	07/07/14	AP	JHA

- △ COORDINATE DIMENSION APPLIES FROM CENTER OF ACTUAL FEATURE.
- △ DIMENSION CAN BE EXCEEDED FOR APPLICATIONS WHERE FINAL MATED POSITION OF PACK IS ABOVE TOP SURFACE OF PCB.
- △ LCP, BLACK
- △ 2.54µm MIN TIN-LEAD ON SOLDER TAIL OVER
- △ 1.90µm MIN NICKEL ALL OVER.
- △ CONTACTS: BRASS



SUPERCEDED BY 5787422-1 | 787422-1  
 PART NO

<small>THIS DRAWING IS A CONTROLLED DOCUMENT FOR AMP INCORPORATED. IT IS SUBJECT TO CHANGE AND THE CONTROLLING ENGINEERING ORGANIZATION SHOULD BE CONTACTED FOR THE LATEST REVISION.</small>		DWN	S. KLINE	03/15/95	TE Connectivity
		CHK	S. KLINE	03-16-95	
DIMENSIONS: mm TOLERANCES UNLESS OTHERWISE SPECIFIED: 0 PLC ± 1 PLC ± 2 PLC ±0.13 3 PLC ± 4 PLC ± ANGLES ±		APVD	S. KLINE	03-16-95	NAME
		PRODUCT SPEC 108-1501		HEADER ASSEMBLY, RIGHT ANGLE, RIGHT VOLTAGE KEY, 12V, STRAIGHT SOLDER TAILS, BATTERY INTERCONNECT	
MATERIAL SEE CALLOUTS		APPLICATION SPEC 114-24005		SIZE	A1
FINISH SEE CALLOUTS		WEIGHT -		CAGE CODE	000779
		CUSTOMER DRAWING		DRAWING NO	787422
				SCALE	4:1
				SHEET	1 OF 1
				REV	A1