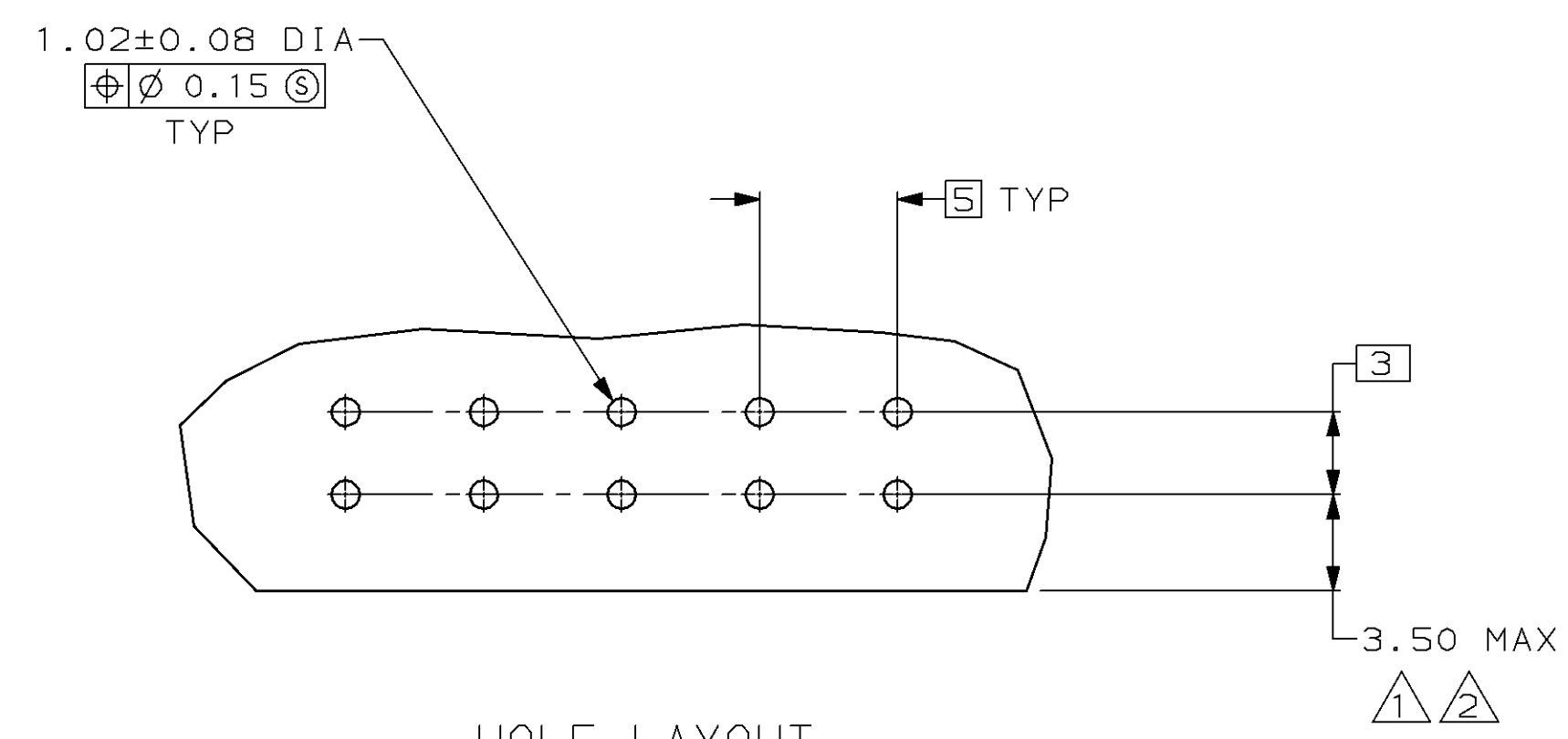
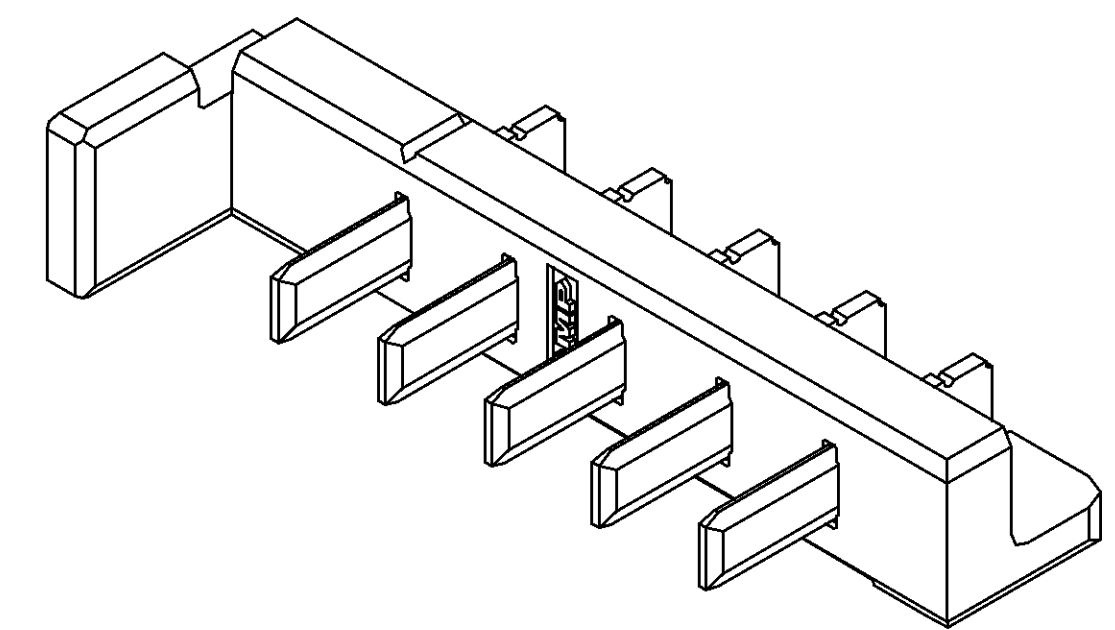
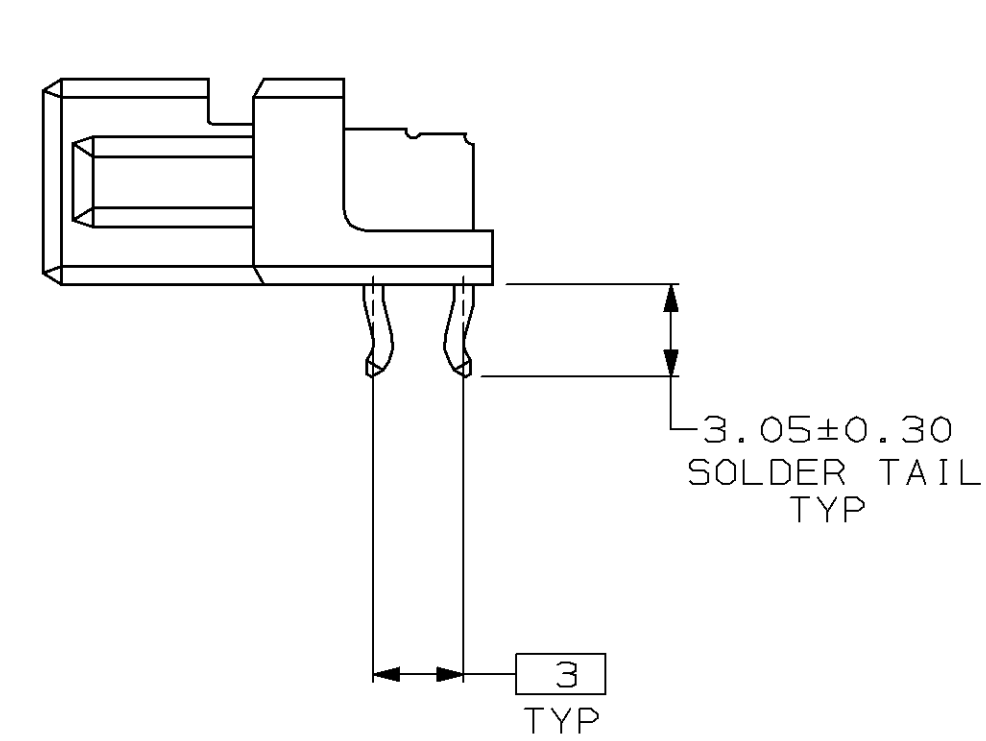
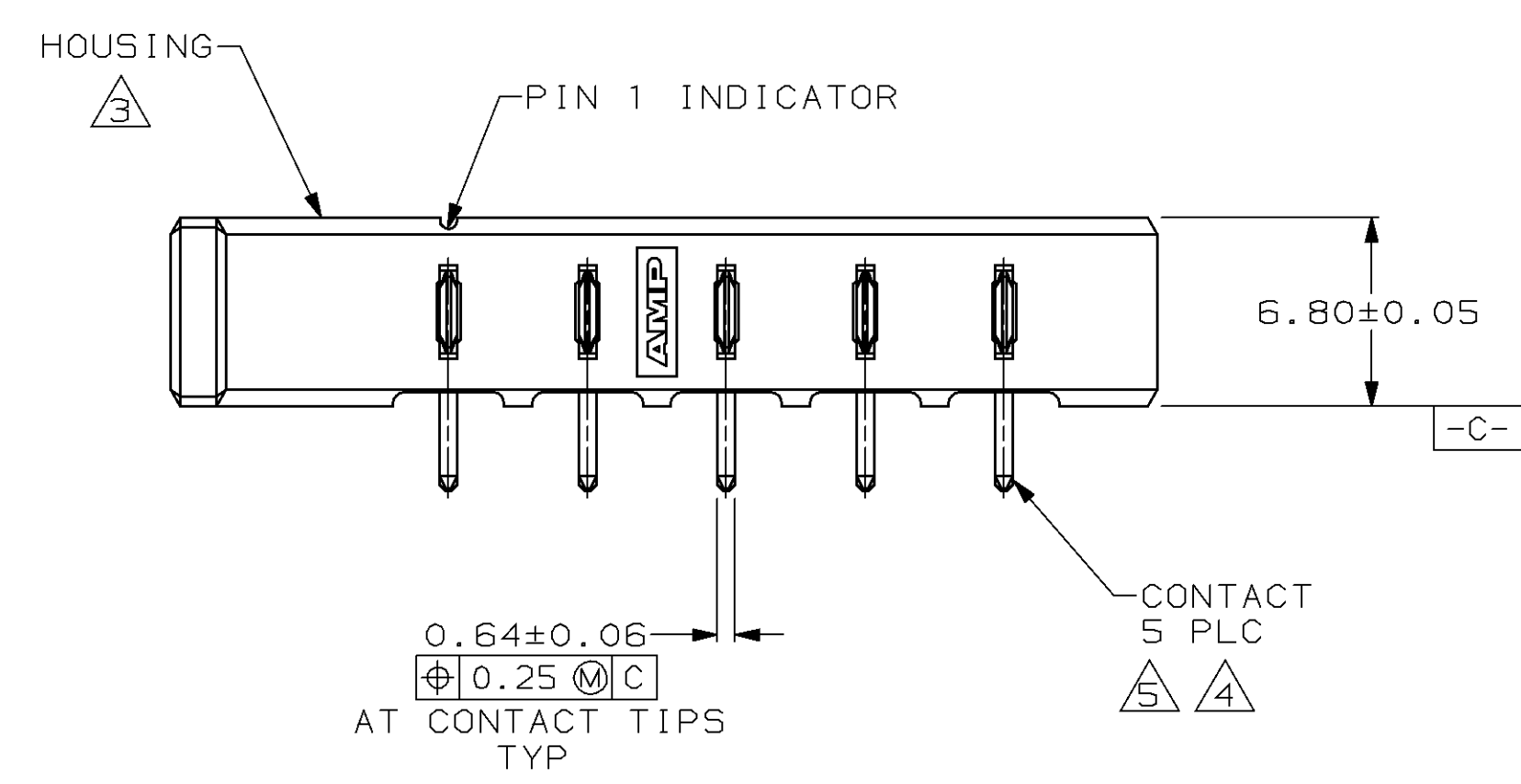
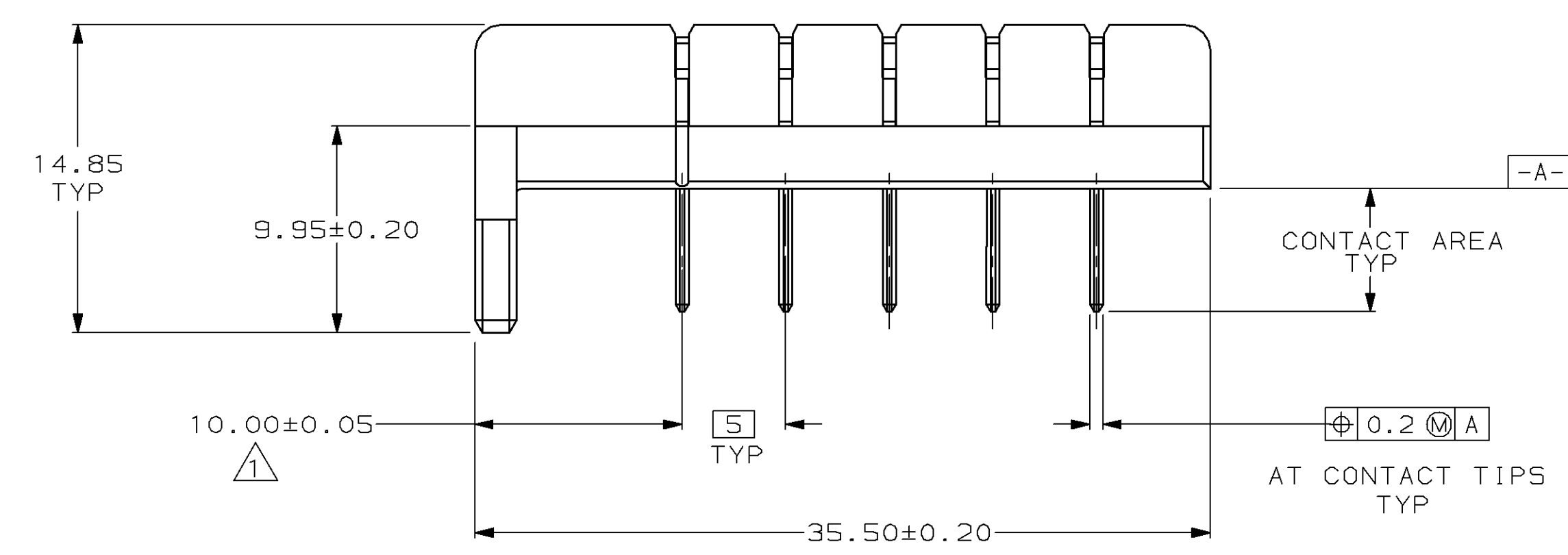


LOC	DIST	REV	DESCRIPTION	DATE	OWN	APVD
AD	39	0	RLSE -1 PER NPR 5302 WAS 95-2197-04-1	03-27-95	SK	SK
		A	REV PER EC 0020-0657-96	12/06/96	JR	RS

- ① COORDINATE DIMENSION APPLIES FROM CENTER OF ACTUAL FEATURE.
- ② DIMENSION CAN BE EXCEEDED FOR APPLICATIONS WHERE FINAL MATED POSITION OF PACK IS ABOVE TOP SURFACE OF PCB.
- ③ LCP, BLACK
- ④ 2.54µm MIN TIN-LEAD ON SOLDER TAIL OVER  
1.90µm MIN NICKEL ALL OVER.
- ⑤ CONTACTS: BRASS



787418-1  
PART NO

<small>THIS DRAWING IS A CONTROLLED DOCUMENT FOR AMP INCORPORATED. IT IS SUBJECT TO CHANGE AND THE CONTROLLING ENGINEERING DEPARTMENT SHOULD BE CONTACTED FOR THE LATEST REVISION.</small>		DWN S. KLINE 03-27-95 CHK S. KLINE 03-28-95 APVD S. KLINE 03-28-95	AMP Incorporated Harrisburg, PA 17105-3508
DIMENSIONS: mm	TOLERANCES UNLESS OTHERWISE SPECIFIED: 0 PLC ± 1 PLC ± 2 PLC ±0.13 3 PLC ± 4 PLC ± ANGLES ±	NAME: HEADER ASSEMBLY, RIGHT ANGLE, LEFT KEY, 5mm Ø, 5 POSN, 10.8V, RETENTIVE SOLDER TAILS, BATTERY INTERCONNECT	SIZE: A1 CAGE CODE: 00779 DRAWING NO: 787418
MATERIAL: SEE CALLOUTS	FINISH: SEE CALLOUTS	WEIGHT: - CUSTOMER DRAWING	SCALE: 4:1 SHEET: 1 OF 1 REV: A