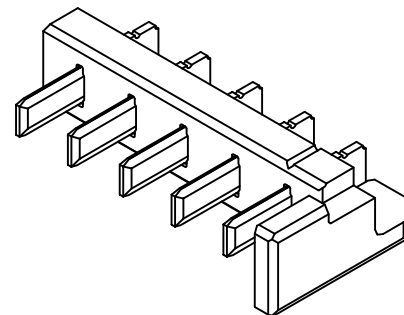
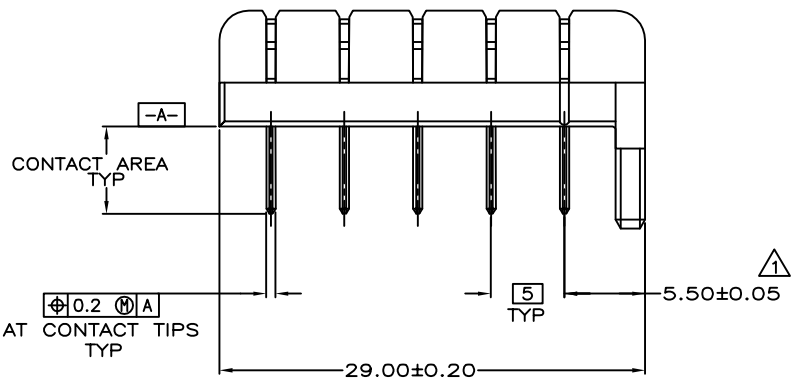
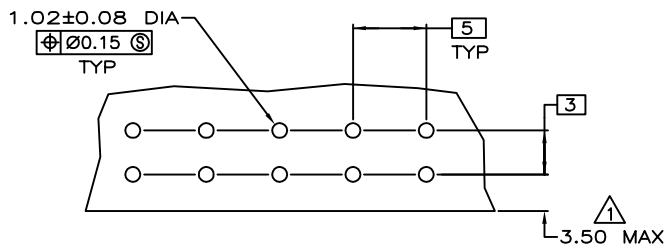
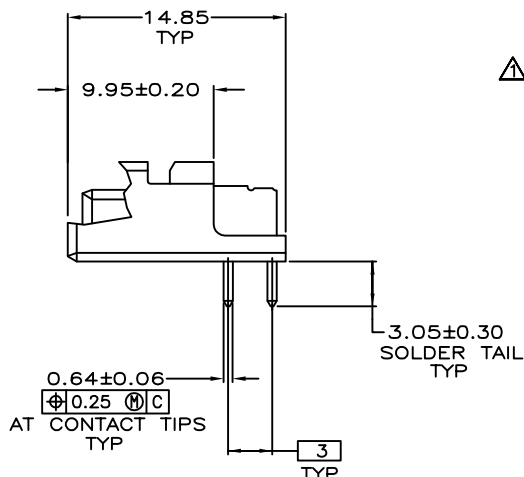
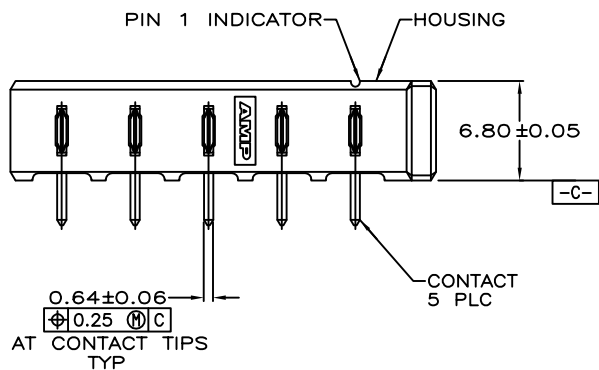


THIS DRAWING IS UNPUBLISHED. RELEASED FOR PUBLICATION .19
 © COPYRIGHT 19 BY AMP INCORPORATED. ALL INTERNATIONAL RIGHTS RESERVED.

LOC	DIST	P	F	ZONE	LTR	DESCRIPTION	DATE	APPD
ES	00					O RLSE -1 NPR 5055, WAS 93-1878-133-1	02/17/94	-
						A REV PER EC0020-346-94	04/14/94	RSK
						B REV PER EC0020-645-94	07/07/94	RSK
						D REVISED PER ECR-10-002761	02/09/10	S.Y
						DI REVISED PER ECR-14-009533	07/07/14	JHA



1 COORDINATE DIMENSION APPLIES FROM CENTER OF ACTUAL FEATURE.



HOLE LAYOUT

THIS DRAWING IS A CONTROLLED DOCUMENT FOR AMP INCORPORATED. IT IS SUBJECT TO CHANGE AND THE CONTROLLING ENGINEERING ORGANIZATION SHOULD BE CONTACTED FOR THE LATEST REVISION.

SUPERCEDED BY 5787142-1 787142-1

PART NO		PART NO	
DO NOT SCALE PRINT. UNLESS SPECIFIED DIMENSIONS IN mm TOLERANCES ON : 2 PLC DEC ± 0.10 3 PLC DEC ± - ANGLES ± -		DR 11/12/93 G.DOUTY	
MATERIAL HOUSING: LCP, BLACK CONTACTS: BRASS		CHK 02/17/94 S.KLINE	
FINISH CONTACTS: 2.54 μm MIN TIN-LEAD ON SOLDER TAIL OVER 1.90 μm MIN NICKEL ALL OVER		APPD 02/17/94 S.KLINE	
APPLICATION SPEC		PRODUCT SPEC 108-1501	
SIZE	CAGE CODE	NAME	
C	00779	HEADER ASSEMBLY, RIGHT ANGLE, 5mm ϕ , 5 POSITION, SINGLE KEY, RIGHT VOLTAGE KEY, STRAIGHT SOLDER TAILS, BATTERY INTERCONNECT, 7.2 VOLT	
SCALE	DRAWING NO	APPLICATION SPEC	
4:1	C-787142	WEIGHT -	
SHEET		SHEET	
1 OF 1		1 OF 1	