

4

3

2

1

THIS DRAWING IS UNPUBLISHED.

RELEASED FOR PUBLICATION

20

© COPYRIGHT 20

BY TYCO ELECTRONICS CORPORATION. ALL RIGHTS RESERVED.

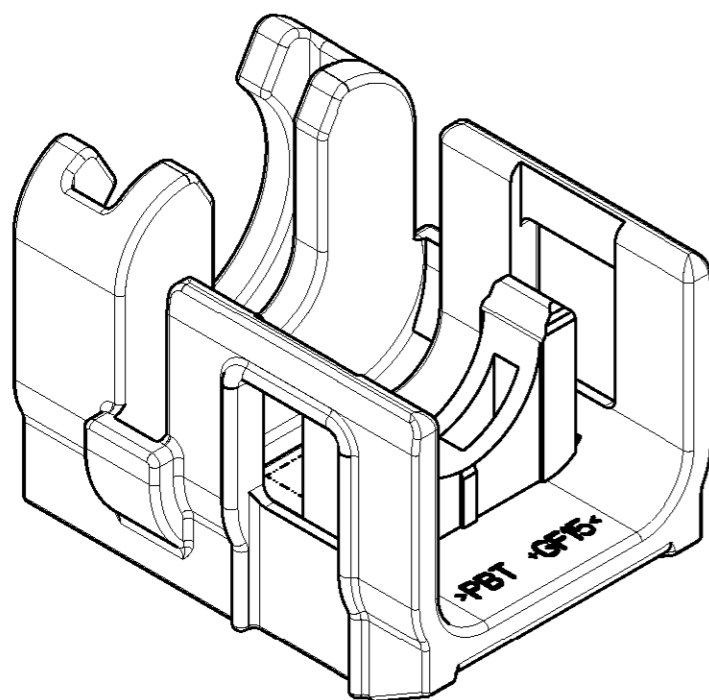
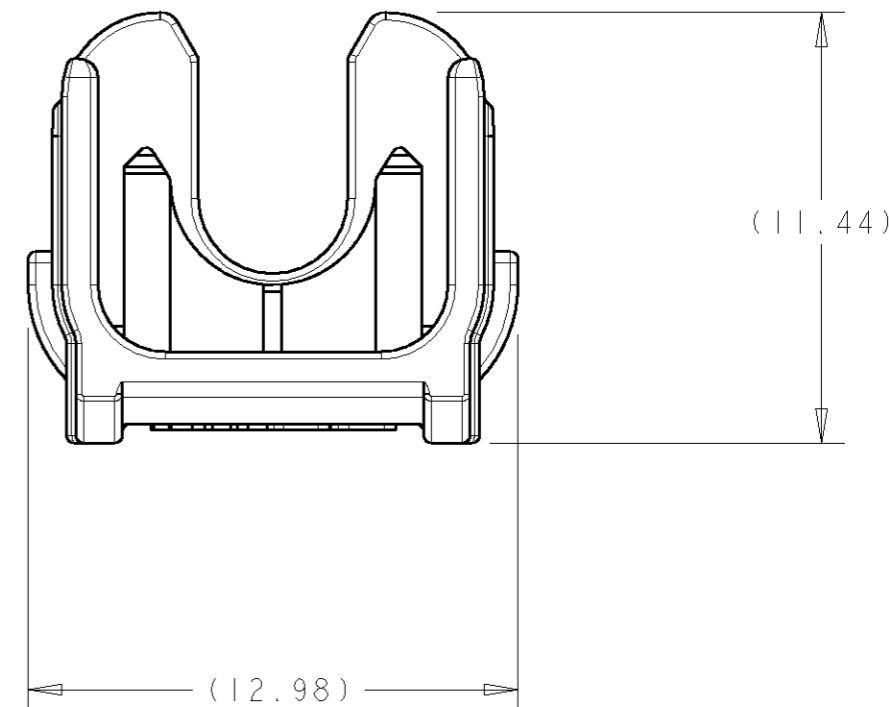
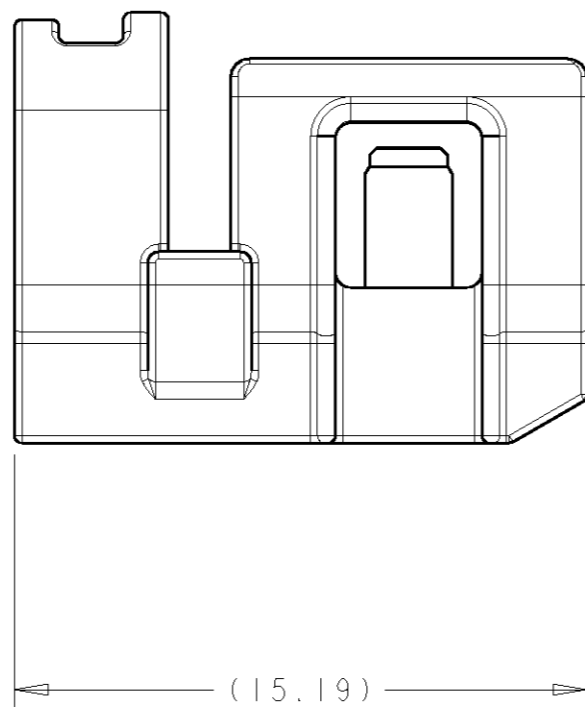
LOC IN DIST 00

REVISIONS

P	LTR	DESCRIPTION	DATE	DWN	APVD
	A	INITIAL RELEASE	09MAR2006	DJH	JMR
	B	REVISED PER ECO-06-7999	05APR2006	DJH	JMR
	C	REVISED PER ECO-06-9099	21APR2006	DJH	JMR

1 POLYESTER PBT, BROWN BEIGE (SIMILAR TO RAL 1011).

2. SEE INSTRUCTION SHEET 408-10028.



ISOMETRIC VIEW

776759-1

PART NUMBER

<small>THIS DRAWING IS A CONTROLLED DOCUMENT FOR TYCO ELECTRONICS CORPORATION IT IS SUBJECT TO CHANGE AND THE CONTROLLING ENGINEERING ORGANIZATION SHOULD BE CONTACTED FOR THE LATEST REVISION.</small>		DWN D.J.HARDY 24JAN2006 CHR J.W.HALL 09MAR2006 APVD J.W.HALL 09MAR2006		<b>tyco</b> Tyco Electronics <b>Electronics</b> Harrisburg, PA 17105-3608	
DIMENSIONS: mm		TOLERANCES UNLESS OTHERWISE SPECIFIED: 0 PLC ±- 1 PLC ±- 2 PLC ±- 3 PLC ±- 4 PLC ±- ANGLES ±-		NAME LOCK, 1 POSITION, RG-316 OR RG-174, 90 DEGREE, FAKRA, SMB	
MATERIAL - 1		FINISH -		PRODUCT SPEC - APPLICATION SPEC 114-13157 WEIGHT -	
CUSTOMER DRAWING				SIZE A3 CAGE CODE 00779 DRAWING NO C-776759 RESTRICTED TO -	
				SCALE 5:1 SHEET 1 OF 1 REV C	