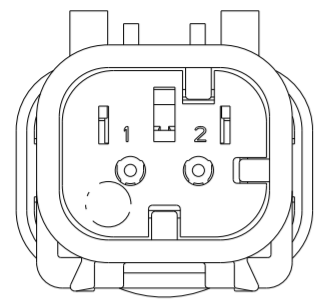
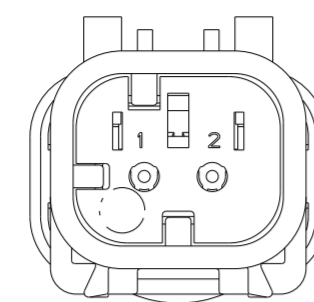


THIS DRAWING IS UNPUBLISHED. RELEASED FOR PUBLICATION
 © COPYRIGHT 20 BY - ALL RIGHTS RESERVED.

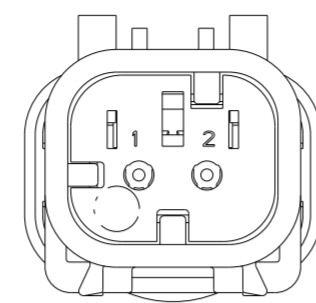
REVISIONS				
P	LTR	DESCRIPTION	DATE	APVD
D		REVISED PER ECO-13-019067	05DEC2013	DR RB
D1		REVISED PER PCN-23-190965	31OCT2023	AP CB
D2		REVISED PER PCN-23-190965	07NOV2023	AP CB



776534-2
SCALE 2:1
KEY B



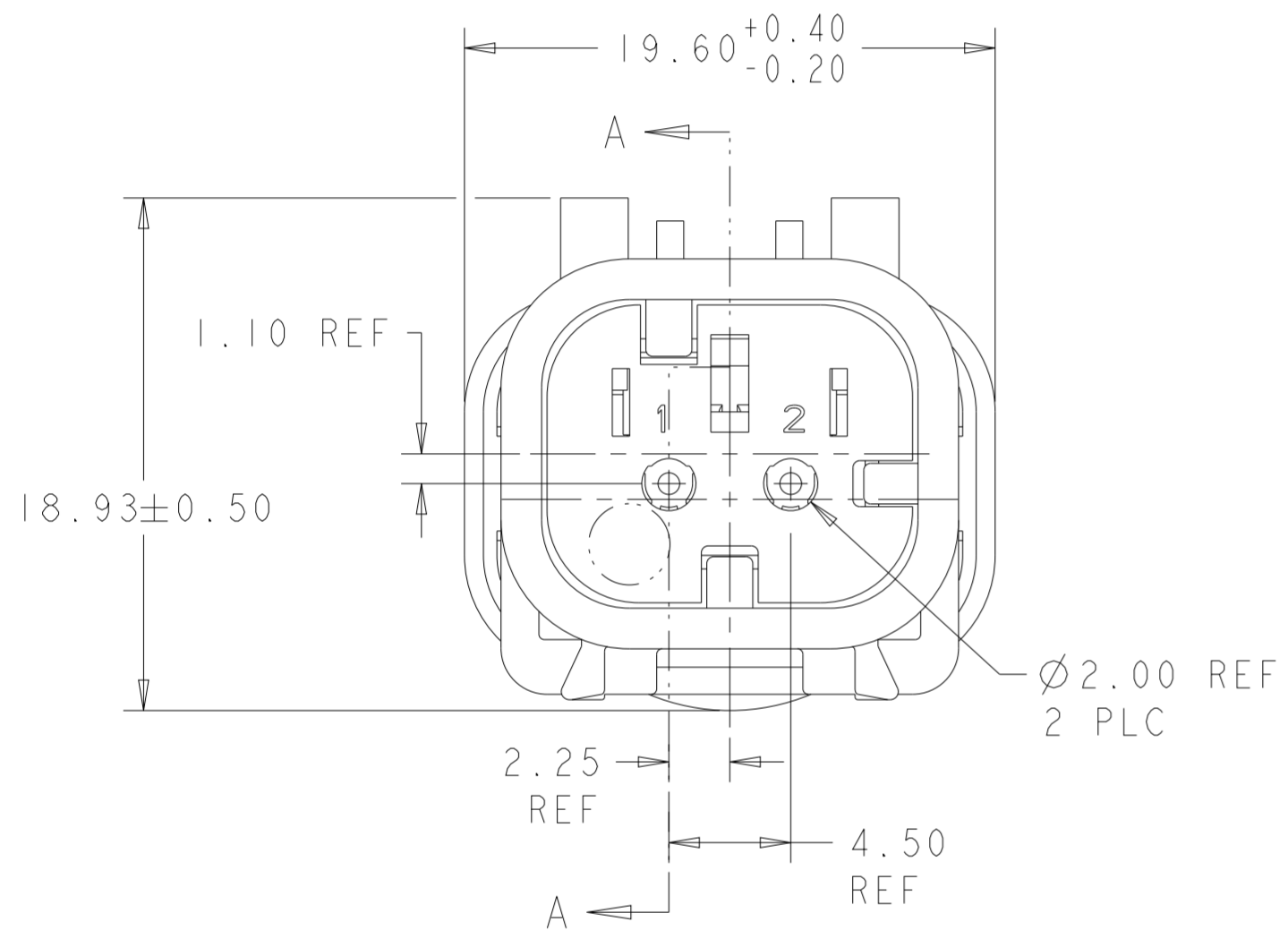
776534-3
SCALE 2:1
KEY C



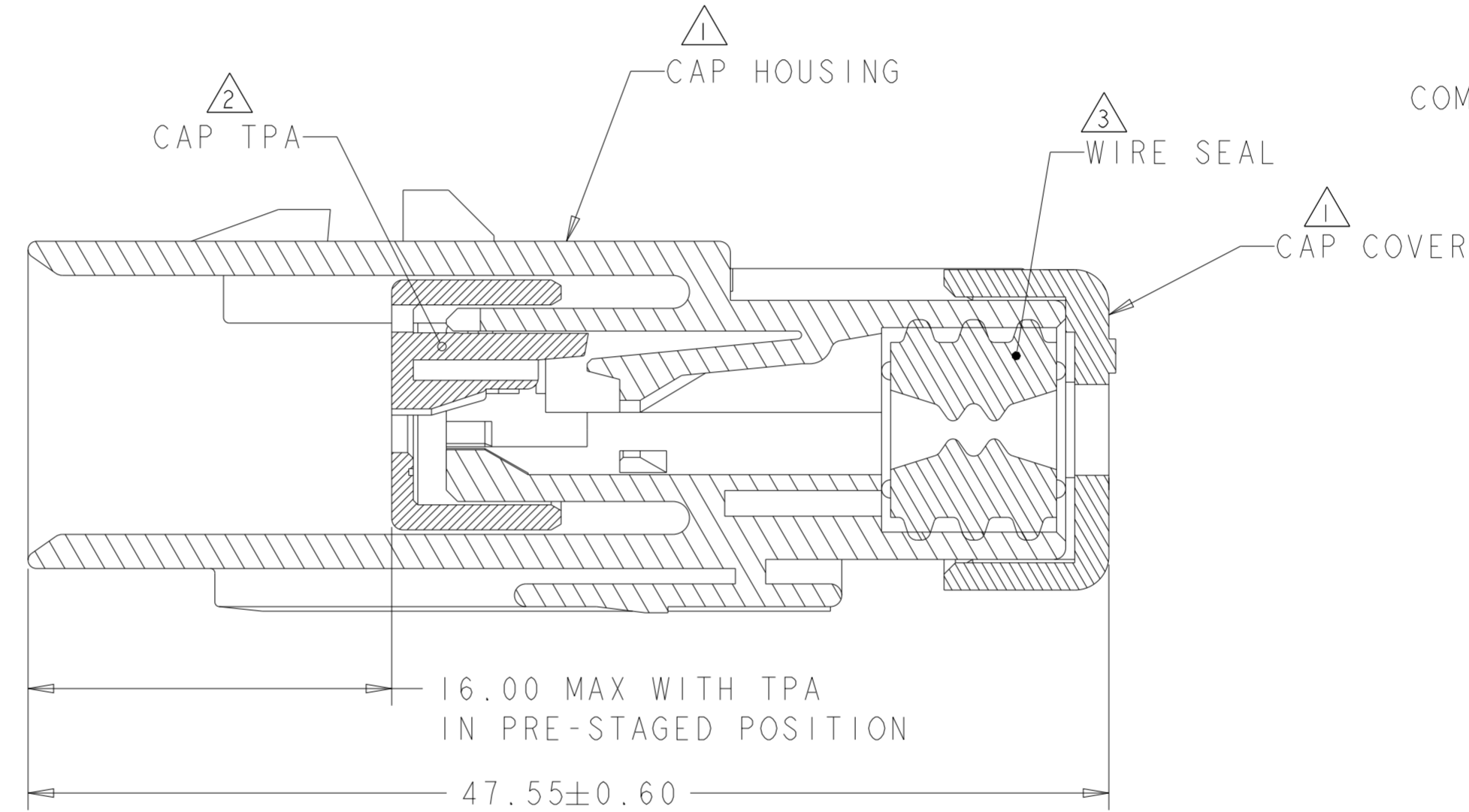
776534-4
SCALE 2:1
KEY D

- 1 MATERIAL: 15% GLASS FILLED THERMOPLASTIC
COLOR: BLACK
- 2 MATERIAL: 15% GLASS FILLED THERMOPLASTIC
COLOR: (SEE TABLE)
- 3 MATERIAL: SILICONE
COLOR: LIGHT GRAY

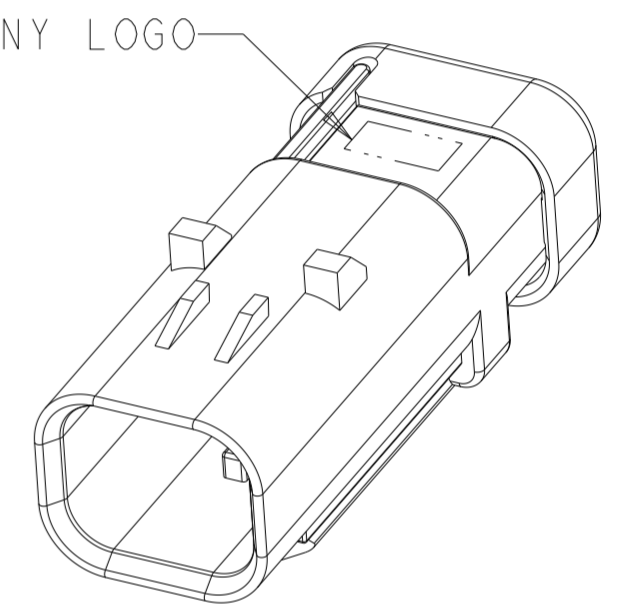
4. RECOMMENDED WIRE DIAMETER RANGE IS 1.30 TO 2.54mm



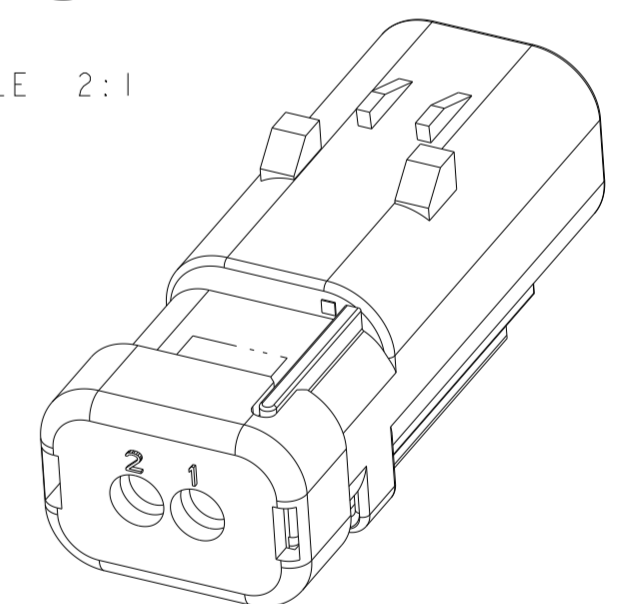
776534-1 SHOWN
KEY A



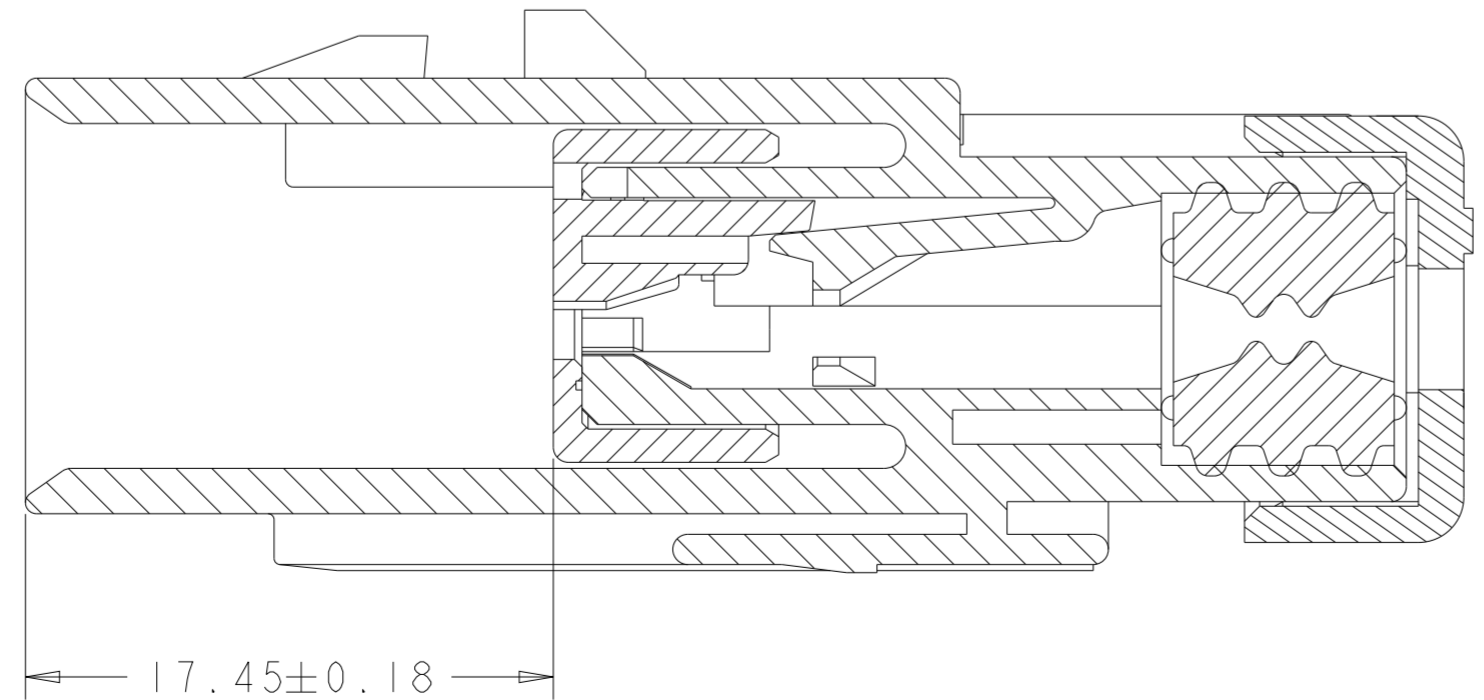
SECTION A-A



SCALE 2:1



SCALE 2:1



SECTION A-A
WITH TPA IN CLOSED POSITION

D	GREEN	776534-4
C	YELLOW	776534-3
B	GRAY	776534-2
A	RED	776534-1
KEY	TPA COLOR	PART NUMBER

THIS DRAWING IS A CONTROLLED DOCUMENT.

DWN	Y. PETERSON	22FEB00
CHK	R. GREINER	11DEC01
APVD	M. TRULL	11DEC01
PRODUCT SPEC	108-2184	
APPLICATION SPEC	114-13065	
WEIGHT	9	
Customer Drawing		

STE TE Connectivity

CAP ASSEMBLY,
2 POSITION, SINGLE ROW,
REDUCED DIA WIRE SEAL, AMPSEAL 16

SIZE	A2	CAGE CODE	00779	DRAWING NO	C-776534	RESTRICTED TO	-
SCALE	4:1	SHEET	1	OF	1	REV	D2