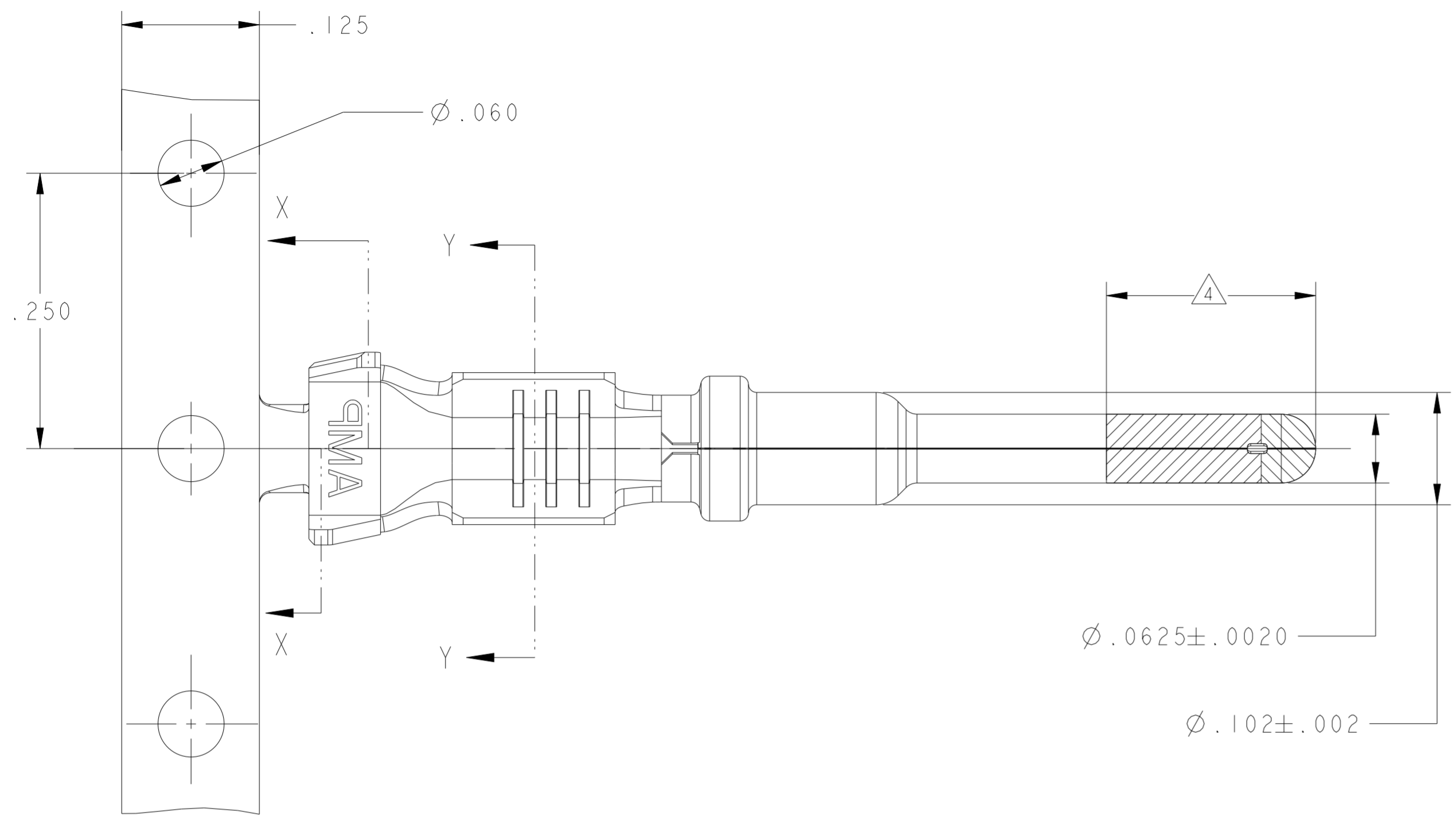
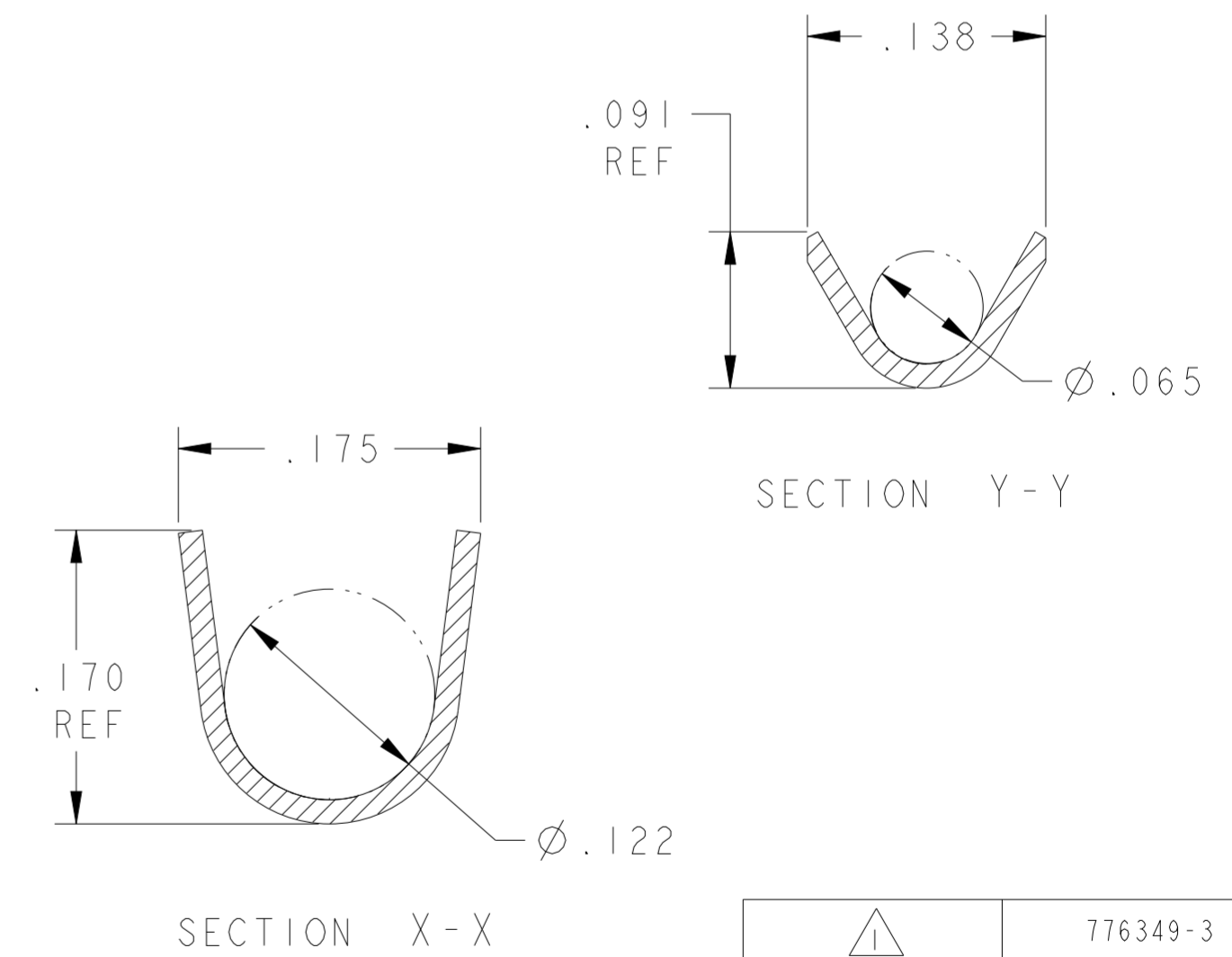
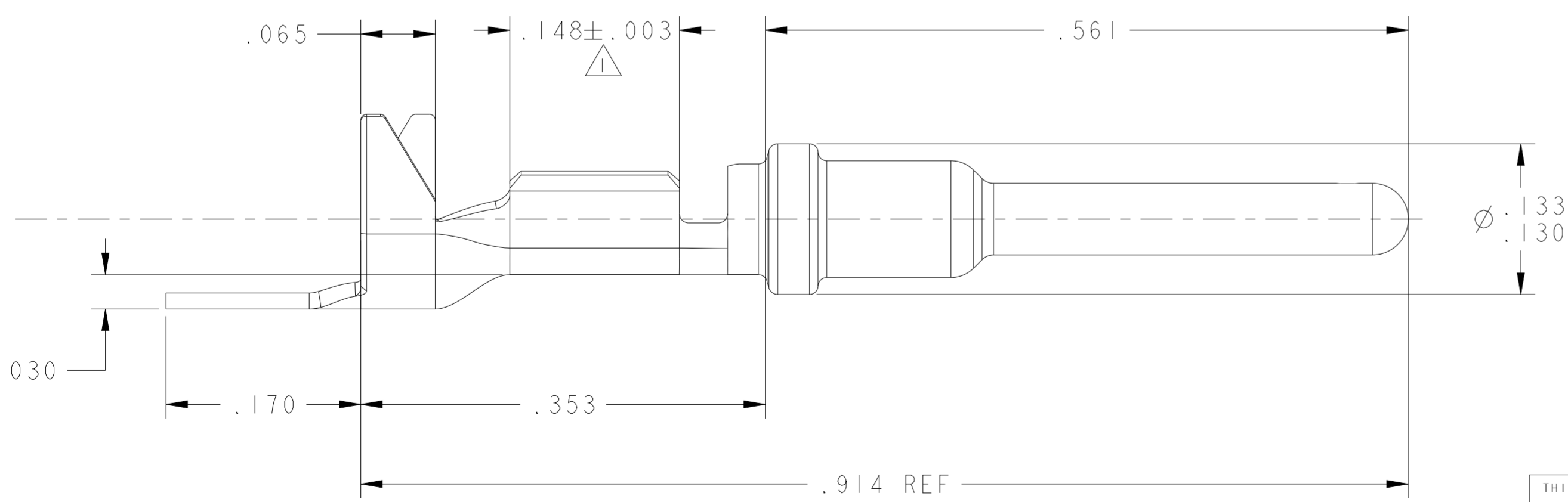


| P | LTR | DESCRIPTION | DATE | DWN | APVD |
|----|-----|---------------------------|-----------|-----|------|
| C2 | | REVISED PER ECO-11-005030 | 11MAR2011 | RK | HMR |
| C3 | | REVISED PER PCN-22-148530 | 27JUL2022 | SN | FC |



- 1. FINISH : PLATE 0.000100-0.000200 THK TIN IN LOCALIZED TIN PLATE AREA ALL OVER
0.000040-0.000080 THK NICKEL.
- 2. CONTACT WILL BE LUBED WITH LUBRICANT PER P/N 22014-4.
- 3. WIRE RANGE: 20-18 AWG WITH INSULATION DIAMETERS OF 0.089-0.131 INCHES.
- 4. PLATE 0.000030 MIN THK SELECT GOLD IN LOCALIZED PLATE AREA.



| | |
|---------------|--------------------|
| | 776349-3 |
| | 776349-1 |
| FINISH | PART NUMBER |

| | | | | |
|--|--|-------------------------|---|--|
| THIS DRAWING IS A CONTROLLED DOCUMENT. | | DWN P. YEAGER 22FEB2000 | TE Connectivity | |
| DIMENSIONS: INCHES | | CHK W. LONG 22FEB2000 | | |
| TOLERANCES UNLESS OTHERWISE SPECIFIED: | | APVD W. LONG 22FEB2000 | NAME PIN CONTACT | |
| 0 PLC ±- | | PRODUCT SPEC - | SIZE CAGE CODE DRAWING NO RESTRICTED TO | |
| 1 PLC ±- | | APPLICATION SPEC - | A200779 C-776349 | |
| 2 PLC ±.02 | | WEIGHT - | SCALE 10:1 SHEET 1 OF 1 REV C3 | |
| 3 PLC ±.005 | | CUSTOMER DRAWING | | |
| 4 PLC ±- | | | | |
| ANGLES ±- | | | | |
| FINISH - | | | | |