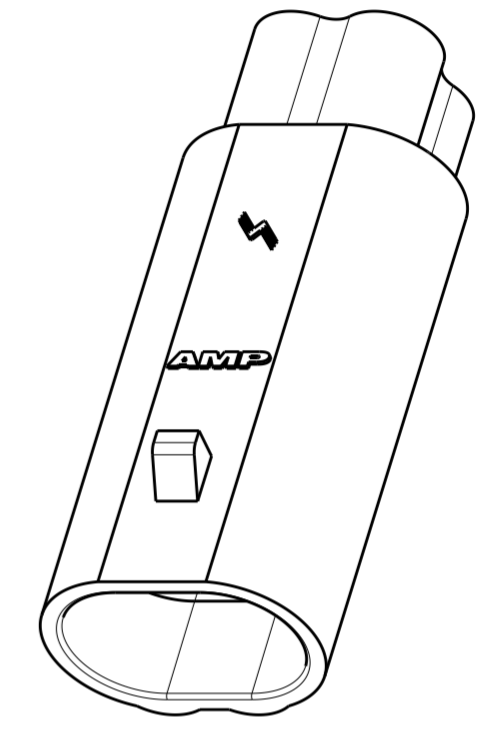
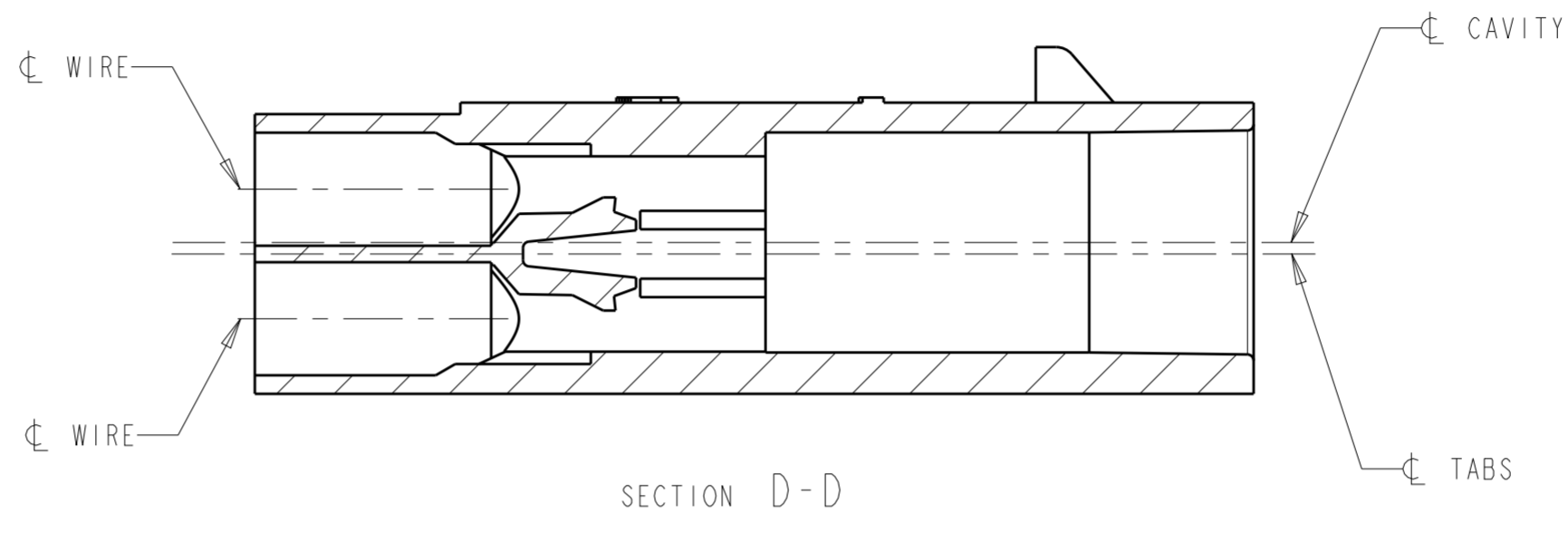
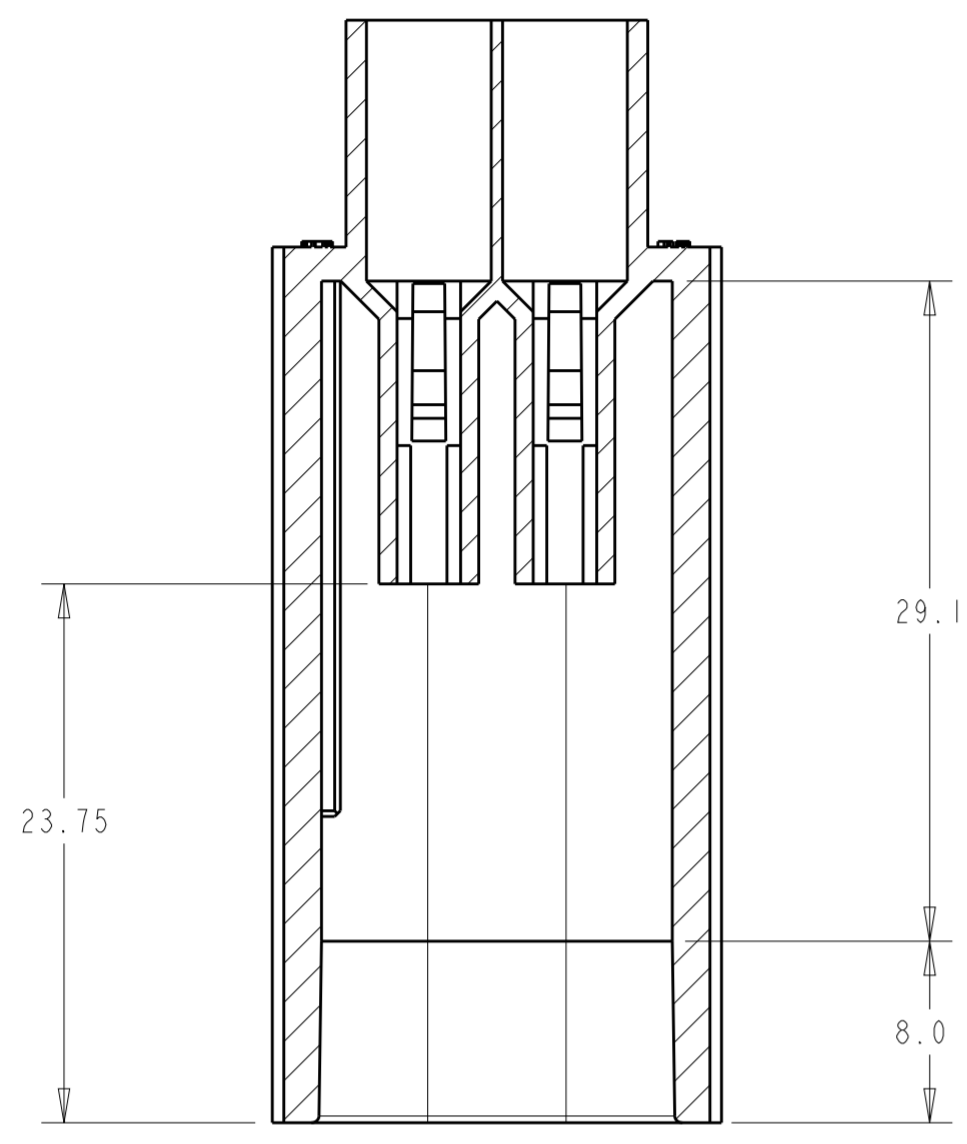


THIS DRAWING IS UNPUBLISHED. RELEASED FOR PUBLICATION
 © COPYRIGHT copyright.d8te- ALL RIGHTS RESERVED.

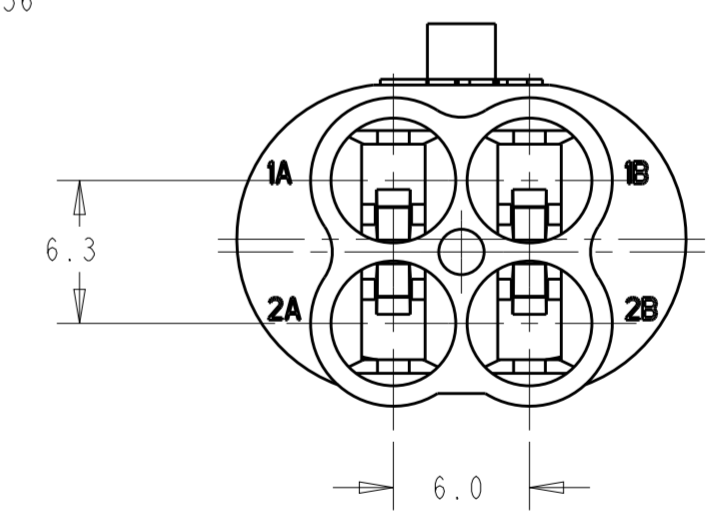
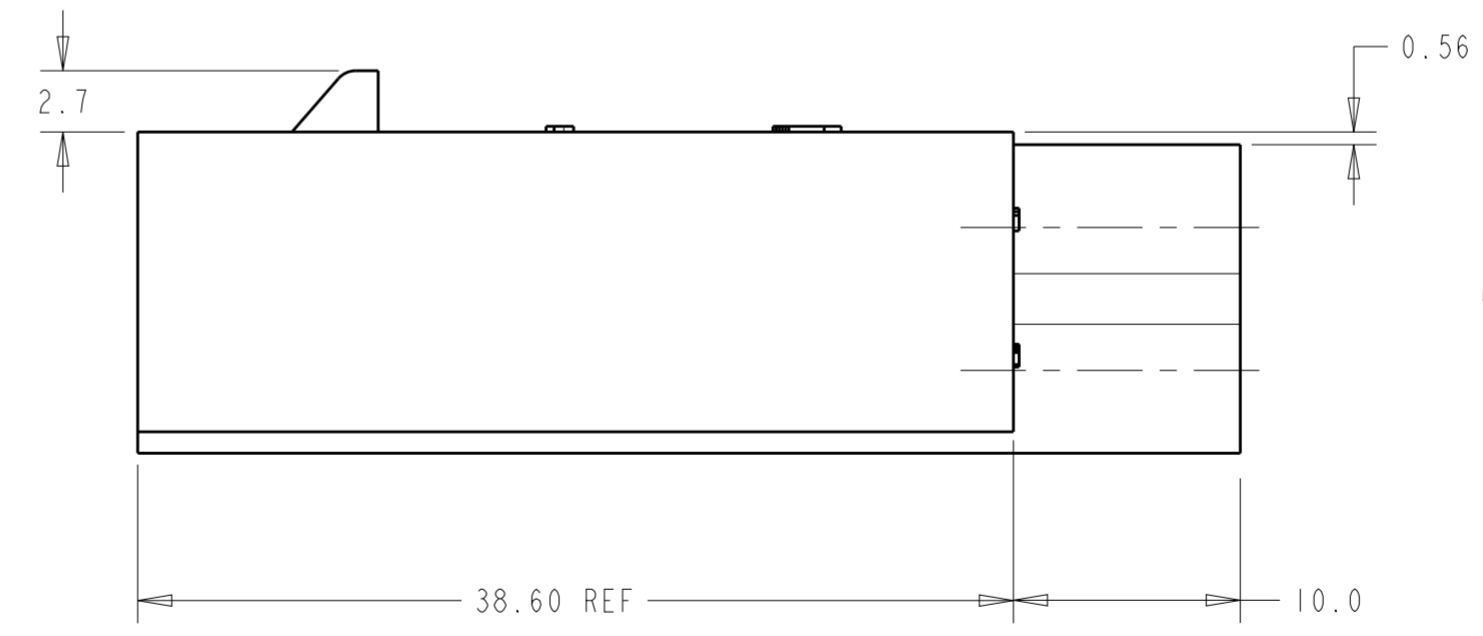
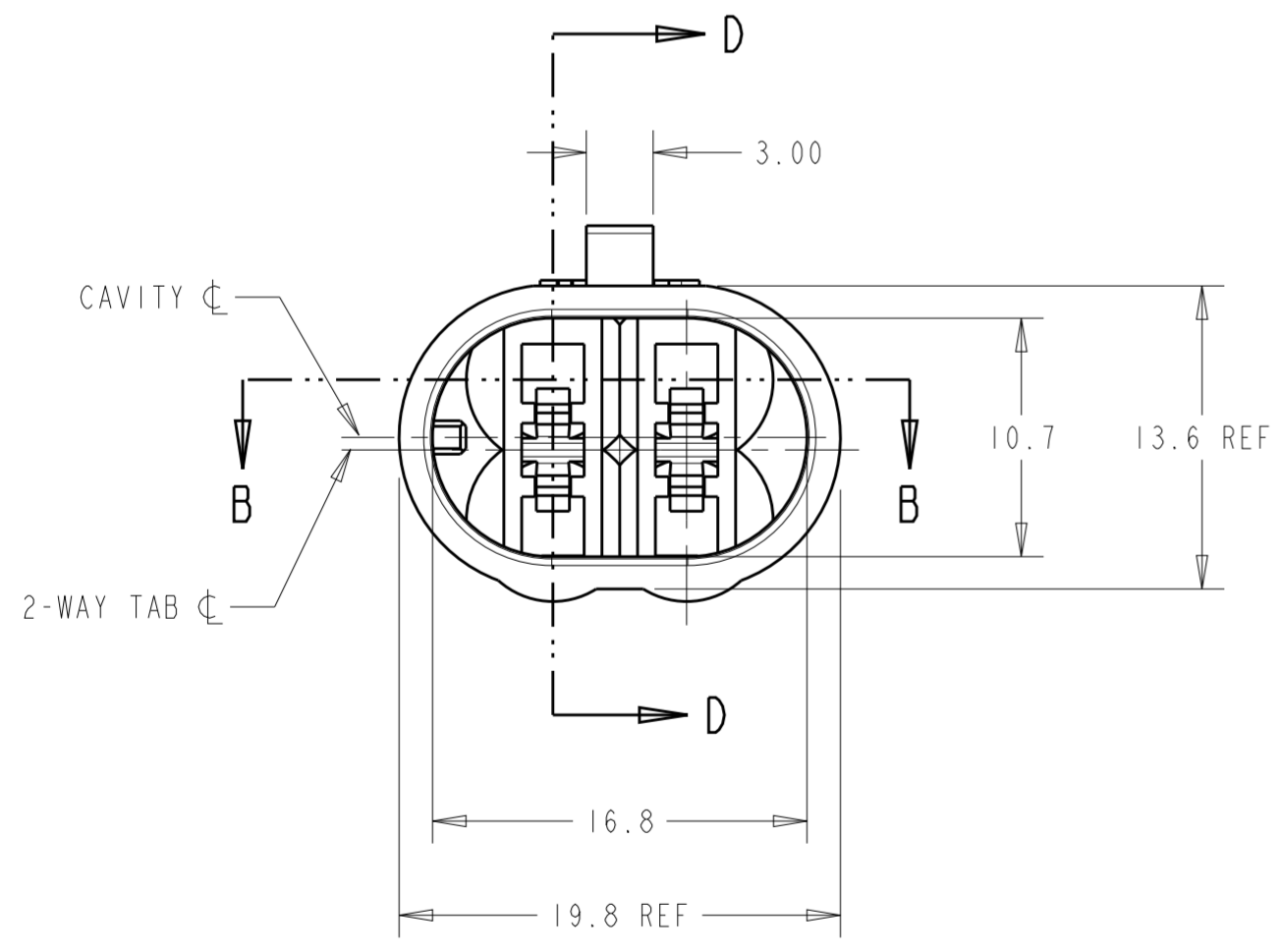
REVISIONS					
P	LTR	DESCRIPTION	DATE	DWN	APVD
A		REV PER EC# 0K40-0124-00	18MAY00	PY	DC
B		REVISED PER ECO-16-000060	04JAN2016	DD	DS



SCALE 2:1

SECTION B-B

SECTION D-D



GRAY	NYLON	776308-2
BLACK	NYLON	776308-1
COLOR	MATERIAL	PART NO

THIS DRAWING IS A CONTROLLED DOCUMENT.		DWN R. GREINER 27MAY99	TE Connectivity	
DIMENSIONS: mm		CHK G. MARPOE 27MAY99		
TOLERANCES UNLESS OTHERWISE SPECIFIED:		APVD G. MARPOE 27MAY99		
0 PLC ± 1 PLC ±0.5 2 PLC ±0.13 3 PLC ±0.013 4 PLC ±0.0001 ANGLES ± FINISH ±		PRODUCT SPEC -		
MATERIAL	-	APPLICATION SPEC -	NAME CAP HOUSING J1939 4 WAY CONNECTOR	
-		WEIGHT -	SIZE A2	CAGE CODE 00779
-		CUSTOMER DRAWING	DRAWING NO G-776308	RESTRICTED TO -
		SCALE 3:1	SHEET 1	REV B