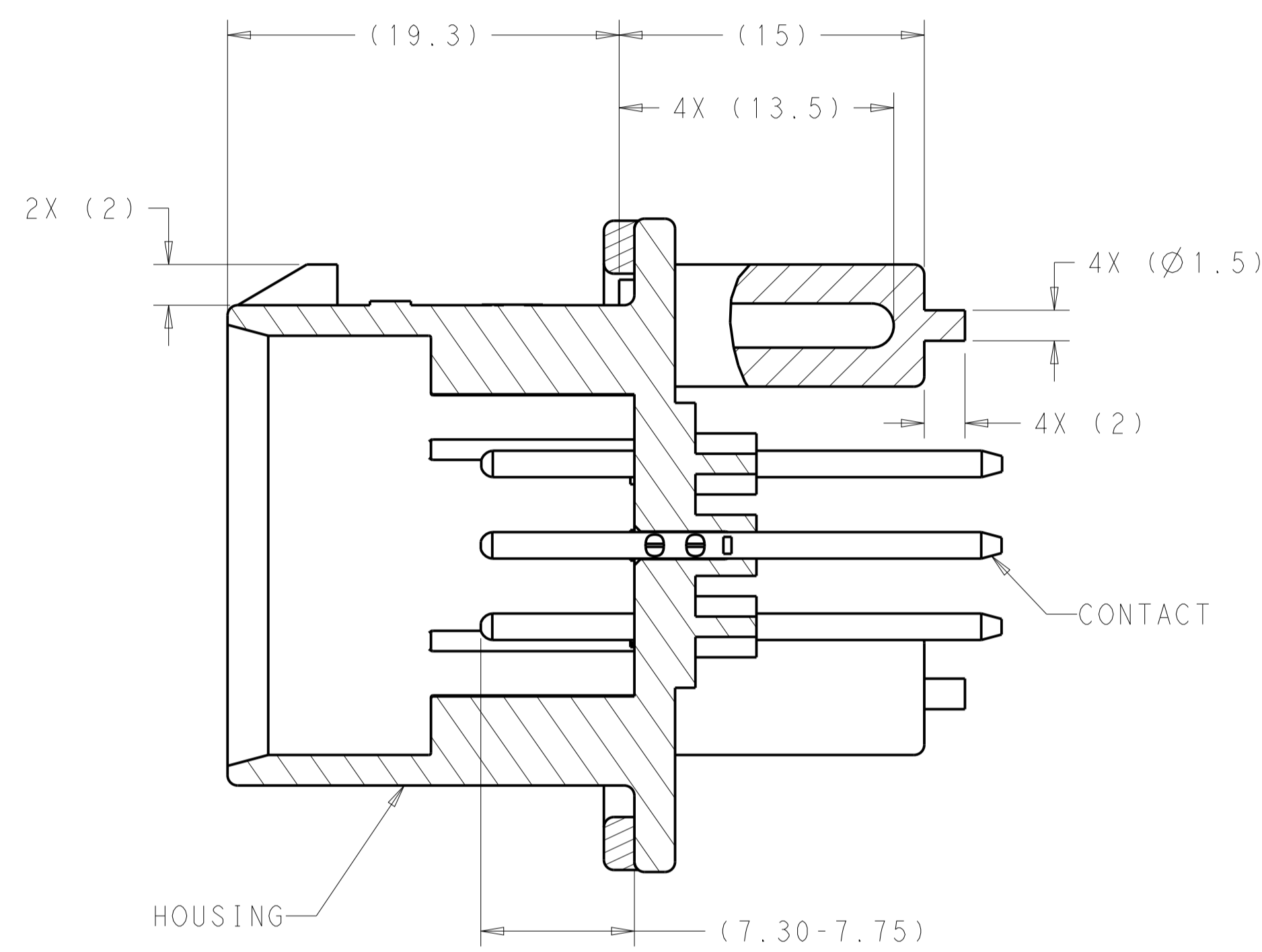
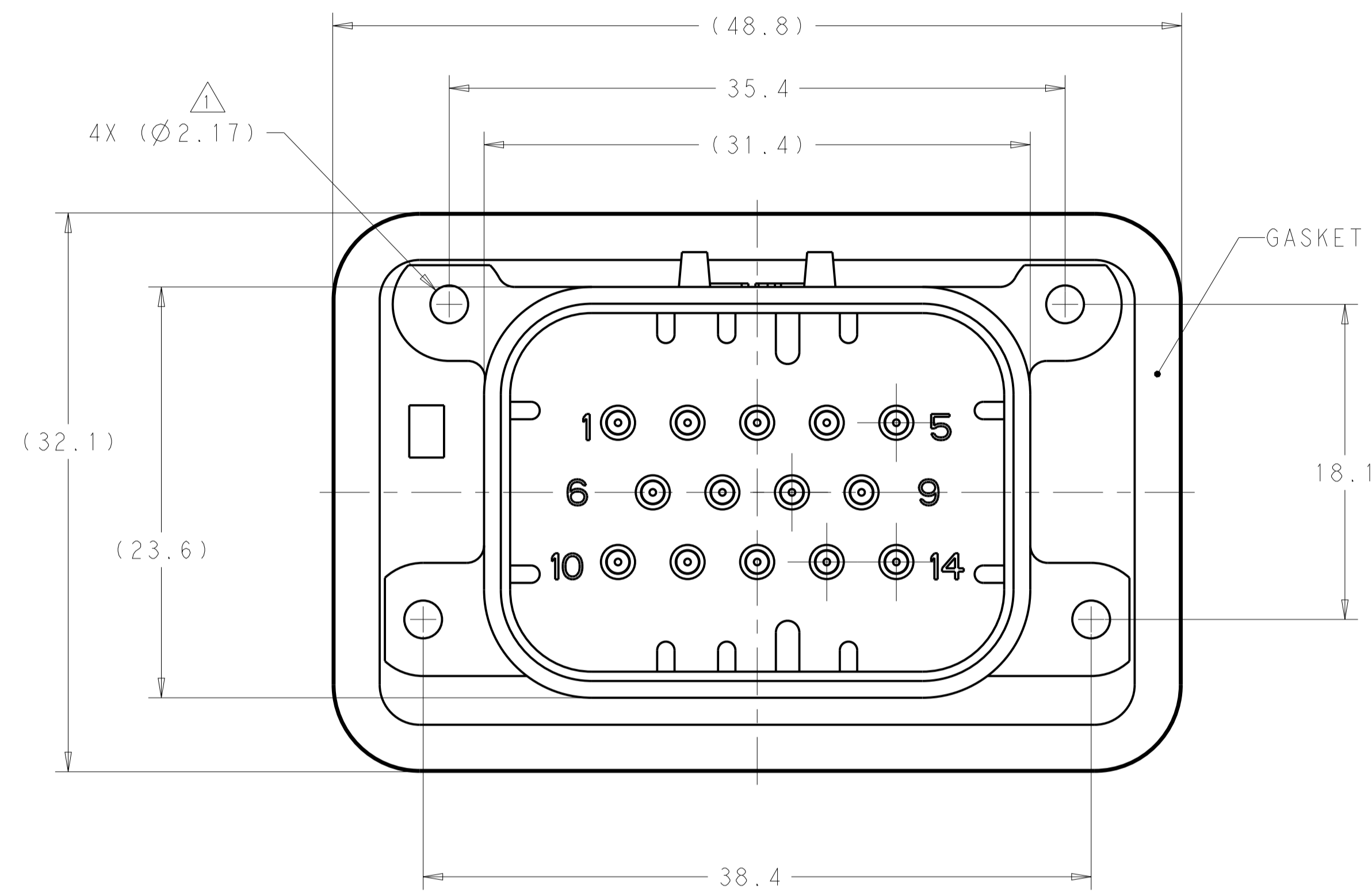
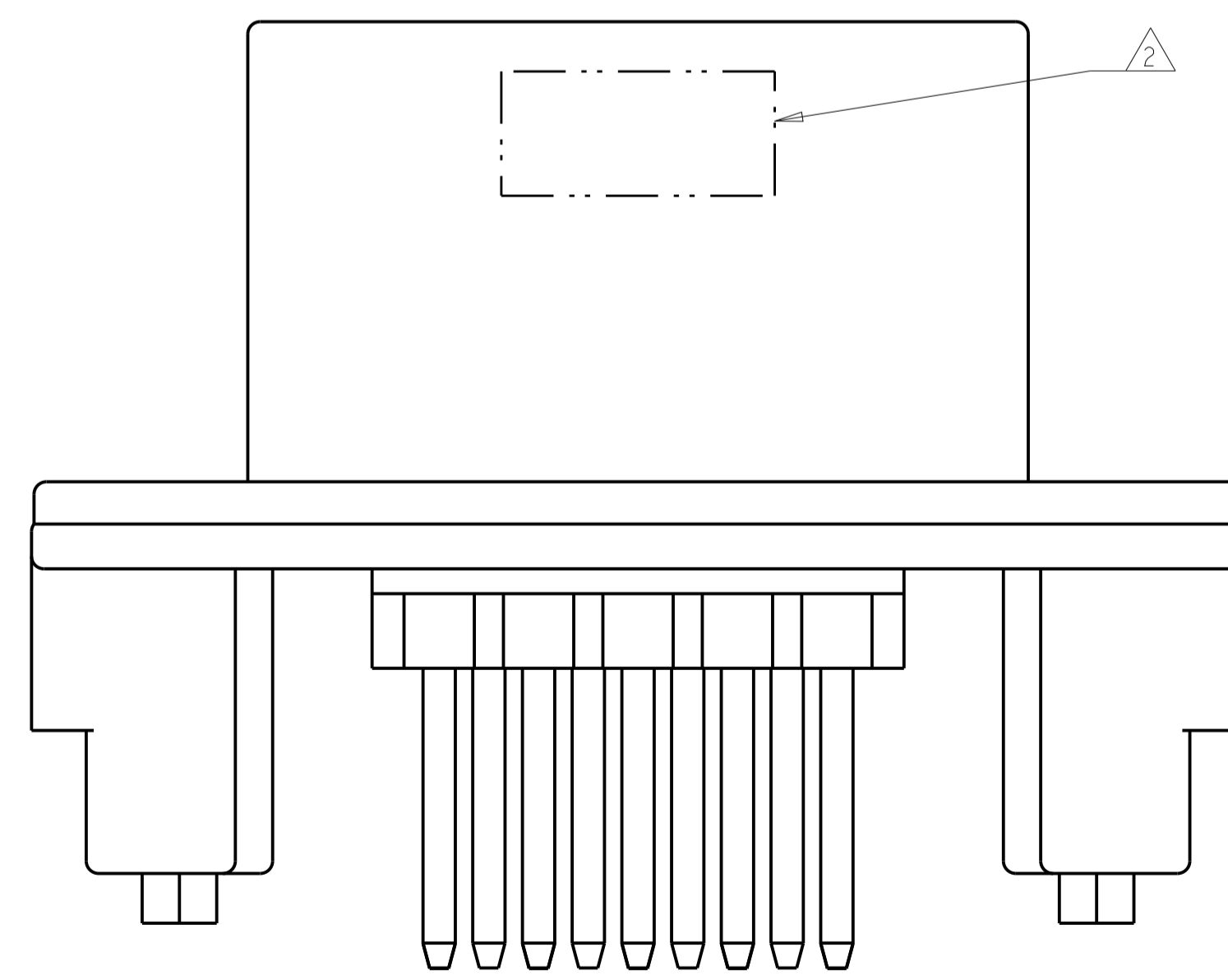


REVISIONS				
P.	LTN	DESCRIPTION	DATE	APVD
A12		REVISED PER ECO-21-001365	26 JAN 2021	DS DS



SECTION A-A



- 1 SUGGESTED MOUNTING SCREW SIZE IS Ø2.50-3.00mm [Ø0.099 - 0.118 INCH] SELF TAPPING THREAD FORMING SCREW, SUCH AS DELTA PT, TO BE DRIVEN AT 0.6-0.8 N-m. THE CUSTOMER SHOULD TEST THE SCREW SIZE AND TYPE IN ORDER TO VERIFY THEIR SELECTION FOR THEIR APPLICATION
- 2 DATE CODE IN THIS LOCATION USING 5 DIGIT CODE. FIRST 2 DIGITS = YEAR, SECOND 2 DIGITS = WEEK, LAST DIGIT = DAY
- 3 MATERIALS: HEADER HOUSING - GLASS FILLED PBT, PINS - TIN OR GOLD PLATED BRASS, GASKET - SILICONE
- 4 HOUSING COLORS ARE MECHANICALLY KEYED TO MATE ONLY WITH IDENTICALLY COLORED PLUG ASSEMBLIES.
- 5. HEADER MATES TO PLUG ASSEMBLY 776273 WHICH USES REELED TERMINAL 770520 OR LOOSE PIECE TERMINAL 770854

776262-1 & 1-776262-1 SHOWN

HEADER COLOR	PLATING	PART NUMBER
BLUE	GOLD	1-776262-5
GRAY	GOLD	1-776262-4
NATURAL	GOLD	1-776262-2
BLACK	GOLD	1-776262-1
BLUE	TIN	776262-5
GRAY	TIN	776262-4
NATURAL	TIN	776262-2
BLACK	TIN	776262-1

THIS DRAWING IS A CONTROLLED DOCUMENT.

OWN: D. STRAUSSER 03 MAR 2010
 CHK: D. STRAUSSER 22 MAR 2010
 APVD: D. STRAUSSER 27 APR 2010

TE Connectivity

ASSEMBLY, HEADER, 14 POSITION, VERTICAL, AMPSEAL WITH FLANGE SEAL

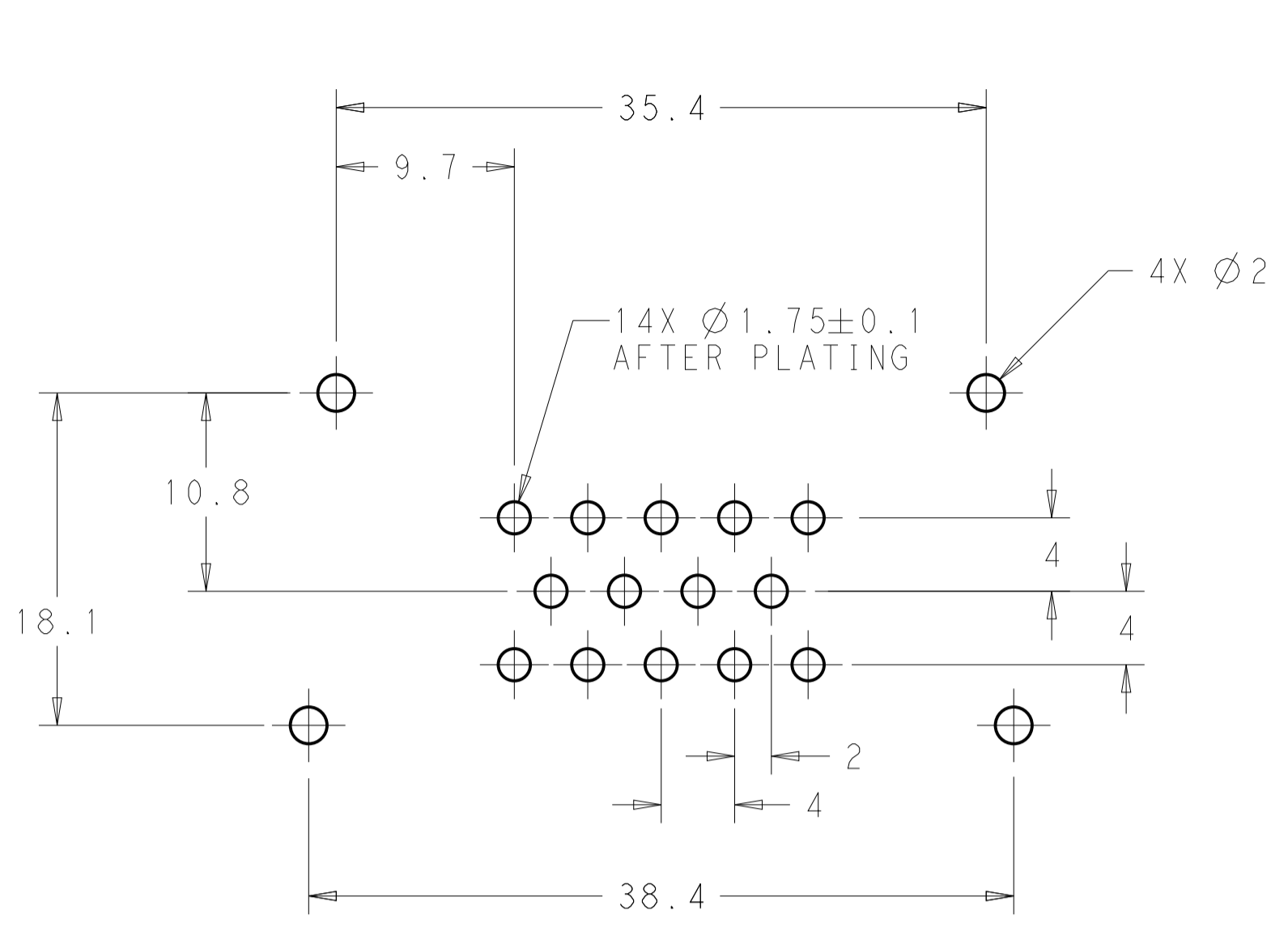
SIZE: A1 CAGE CODE: 00779 DRAWING NO: 776262

WEIGHT: 17.10g

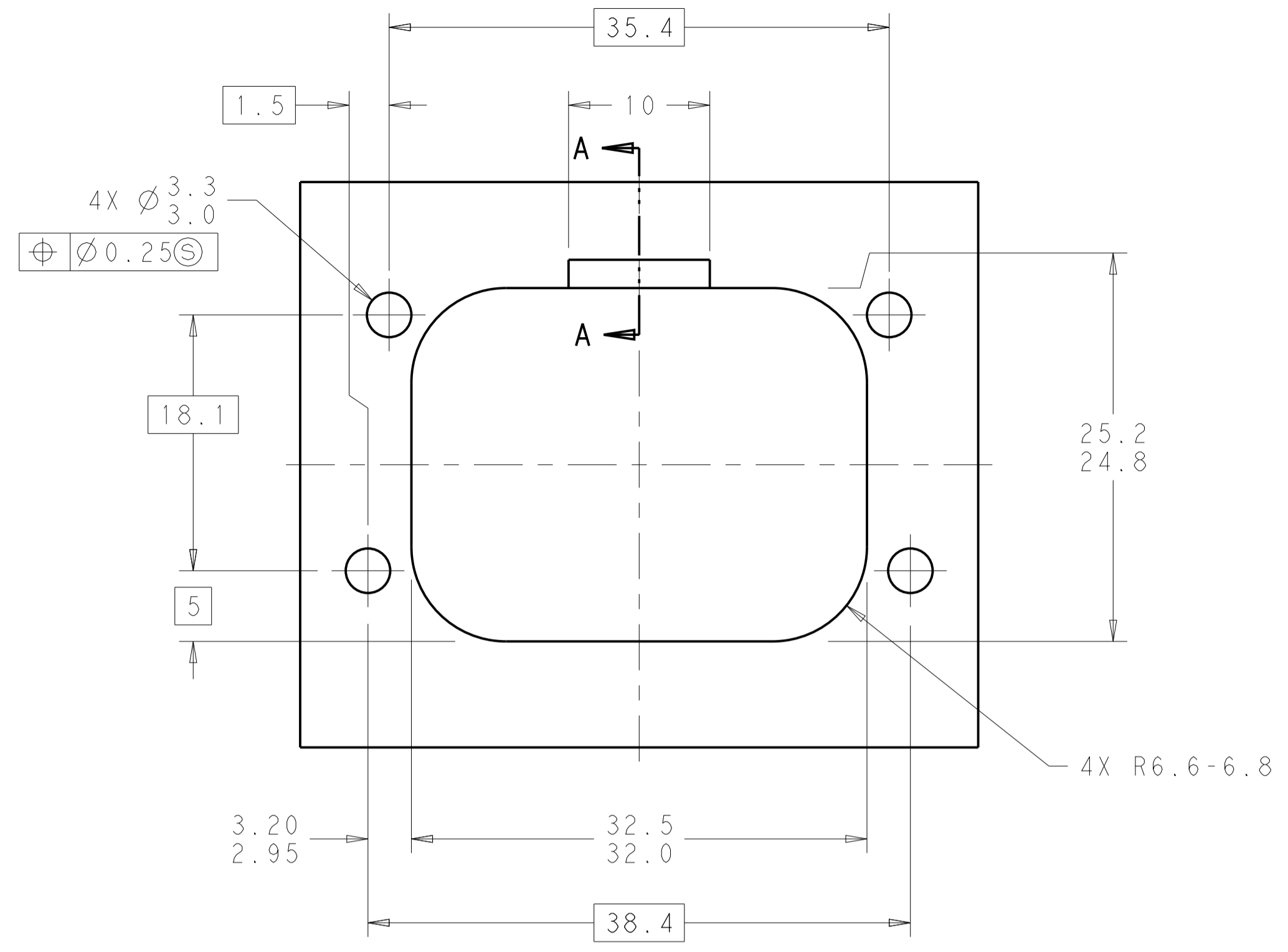
MATERIAL: 3 FINISH: 3

CUSTOMER DRAWING SCALE: 4:1 SHEET 1 OF 2 REV: A12

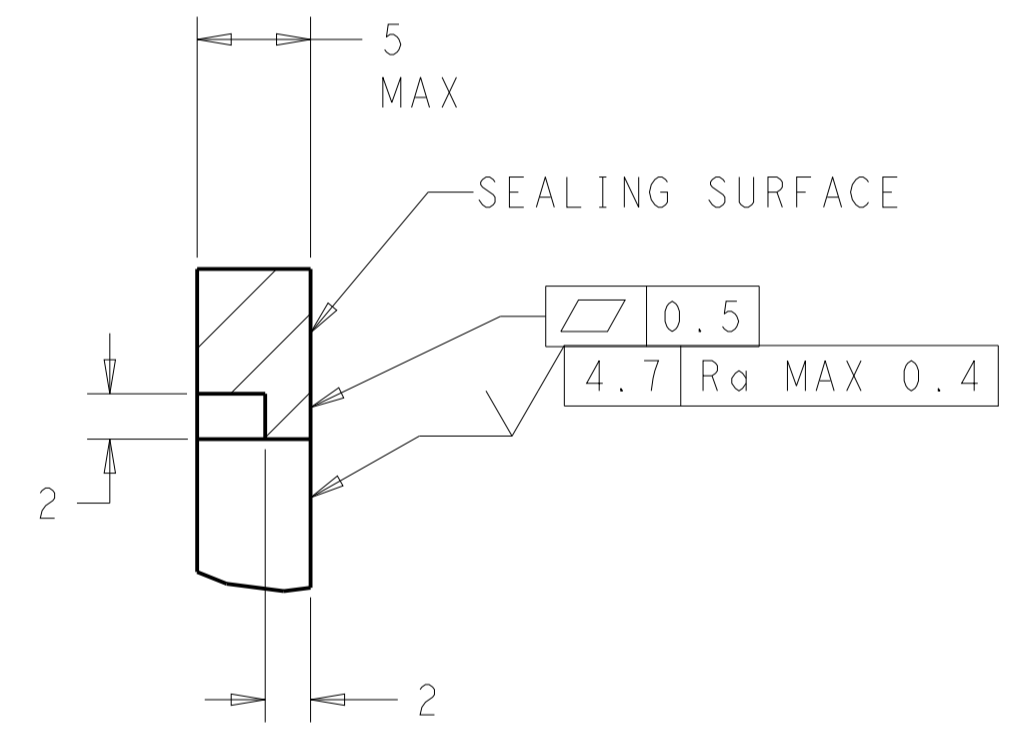
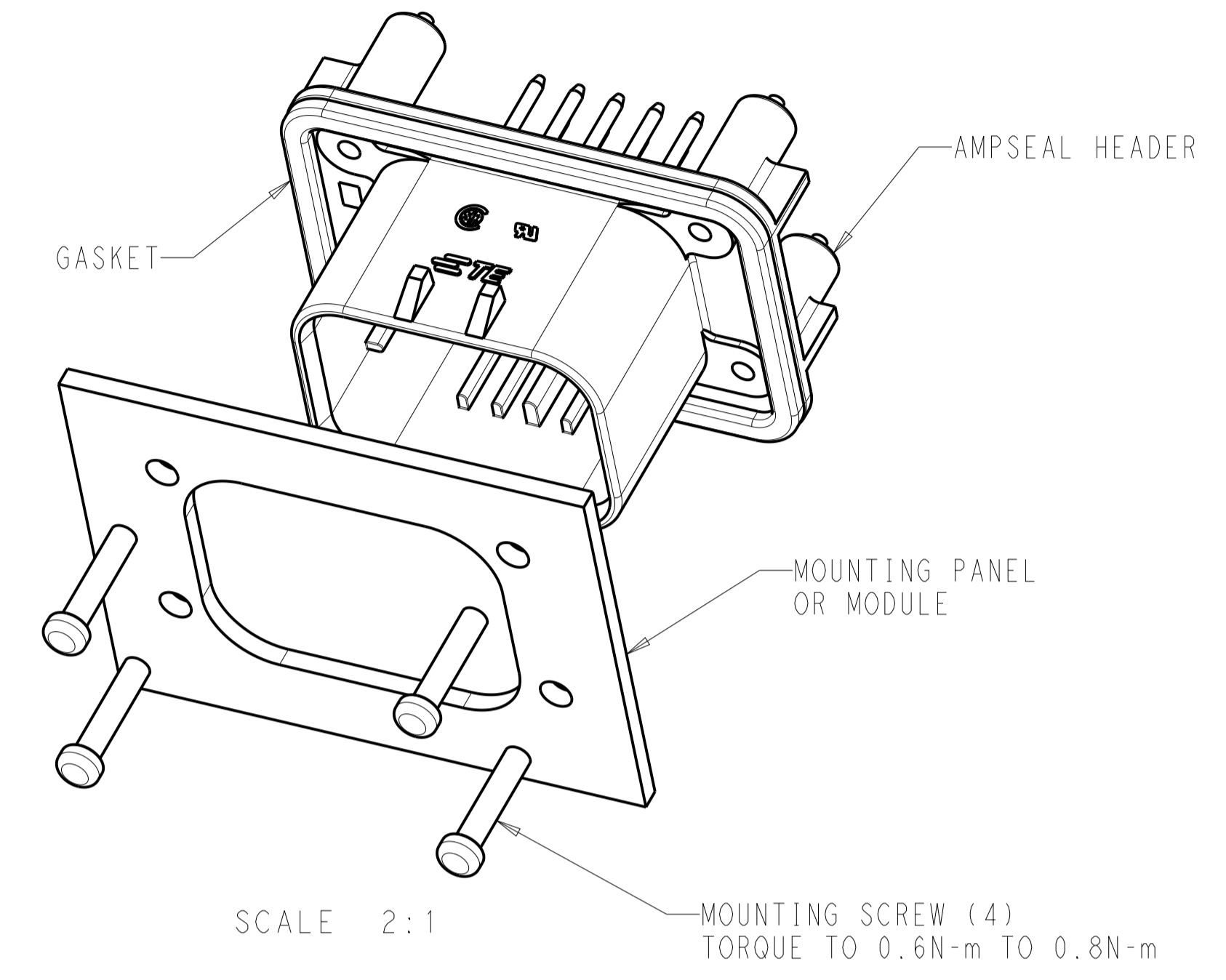
REVISIONS				
P.	LTN.	DESCRIPTION	DATE	APVD.
-	-	SEE SHEET 1	-	-



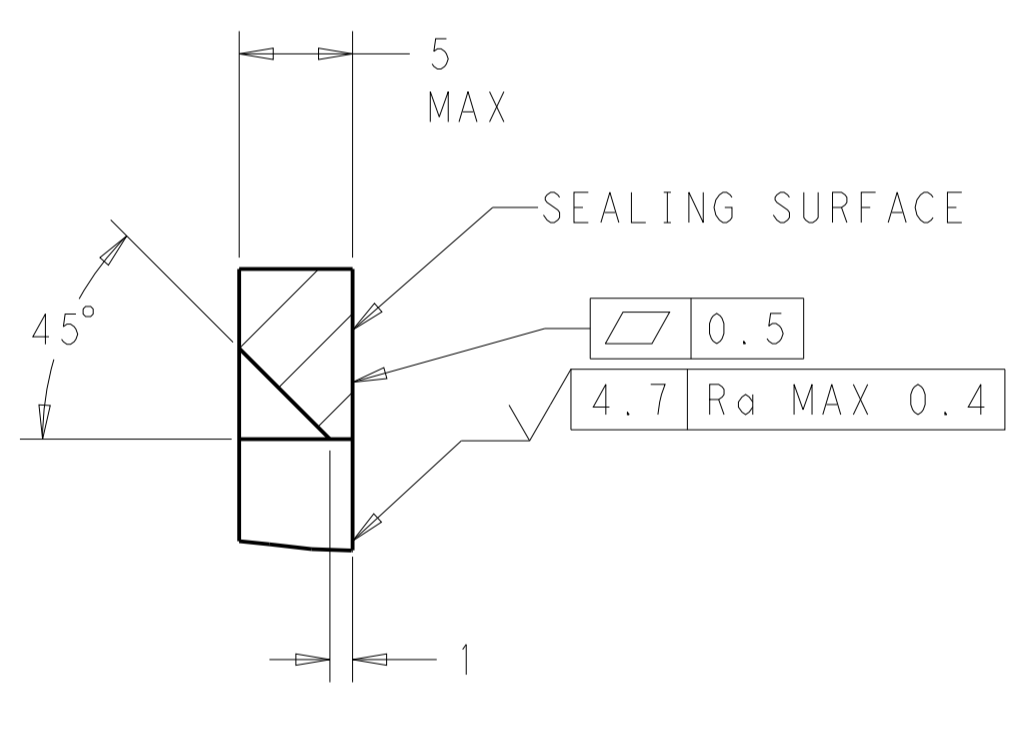
RECOMMENDED P.C. BOARD LAYOUT FOR 1.57 THICK P.C. BOARD



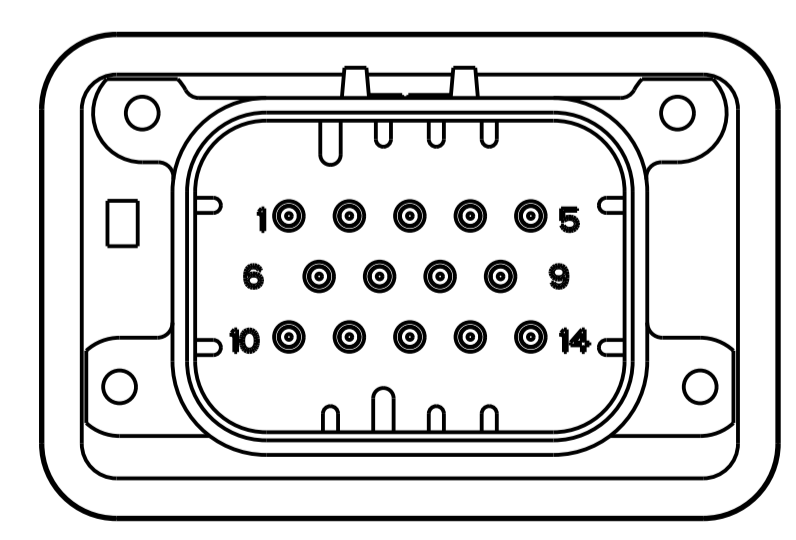
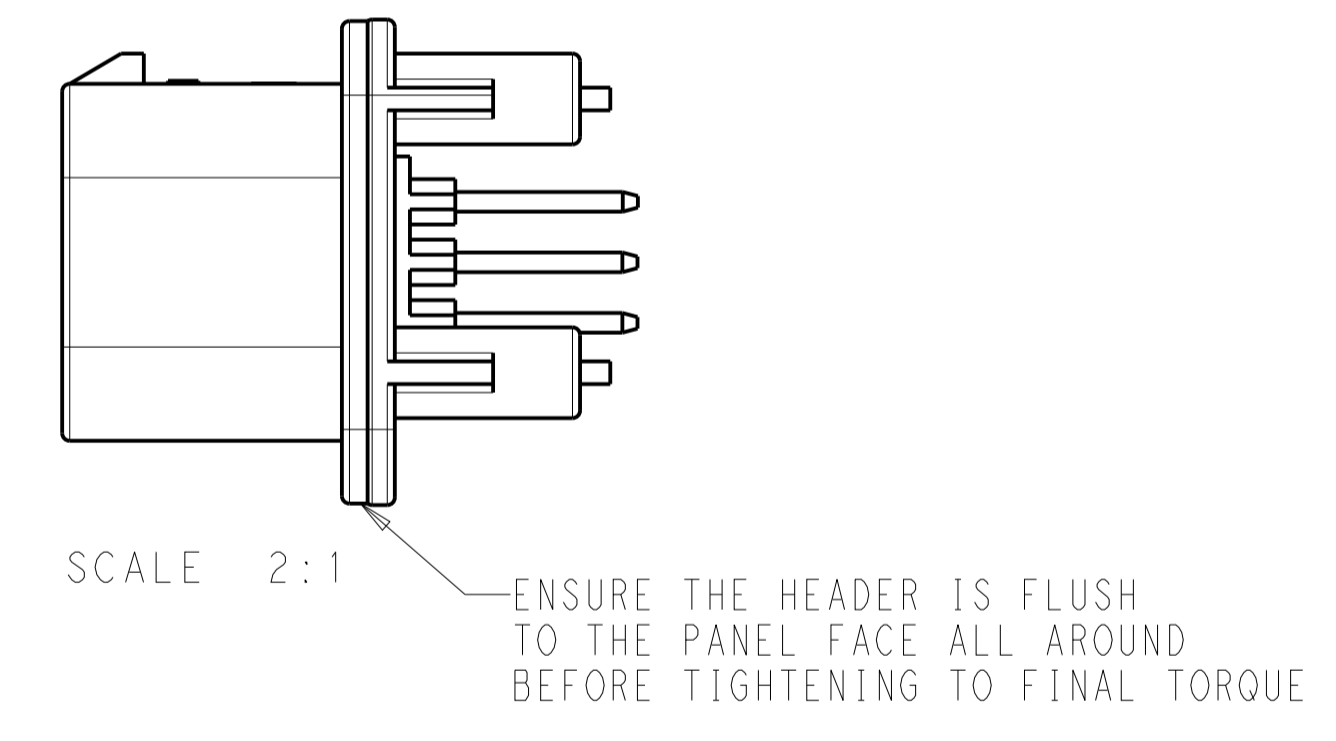
RECOMMENDED MOUNTING HOLE LAYOUT FOR 5.0 MAX THICK PANEL



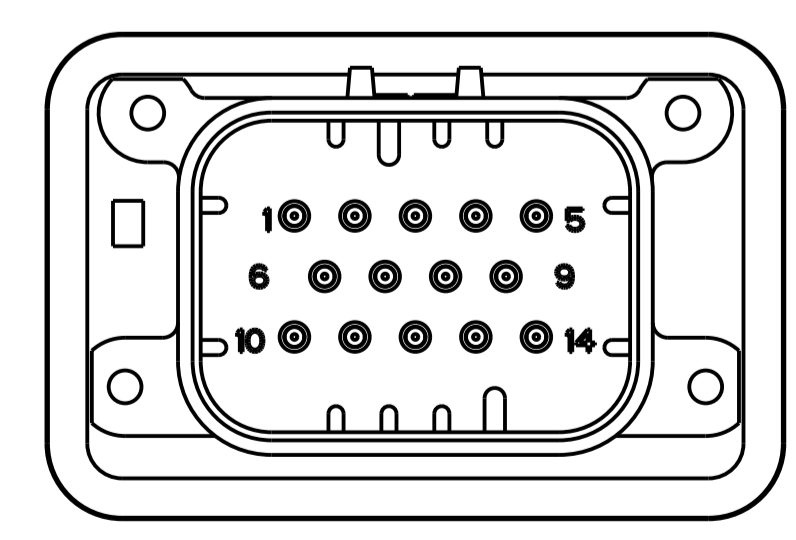
SECTION A-A
OPTIONAL CONSTRUCTION IF PANEL THICKNESS IS GREATER THAN 2.0



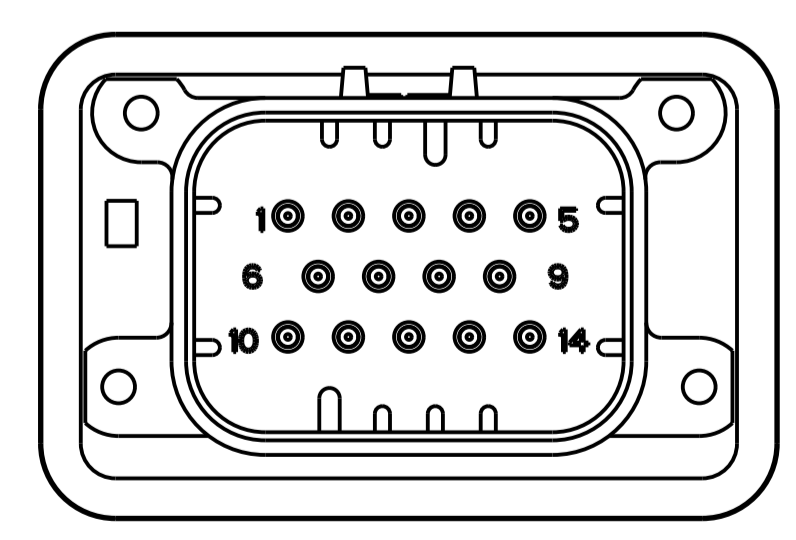
SECTION A-A
OPTIONAL CONSTRUCTION IF PANEL THICKNESS IS GREATER THAN 2.0



776262-2 & 1-776262-2
KEY LOCATION
SCALE 2:1



776262-4 & 1-776262-4
KEY LOCATION
SCALE 2:1



776262-5 & 1-776262-5
KEY LOCATION
SCALE 2:1

THIS DRAWING IS A CONTROLLED DOCUMENT.		DWN: D. STRAUSSER 03MAR2010 CHK: D. STRAUSSER 22MAR2010 APVD: D. STRAUSSER 27APR2010	TE Connectivity	
DIMENSIONS:	TOLERANCES UNLESS OTHERWISE SPECIFIED:	PRODUCT SPEC	NAME	
mm	0 PLC ±0.2	108-1329	ASSEMBLY, HEADER, 14 POSITION, VERTICAL, AMPSEAL WITH FLANGE SEAL	
	1 PLC ±0.2	APPLICATION SPEC	SIZE	CAGE CODE
	2 PLC ±0.2		114-16016	A100779
	3 PLC ±0.2	WEIGHT	17.10g	776262
	4 PLC ±0.2	FINISH		
MATERIAL		CUSTOMER DRAWING	SCALE	2:1
			SHEET	2 OF 2
			REV	A12