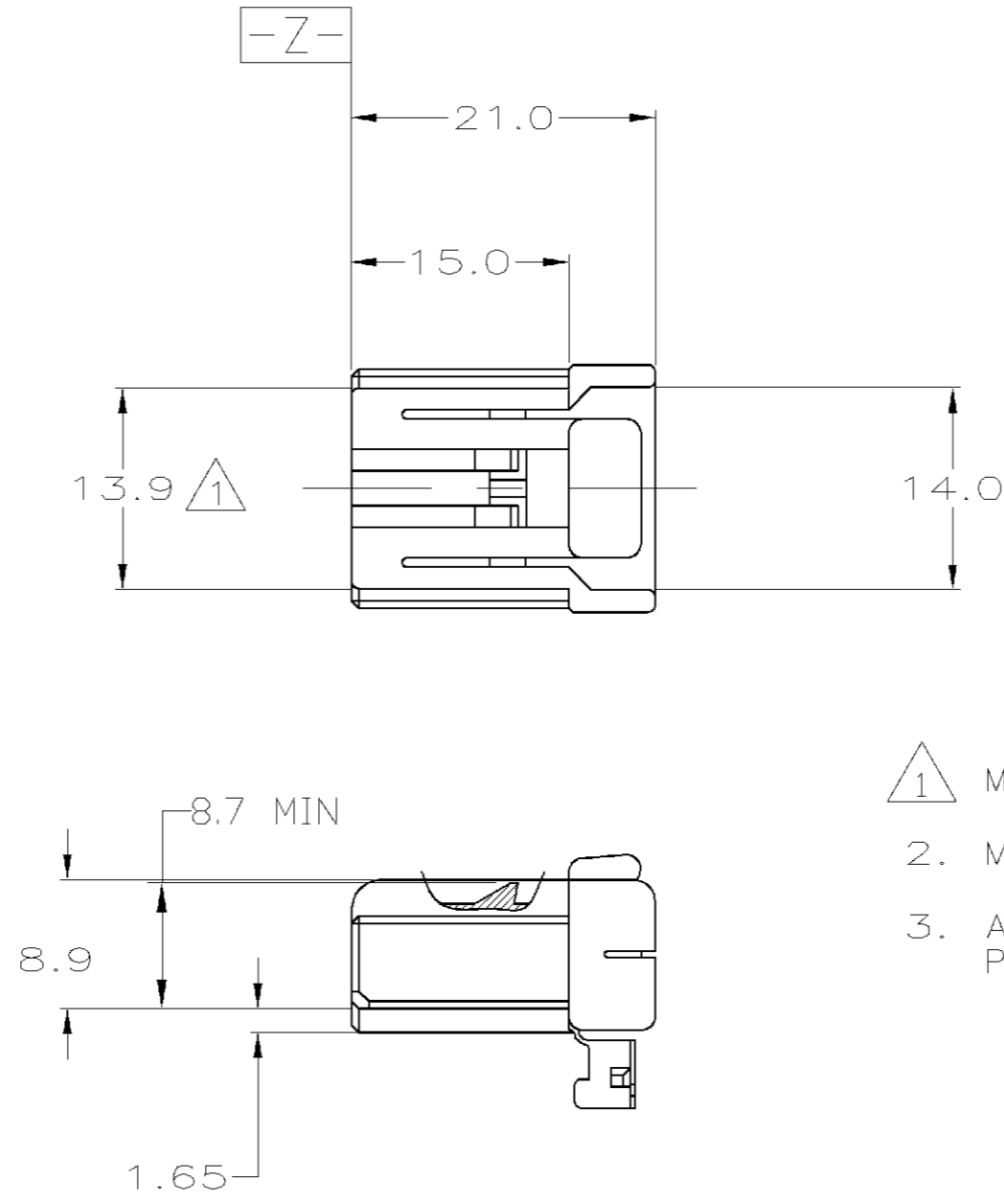
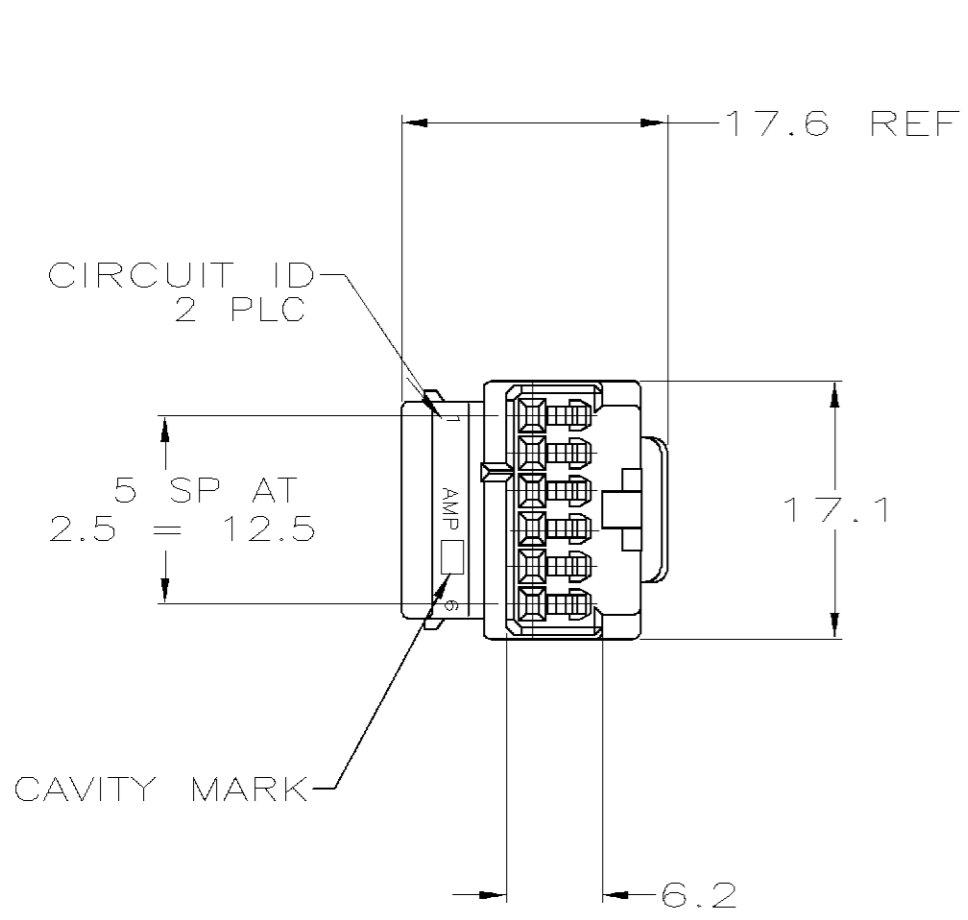


THIS DRAWING IS UNPUBLISHED. RELEASED FOR PUBLICATION
 © COPYRIGHT BY TYCO ELECTRONICS CORPORATION. ALL RIGHTS RESERVED.

LOC	DIST	REVISIONS					
FX	55	P	LTR	DESCRIPTION	DATE	DWN	APVD
		C		EC 0K80-0162-02	07JUN02	JRB	SSA



- 1. MUST BE HELD BETWEEN -Z- AND 2MM
- 2. MATES TO MOLDED-IN INTERFACE DEVICE
- 3. APPLIED RECEPTACLE CONTACT PART NUMBER IS 173681

GRAY	776195-6
COLOR	PART NUMBER

THIS DRAWING IS A CONTROLLED DOCUMENT.		DWN P. YEAGER 5-23-96	Tyco Electronics Corporation Harrisburg, PA 17105-3608				
DIMENSIONS: MM 		CHK R. GRAY 5-23-96					
TOLERANCES UNLESS OTHERWISE SPECIFIED: 0 PLC ± 0.25 1 PLC ± 0.15 2 PLC ± 0.1 3 PLC ± - 4 PLC ± - ANGLES ± -		APVD R. GRAY 5-23-96	NAME 6 POSN PLUG HSG, RIGHT KEY .040 SERIES MULTI-LOCK I/O CONN				
MATERIAL -		PRODUCT SPEC 108-5281	SIZE A3	CAGE CODE 00779	DRAWING NO C-776195	RESTRICTED TO -	
FINISH -		APPLICATION SPEC -	CUSTOMER DRAWING		SCALE 2:1	SHEET 1 OF 1	REV C