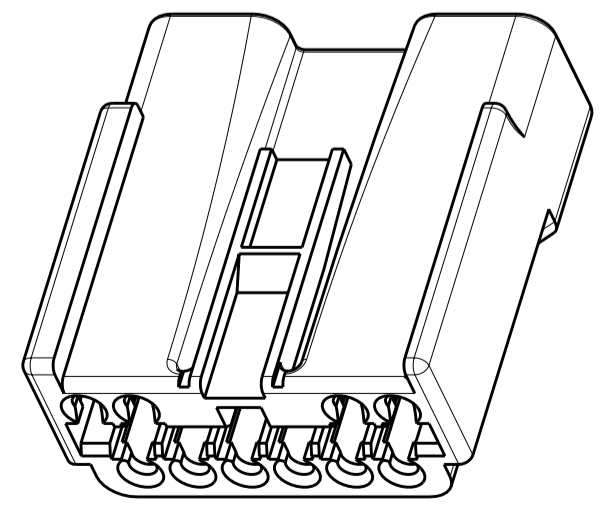
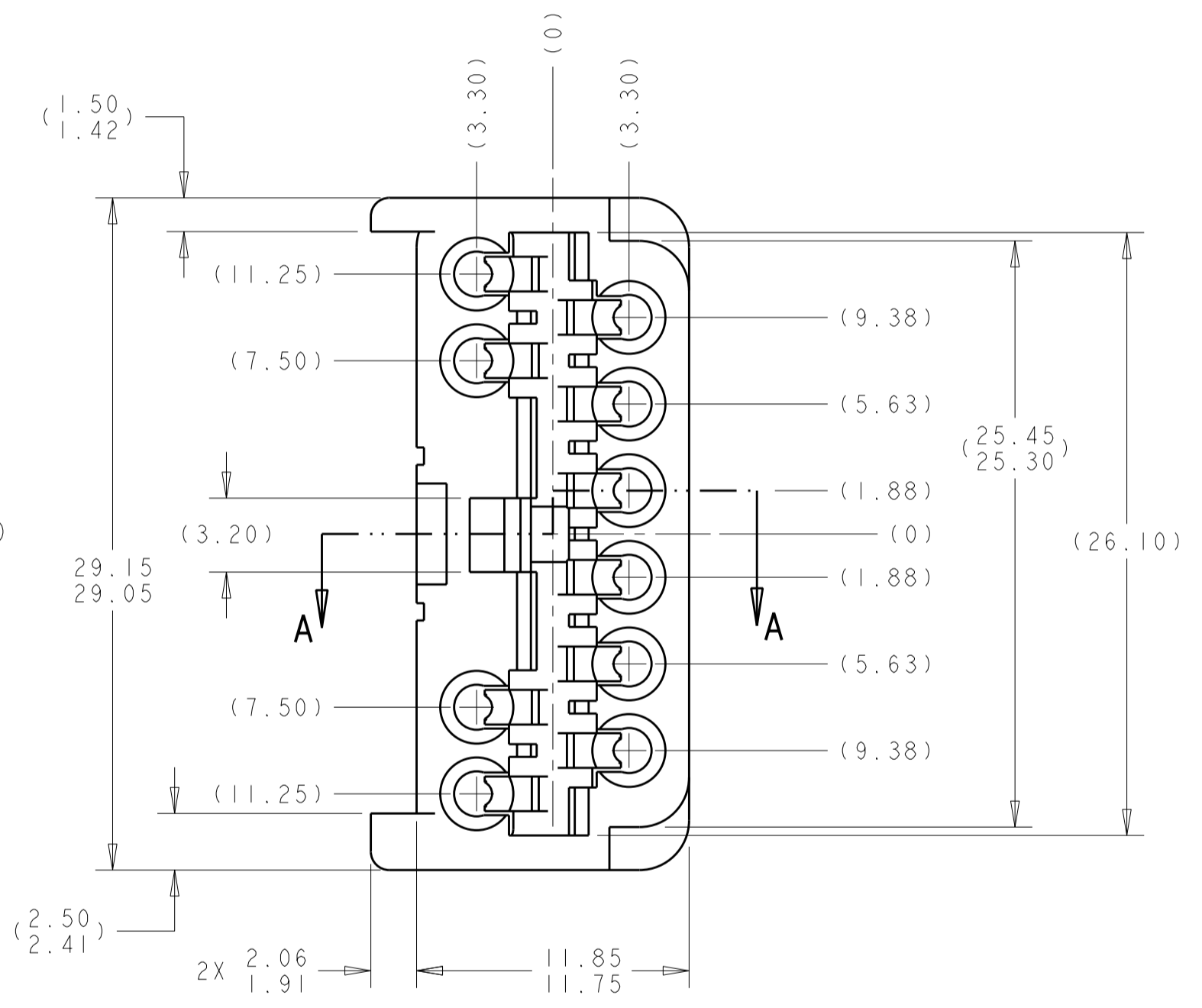
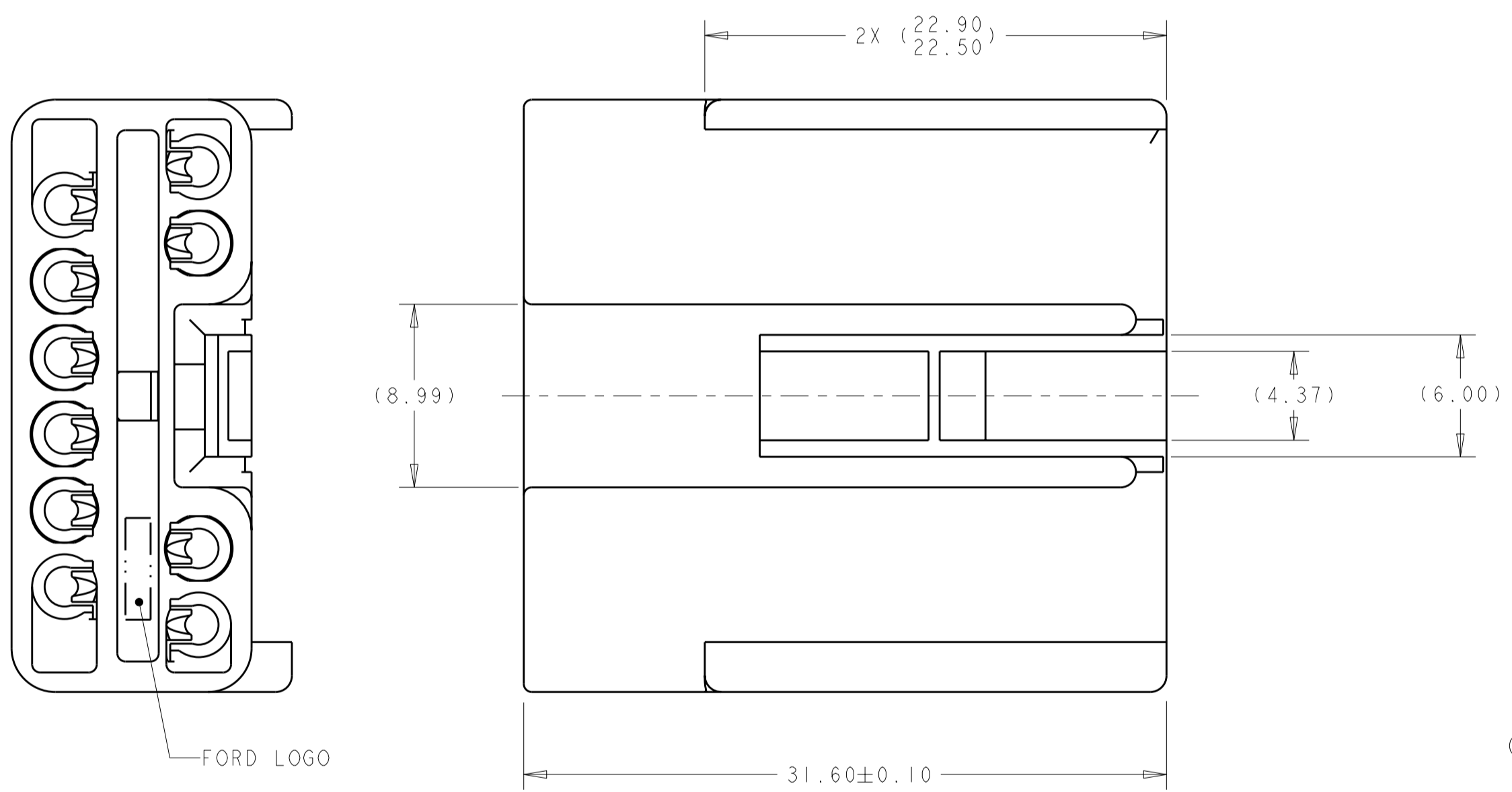
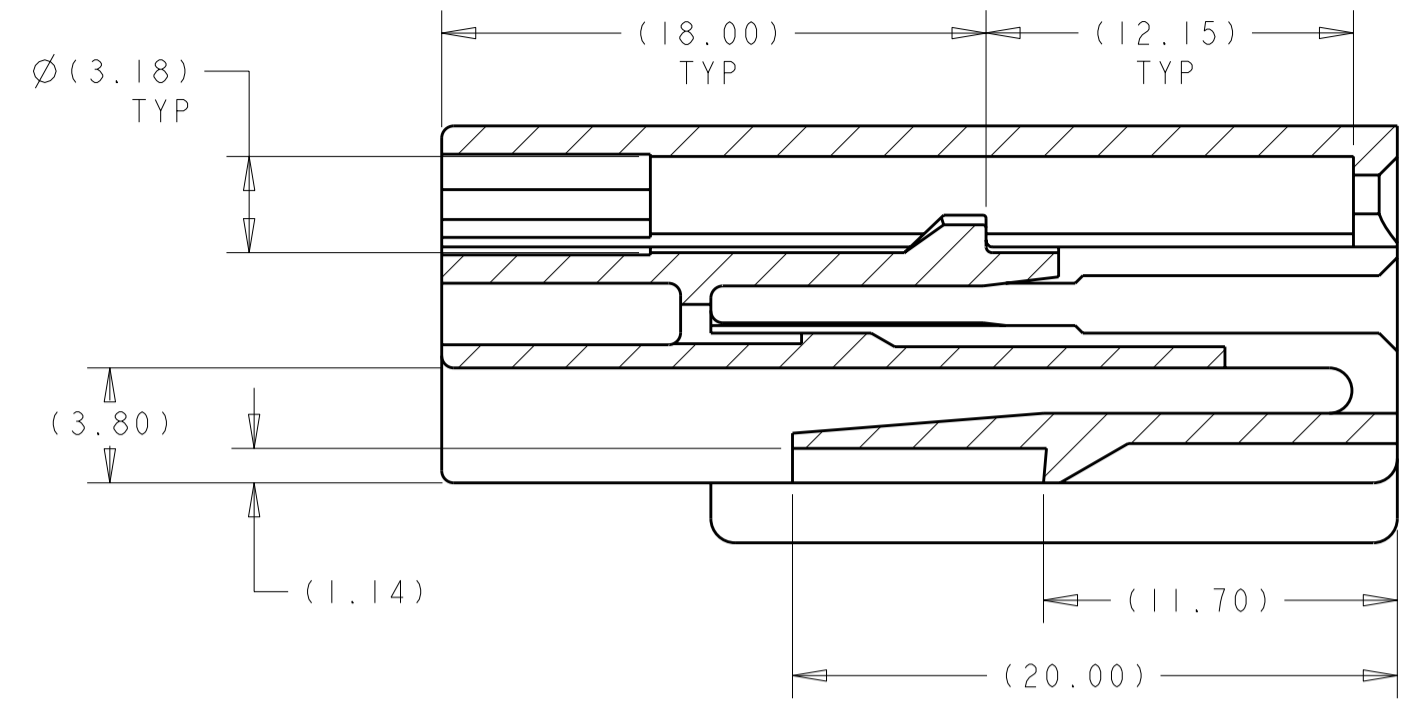
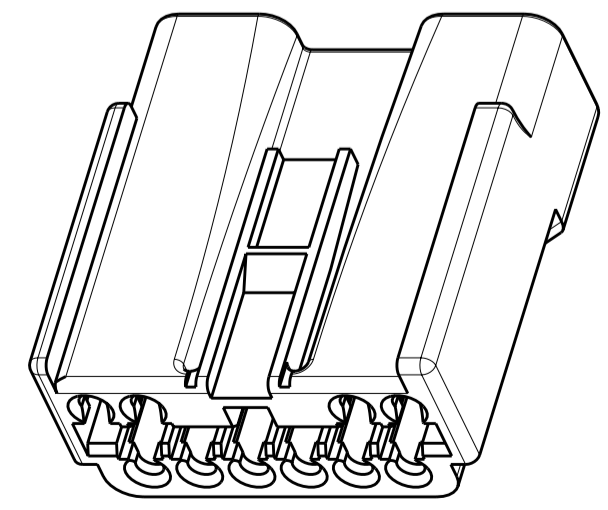


THIS DRAWING IS UNPUBLISHED. RELEASED FOR PUBLICATION 20
 © COPYRIGHT 20 BY TYCO ELECTRONICS CORPORATION. ALL RIGHTS RESERVED.

LOC	DIST	REVISIONS			
P	LTR	DESCRIPTION	DATE	DWN	APVD
GE	00				
	C	RE-ACTIVATED PER ECO-09-010378	28APR2009	DD	TB



776074-1
SCALE 2:1



776074-2
SCALE 2:1

COLOR	DESCRIPTION	PART NUMBER
BLACK	RIGHT HAND, NO LOGO	776074-3
GRAY	LEFT HAND	776074-2
BLACK	RIGHT HAND	776074-1

THIS DRAWING IS A CONTROLLED DOCUMENT FOR TYCO ELECTRONICS CORPORATION IT IS SUBJECT TO CHANGE AND THE CONTROLLING ENGINEERING ORGANIZATION SHOULD BE CONTACTED FOR THE LATEST REVISION.		DWN A. HOLT 14JUN2005 CHK B. KUHNLY 14JUN2005 APVD B. KUHNLY 14JUN2005	Tyco Electronics Harrisburg, PA 17105-3608
DIMENSIONS: mm 	TOLERANCES UNLESS OTHERWISE SPECIFIED: 0 PLC ± 1 PLC ± 2 PLC ± 3 PLC ± 4 PLC ± ANGLES ±° FINISH	PRODUCT SPEC APPLICATION SPEC WEIGHT CUSTOMER DRAWING	NAME PLUG, MALE, 10 POSITION ABC PROGRAM SIZE CAGE CODE DRAWING NO RESTRICTED TO A200779 C-776074 -
MATERIAL	PBT		

776074