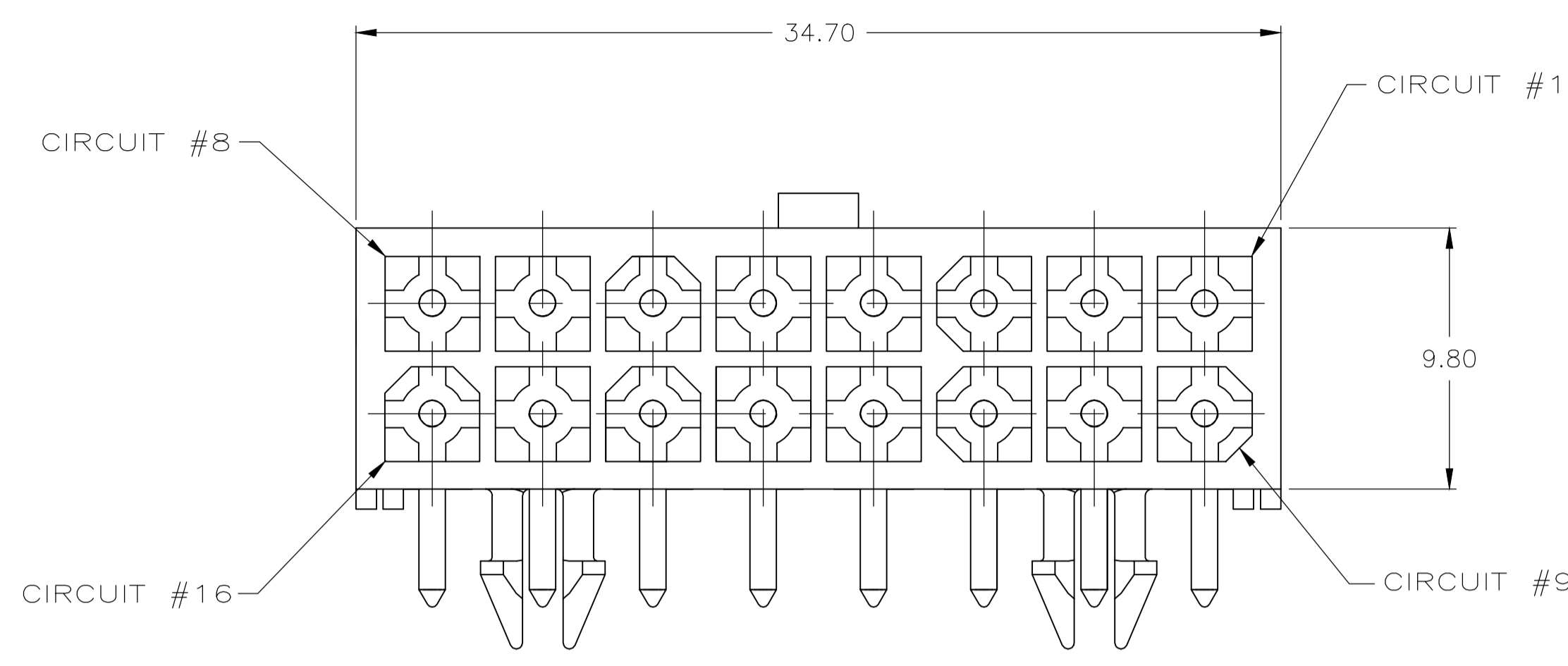
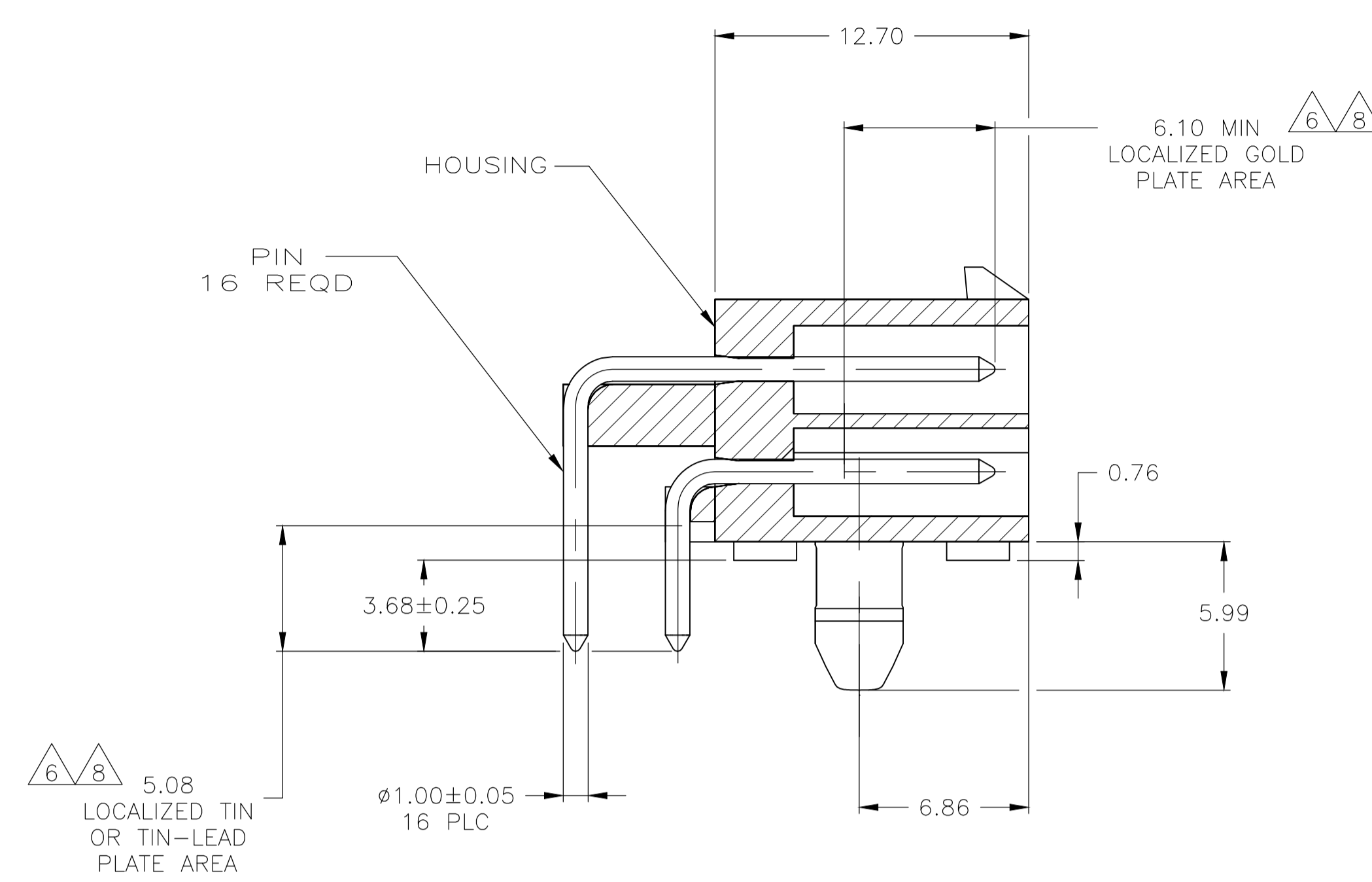
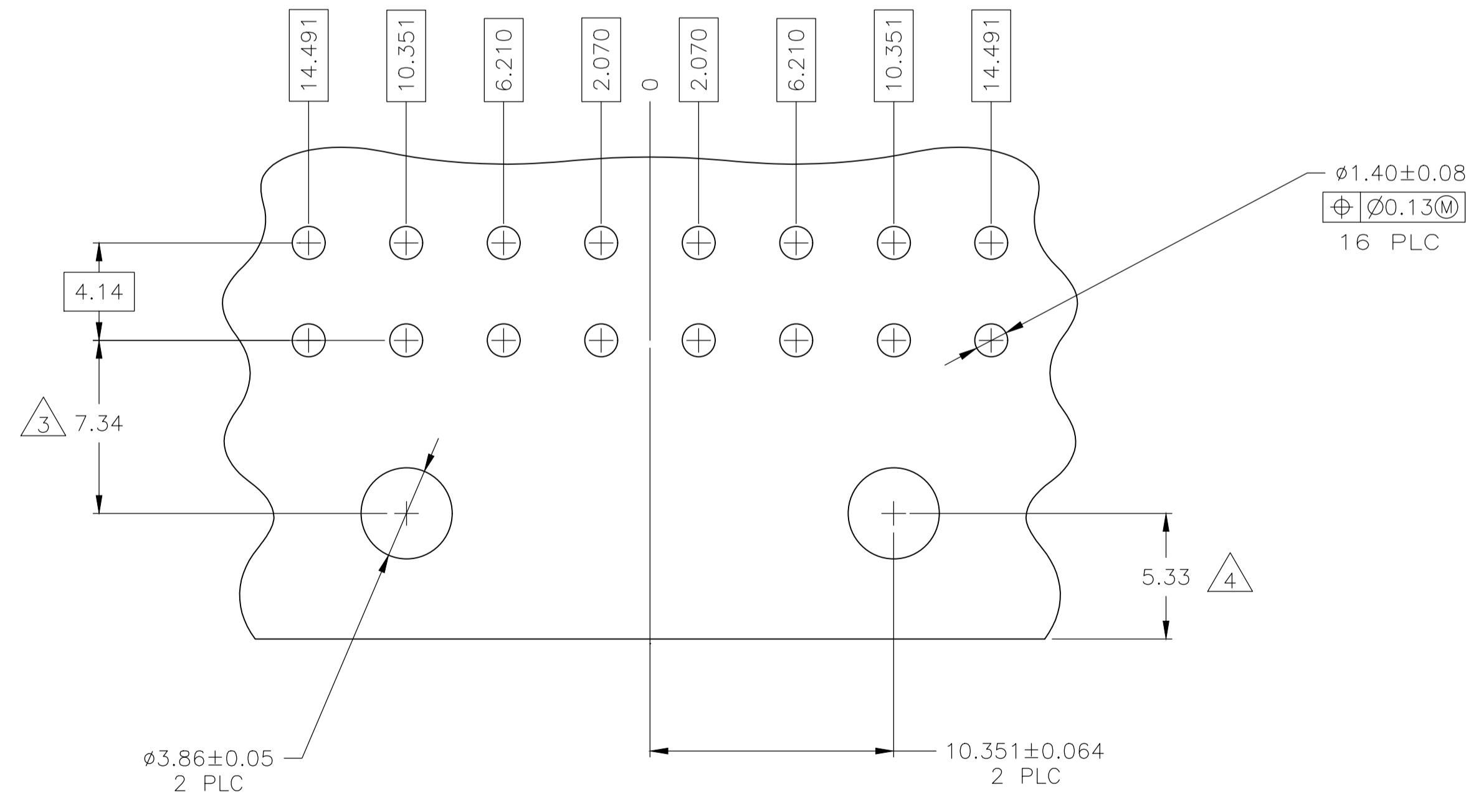


LOC	DIST	REVISIONS			
P	LTR	DESCRIPTION	DATE	DN	APVD
H1	REVISED PER	ECR-18-005392	28NOV2018	BDA	SG



- PINS TO COMPLY WITH AMP SOLDERABILITY SPEC 109-11-3.
- MATES WITH PLUG P/N 770583-1.
- COORDINATE DIMENSION APPLIES FROM CENTER OF ACTUAL FEATURE.
- RECOMMENDED FOR EDGE MOUNTING.
- 0.00381 MIN MATTE TIN LEAD OVER 0.00127 MIN NICKEL ENTIRE LENGTH OF PIN.
- 0.00076 MIN GOLD PLATE IN THE LOCALIZED PLATE AREA, 0.00381 MIN MATTE TIN LEAD IN THE LOCALIZED PLATE AREA, BOTH OVER 0.00127 MIN NICKEL.
- 0.00381 MIN MATTE TIN OVER 0.00127 MIN NICKEL.
- 0.00076 MIN GOLD PLATE IN THE LOCALIZED GOLD PLATE AREA, 0.00381 MIN MATTE TIN IN THE LOCALIZED TIN PLATE AREA, BOTH OVER 0.00127 MIN NICKEL.



RECOMMENDED MOUNTING HOLE PATTERN FOR 1.57 THICK P.C. BOARD

3.68	.145	34.70	1.366
2.070	.0815	14.491	.5705
1.57	.062	12.70	.500
1.40	.055	10.351	.4075
1.00	.039	9.80	.386
0.76	.030	7.34	.289
0.25	.010	6.86	.270
0.13	.005	6.210	.2445
0.08	.003	6.10	.240
0.064	.0025	5.99	.236
0.05	.002	5.33	.210
0.00381	0.000150	5.08	.200
0.00127	0.000050	4.14	.163
0.00076	0.000030	3.86	.152
MM	IN	MM	IN

CONVERSION TABLE

BRASS	8	NYLON, UL94V-0	WHITE	1-770974-1
BRASS	7	NYLON, UL94V-0	WHITE	1-770974-0
OBsolete	6	NYLON, UL94V-0	WHITE	770974-2
BRASS	5	NYLON, UL94V-0	WHITE	770974-1
MATERIAL	FINISH	MATERIAL	COLOR	PART NO.

THIS DRAWING IS A CONTROLLED DOCUMENT.

DIMENSIONS: mm	TOLERANCES UNLESS OTHERWISE SPECIFIED:	DIN S. CARPENTER 12AUG03	12AUG03
0 PLC ± -	1 PLC ± -	CHK C. JONES 12AUG03	12AUG03
2 PLC ± -	3 PLC ± 0.13	APVD C. JONES 12AUG03	12AUG03
4 PLC ± -	ANGLES ± -	NAME	TE Connectivity
SEE TABLE	SEE TABLE	PRODUCT SPEC	HEADER ASSEMBLY, RIGHT ANGLE, WITH SHORT PEG, 16 CIRCUIT, MINI UNIVERSAL MATE-N-LOK(TM)
MATERIAL	FINISH	APPLICATION SPEC	SIZE
SEE TABLE	SEE TABLE	WEIGHT	A1 00779
CUSTOMER DRAWING	SCALE 5:1	RESTRICTED TO	1 OF 1