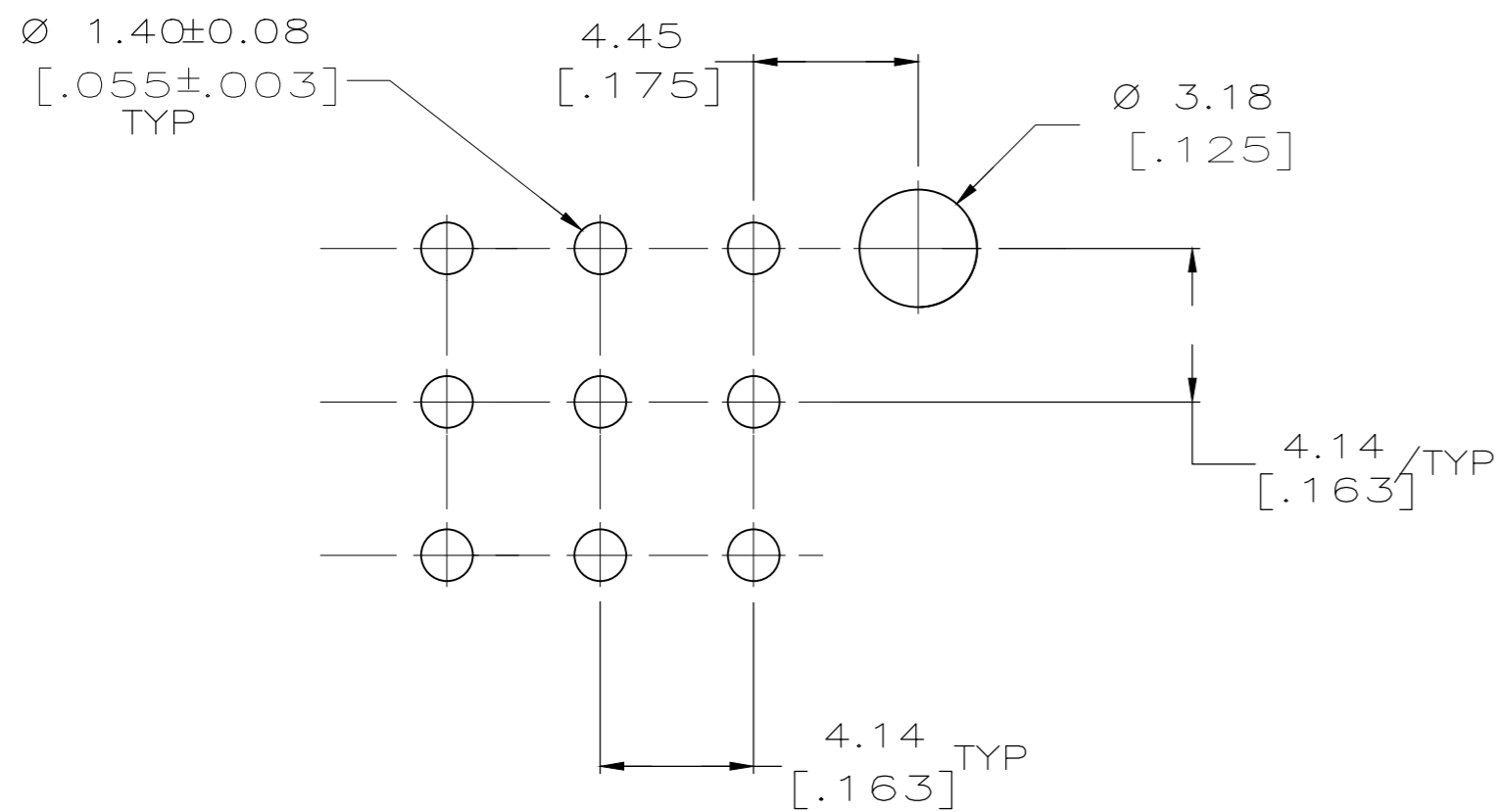
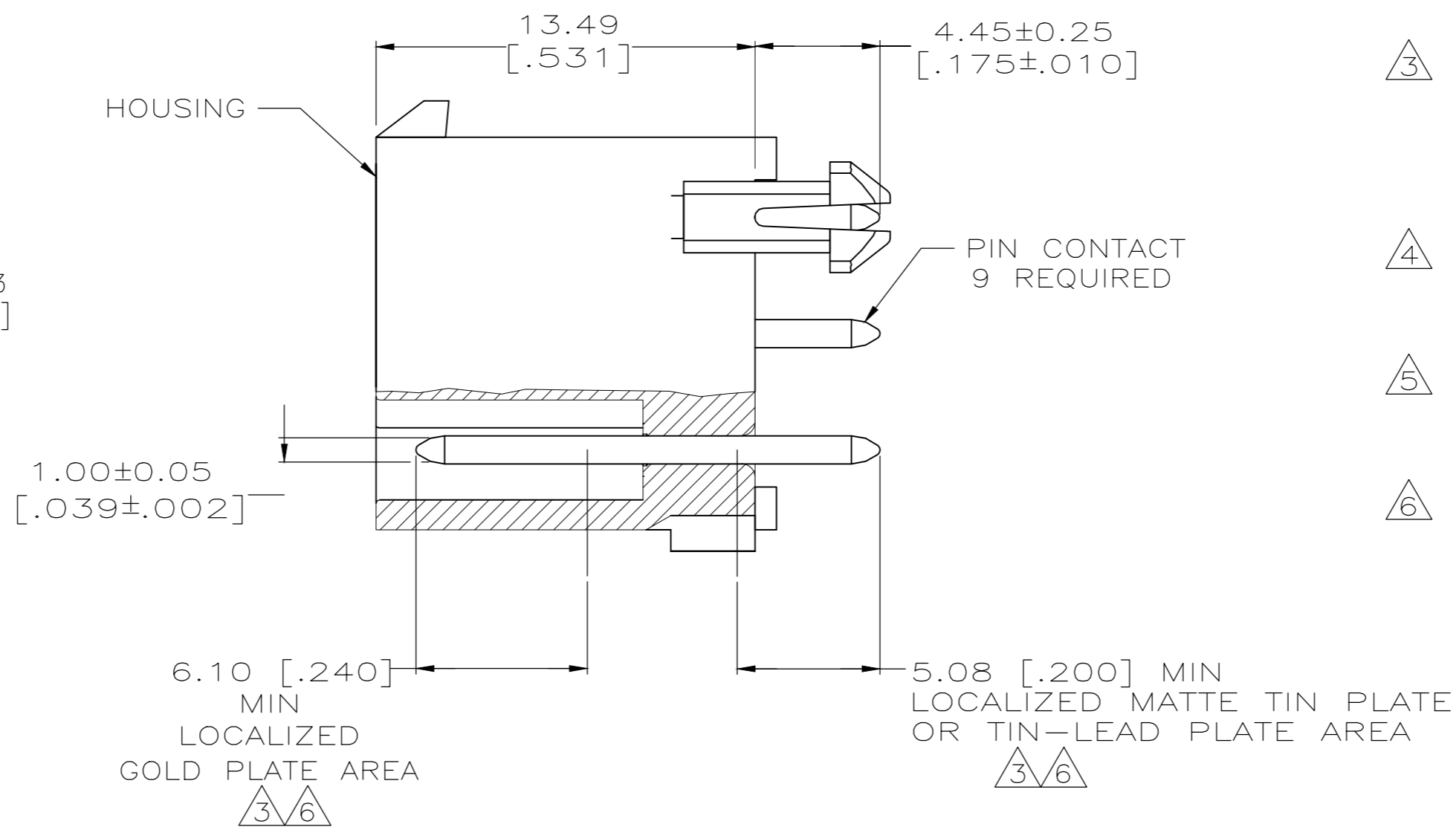
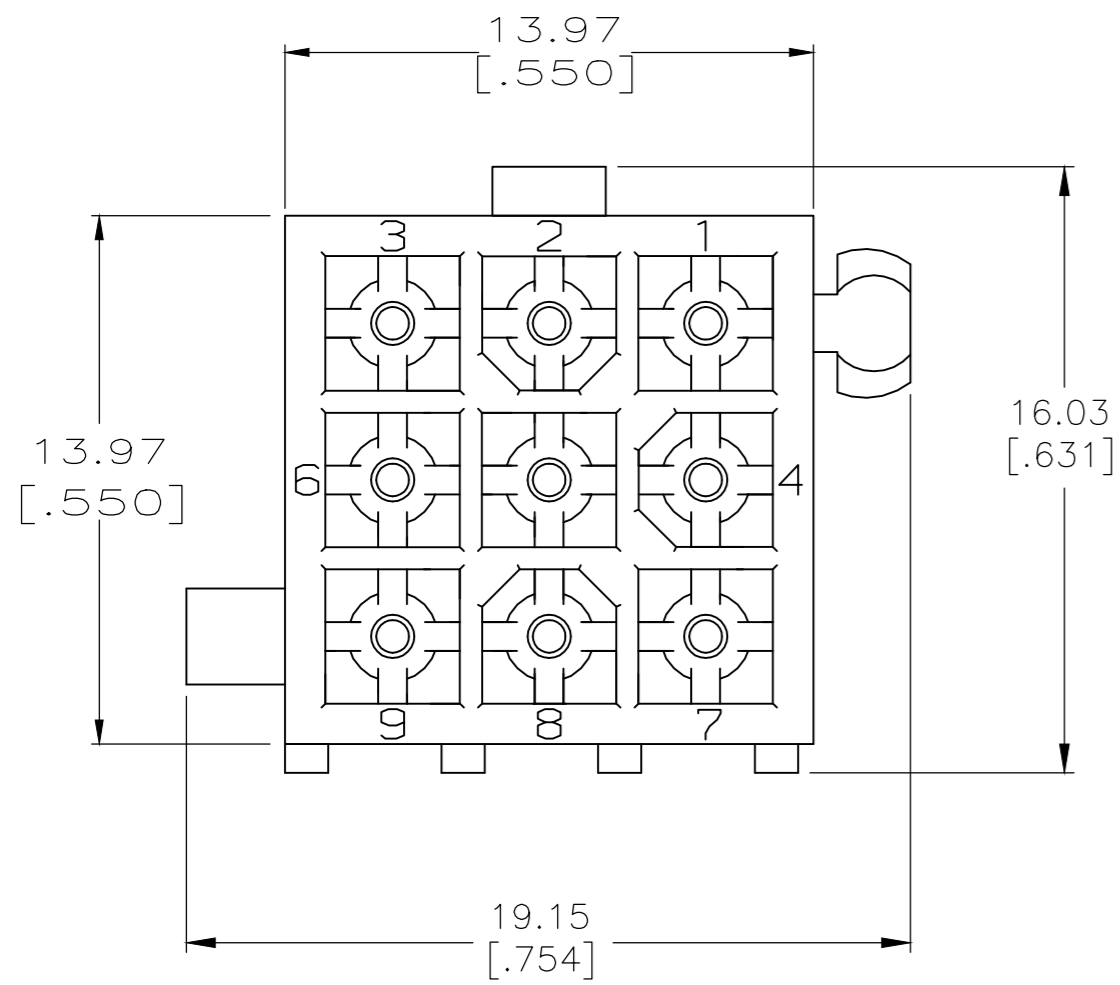


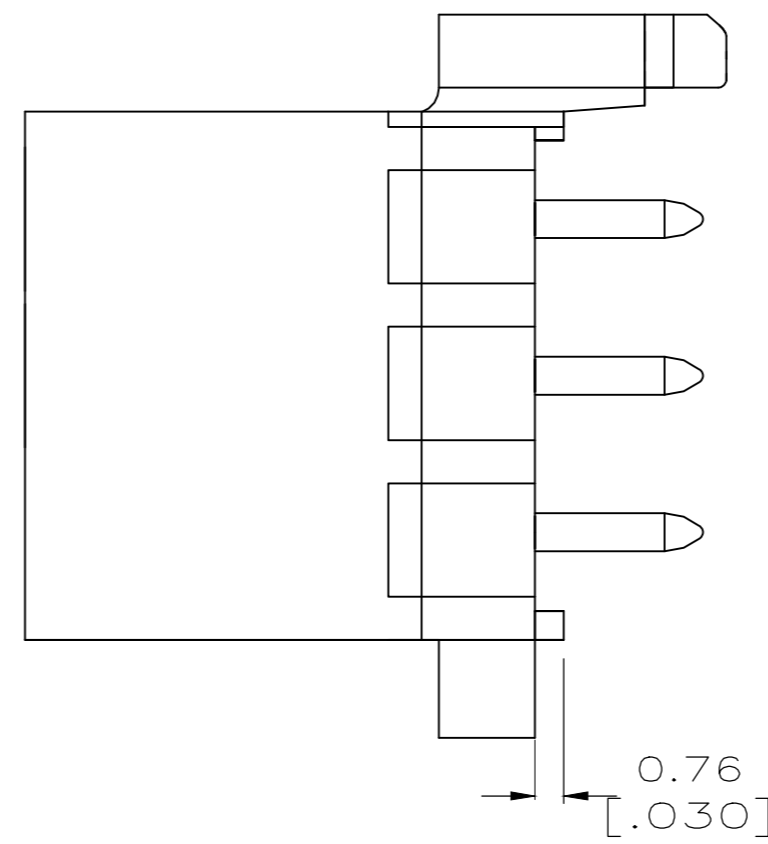
THIS DRAWING IS UNPUBLISHED. RELEASED FOR PUBLICATION
 © COPYRIGHT - TE Connectivity Ltd. ALL RIGHTS RESERVED.

| REVISIONS | | | | |
|-----------|-----|---------------------------|-----------|-------|
| P | LTR | DESCRIPTION | DATE | APVD |
| G1 | | REVISED PER ECO-18-019906 | 20DEC2018 | RS SG |



RECOMMENDED LAYOUT FOR 1.57 [.062] THICK BOARD
 TOLERANCES NON-ACCUMULATIVE

- PINS TO COMPLY WITH AMP SOLDERABILITY SPEC. 109-11-3.
- DIMENSIONS SHOWN IN BRACKETS ARE IN INCHES.
- 0.00076 [.000030] MIN GOLD PLATE IN THE LOCALIZED GOLD PLATE AREA, 0.00381 [.000150] MATTE TIN LEAD IN THE LOCALIZED TIN LEAD PLATE AREA, BOTH OVER 0.00127 [.000050] MIN NICKEL.
- 0.00381 [.000150] MATTE TIN LEAD OVER 0.00127 [.000050] MIN NICKEL ENTIRE LENGTH OF PIN.
- 0.00381 [.000150] MATTE TIN OVER 0.00127 [.000050] MIN NICKEL ENTIRE LENGTH OF PIN.
- 0.00076 [.000030] MIN GOLD PLATE IN THE LOCALIZED GOLD PLATE AREA, 0.00381 [.000150] MATTE TIN IN THE LOCALIZED TIN PLATE AREA, BOTH OVER 0.00127 [.000050] MIN NICKEL.



| BRASS | 6 | NYLON, UL94V-0 | WHITE | 1-770876-1 |
|----------|--------|----------------|-------|------------|
| BRASS | 5 | NYLON, UL94V-0 | WHITE | 1-770876-0 |
| BRASS | 3 | NYLON, UL94V-0 | WHITE | 770876-2 |
| BRASS | 4 | NYLON, UL94V-0 | WHITE | 770876-1 |
| MATERIAL | FINISH | MATERIAL | COLOR | PART NO. |
| PIN | | HOUSING | | |

THIS DRAWING IS A CONTROLLED DOCUMENT.

| | | | | |
|------------------|-------------|-----------|-------------------|--|
| DWN | S CARPENTER | 09JUN05 | | |
| CHK | R JONES | 29JUL2003 | | |
| APVD | R JONES | 29JUL2003 | | |
| PRODUCT SPEC | | | | |
| APPLICATION SPEC | | | NAME | |
| WEIGHT | | | 0.000000 | |
| CUSTOMER DRAWING | | | A2 00779 C=770876 | |

HEADER ASSEMBLY
 CLOSED BOTTOM, 9 CKT,
 MINI UNIVERSAL MATE-N-LOK

SCALE 5:1 SHEET 1 OF 1 REV G1