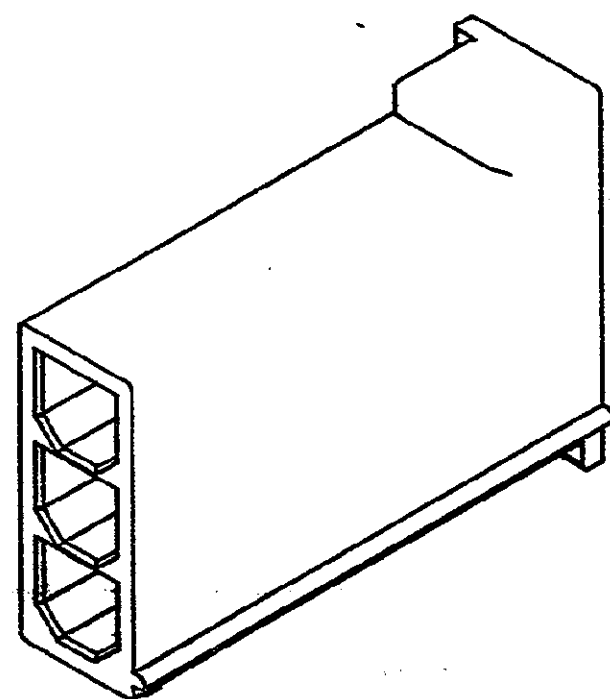
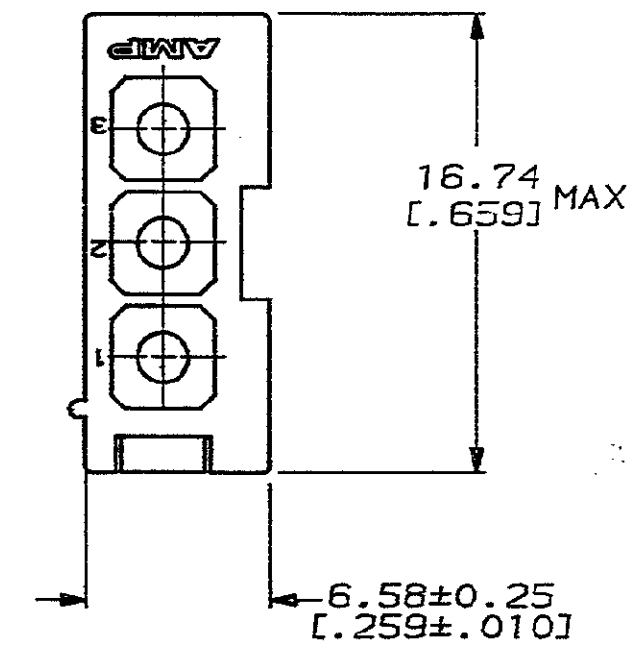
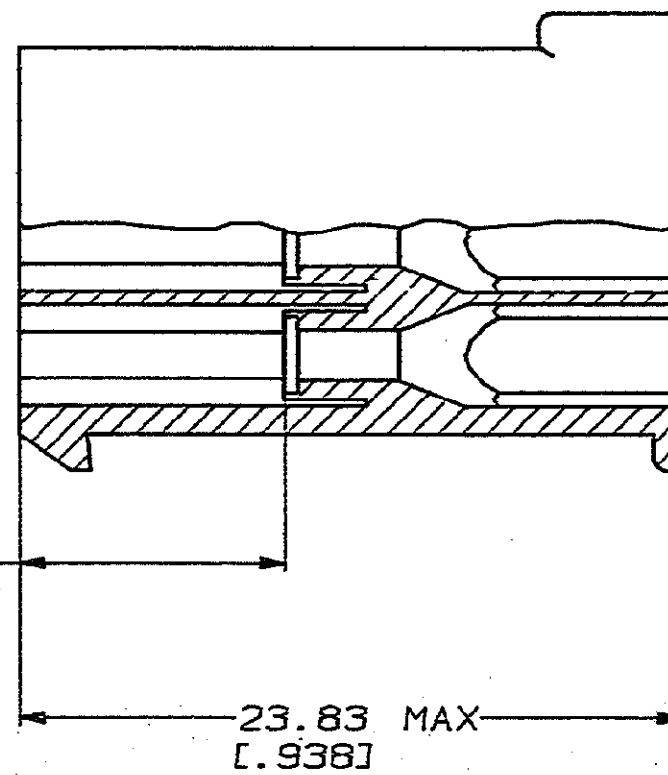
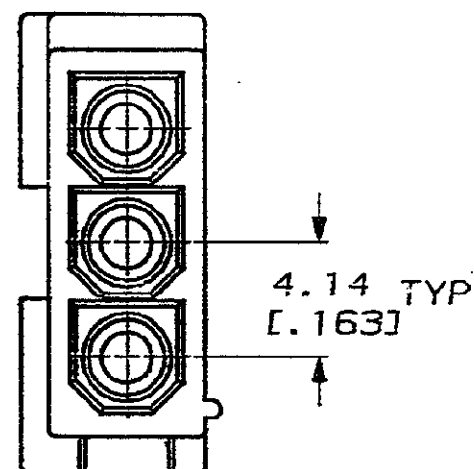


DRAWING MADE IN THIRD ANGLE PROJECTION
 THIS DRAWING IS UNPUBLISHED. RELEASED FOR PUBLICATION .19
 © COPYRIGHT 19 BY AMP INCORPORATED. ALL INTERNATIONAL RIGHTS RESERVED.

LOC	DIST	P	F	ZONE	LTR	REVISIONS	DESCRIPTION	DATE	APPD
CM	53				A	REV PER ECN CM-3950		10-15-92	NG RS

1. DIMENSIONS IN BRACKETS ARE IN INCHES.



3-DIMENSIONAL MODEL
NTS

METRIC

DO NOT SCALE PRINT. UNLESS SPECIFIED DIMENSIONS IN mm [INCHES] TOLERANCES ON:		770848-1 PART NO	
2 PLC DEC ± -	3 PLC DEC ± 0.13 [0.005]	AMP INCORPORATED Harrisburg, Pa. 17105	
ANGLES ± -	MATERIAL NYLON, UL 94V-0 WHITE	NAME CAP, 3 CIRCUIT, MINI UNIVERSAL MATE-N-LOK™	
FINISH -	APPLICATION SPEC -	SIZE C	CAGE CODE 00779
WEIGHT -		DRAWING NO 770848	
		SCALE 4:1	SHEET 1 OF 1

AMP BUSINESS GROUP 3323 177-34 "NICK GANNON"

770848