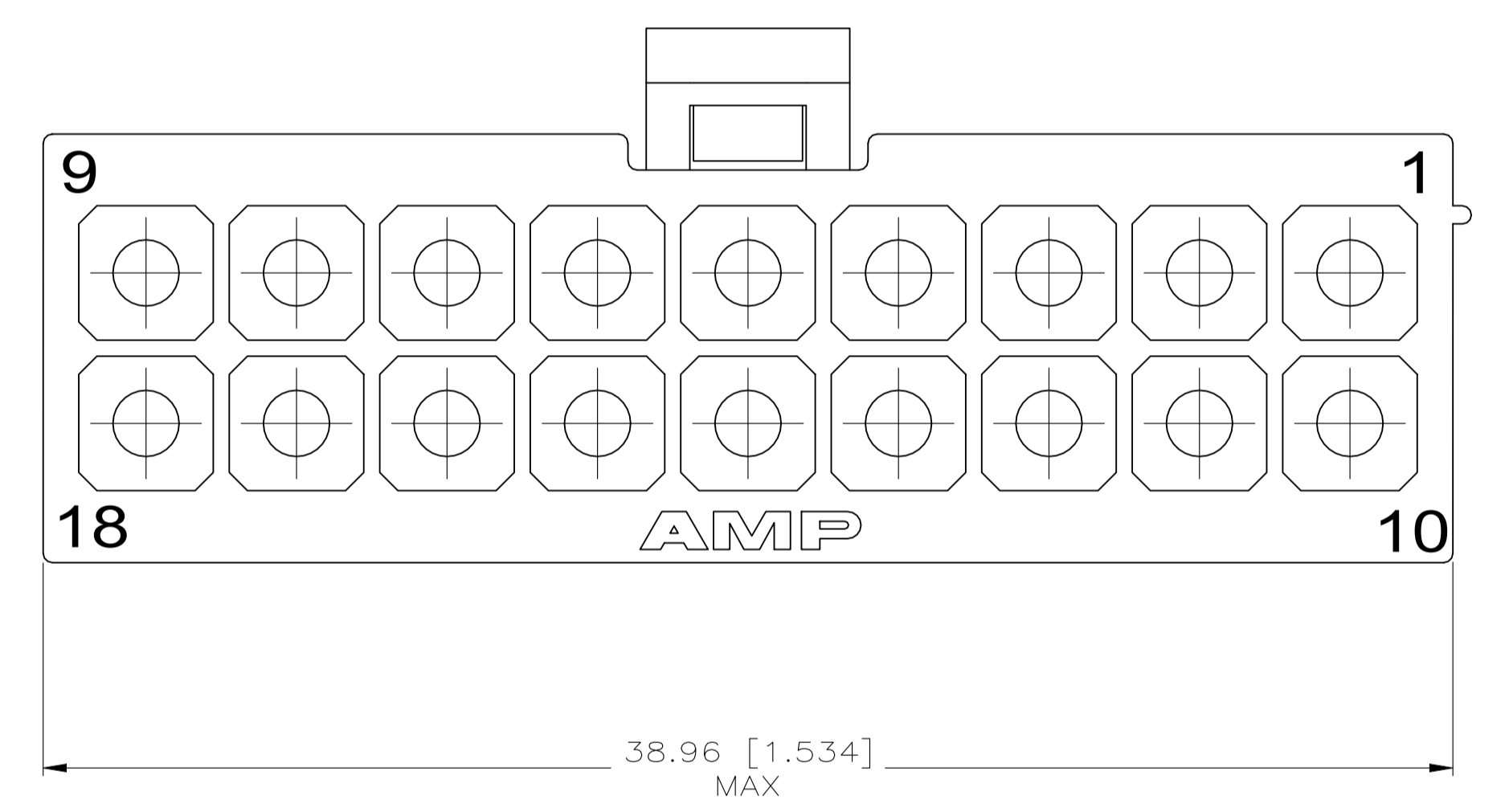
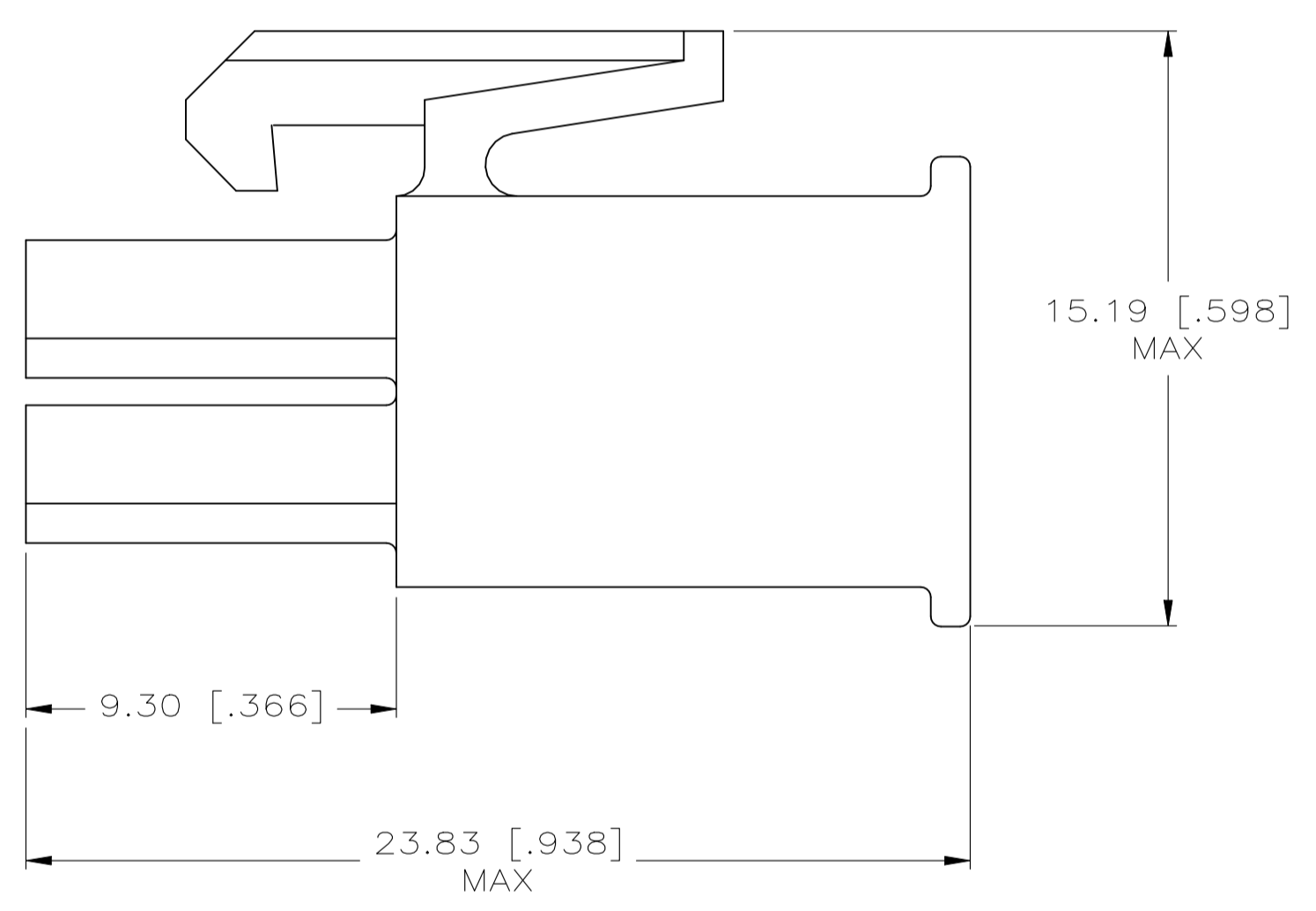
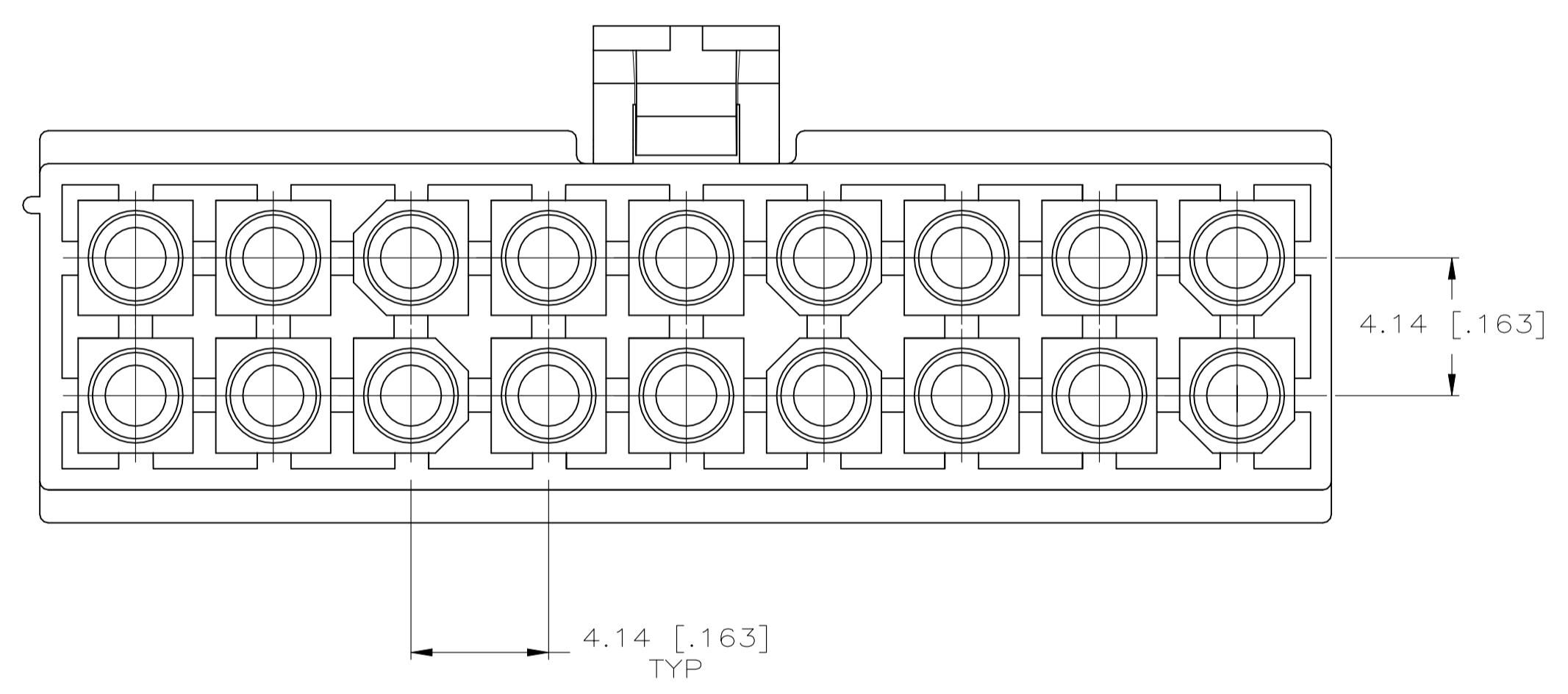


REVISIONS					
REV	DATE	DESCRIPTION	BY	CHK	APP'D
H	17MAY2024	REVISED PER ECR-24-208943	DK	JP	

1. INDIVIDUAL CORING FEATURES AROUND BASES OF SILOS MAY NOT BE PRESENT IN ALL LOCATIONS SHOWN.



770584-1  
PART NUMBER

THIS DRAWING IS A CONTROLLED DOCUMENT.		DIN S. HOOVER 12-MAY-2004	 TE Connectivity
DIMENSIONS: mm [INCHES]		CHK C. JONES 12-MAY-2004	
TOLERANCES UNLESS OTHERWISE SPECIFIED:		APP'D C. JONES 12-MAY-2004	NAME PLUG, 18 CIRCUIT, MINI UNIVERSAL MATE-N-LOK™
0. PLC ±		PRODUCT SPEC	APPLICATION SPEC
1. PLC ±			SIZE CAGE CODE DRAWING NO
2. PLC ±			RESTRICTED TO
3. PLC ± 0.13 [.005]			WEIGHT 0.000000 A1 00779 C=770584
4. PLC ±			CUSTOMER DRAWING SCALE 6:1 SHEET 1 OF 1 REV H
ANGLES ±			
FINISH			
MATERIAL NYLON, UL 94V-0 WHITE			