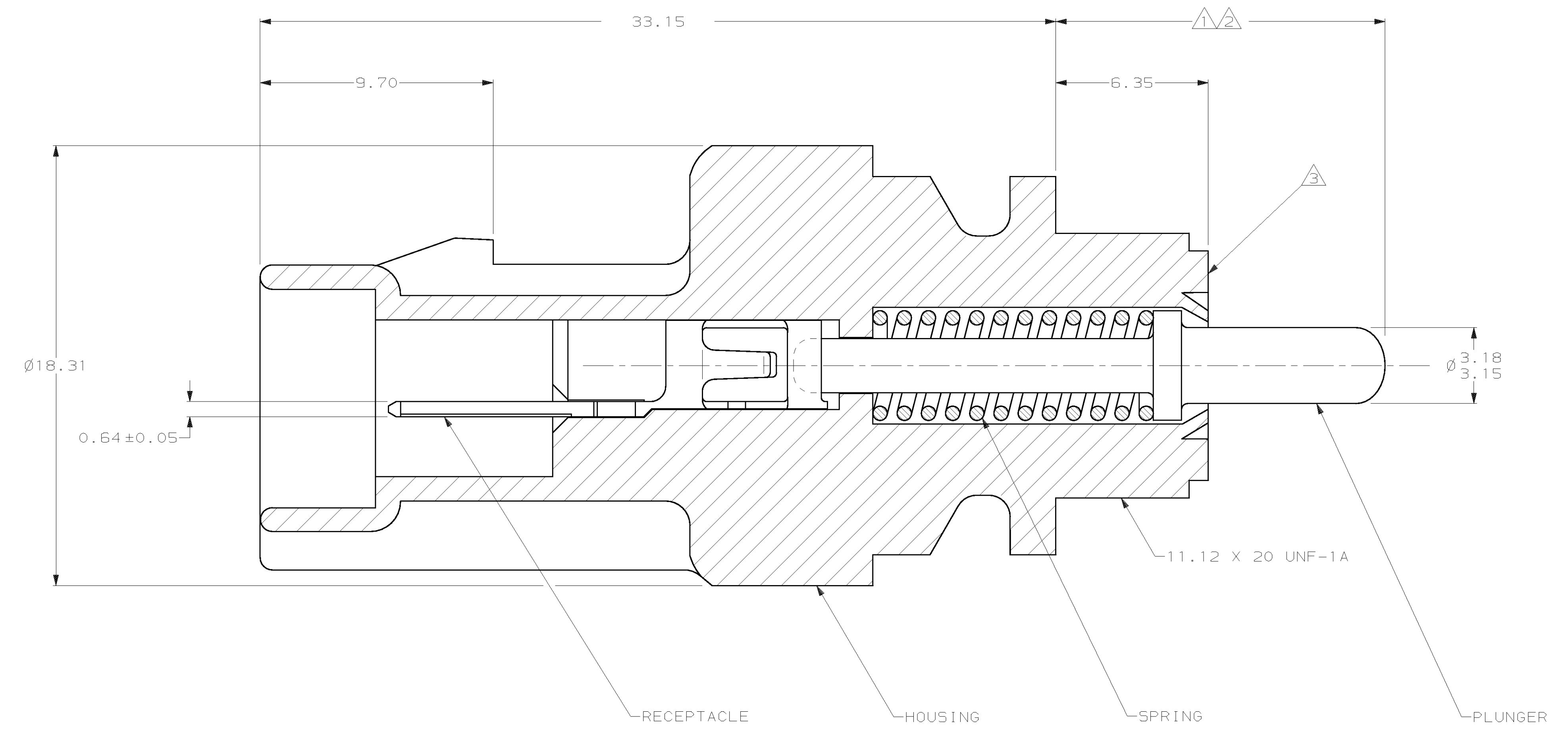
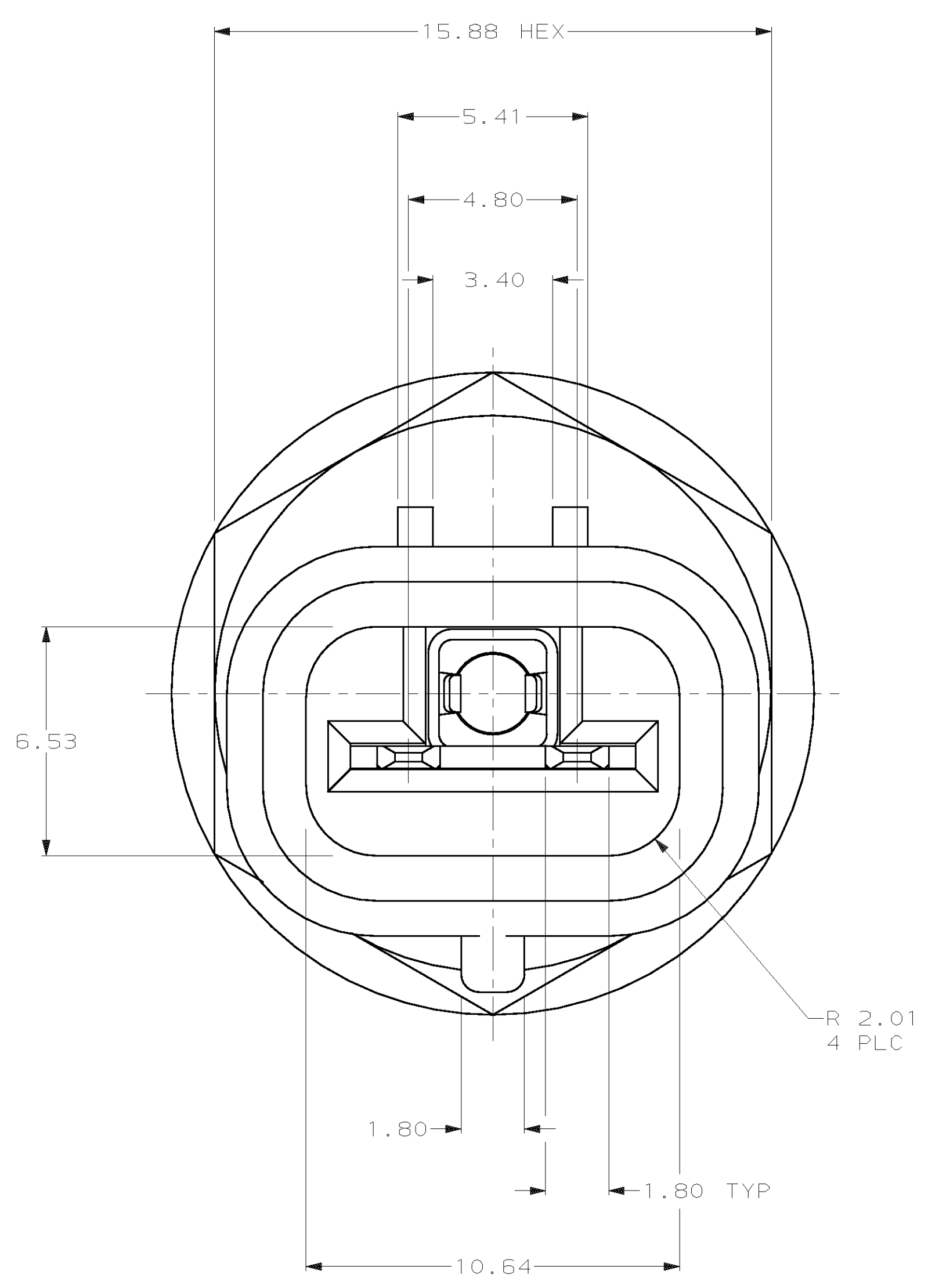


LOC		DIST		P		F		ZONE		LTR		REVISIONS			
CM	51											DESCRIPTION	DATE	APPD	
												K	REV PER EC 0K40-0035-97	4-8-97	JH RS

CONVERSION TABLE					
MM	IN	MM	IN	MM	IN
0.05	.002	5.41	.213	13.26	.522
0.13	.005	6.35	.250	13.46	.530
0.64	.025	6.53	.257	13.97	.550
1.80	.071	9.70	.382	15.88	.625
2.01	.079	10.64	.419	18.31	.721
3.15	.124	11.12	.438	33.15	1.305
3.18	.125	11.30	.445	-	-
3.40	.134	12.27	.483	-	-
4.80	.189	12.83	.505	-	-

- ① PLUNGER POSITION HEIGHT:  
 MAXIMUM SOLID - 11.30  
 FREE - 13.46 - 13.97  
 ELECTRICAL CONTACT - 12.27 - 12.83
- ② PLUNGER LOAD AT 13.26 TO BE 7 TO 9 NEWTONS  
 [ 1.5 TO 2.1 LBS ].
- ③ STAMP 3-DIGIT DATE CODE ON THE PLUNGER END AS  
 INDICATED. DATE CODE TO CONSIST OF CM IF  
 ASSEMBLED IN MEXICO) LAST DIGIT OF THE YEAR,  
 FOLLOWED BY TWO DIGITS REPRESENTING THE WEEK,  
 FOLLOWED BY VENDOR CODE (IF REQUIRED),  
 FOLLOWED BY THE DASH NUMBER. THE NUMBERS  
 SHALL READ CLOCKWISE.



<b>SUPERSEDED BY</b> 770437-4	STAINLESS STEEL	BRASS, BRIGHT TIN-LEAD PL	BRASS, TIN PLATING	NYLON, NATURAL	770437-4
<b>SUPERSEDED BY</b> 770437-4	STAINLESS STEEL	BRASS, BRIGHT TIN-LEAD PL	BRASS, TIN PLATING	NYLON, YELLOW	770437-3
	STAINLESS STEEL	BRASS, BRIGHT TIN-LEAD PL	BRASS, CADMIUM PLATING	NYLON, YELLOW	770437-1
	SPRING	RECEPTACLE	PLUNGER	HOUSING	PART NO

DO NOT SCALE PRINT. UNLESS SPECIFIED DIMENSIONS IN mm [INCHES] TOLERANCES ON: 2 PLC DEC ± 3 PLC DEC ± 0.13 ANGLES ± 0°30'	DR 4-10-92 T. BECK CHK 4-10-92 R. SWING APPD 4-14-92 M. SHORE APPD 4-14-92 M. SHORE
MATERIAL SEE TABLE	PRODUCT SPEC -
FINISH SEE TABLE	APPLICATION SPEC -
	WEIGHT -

<b>AMP</b> AMP Incorporated Harrisburg, PA 17105-3608		
NAME ASSEMBLY, BRAKE SWITCH		
SIZE D 00779	CAGE CODE 00779	DRAWING NO 770437
SCALE 8:1	SHEET 1 OF 1	

**METRIC**