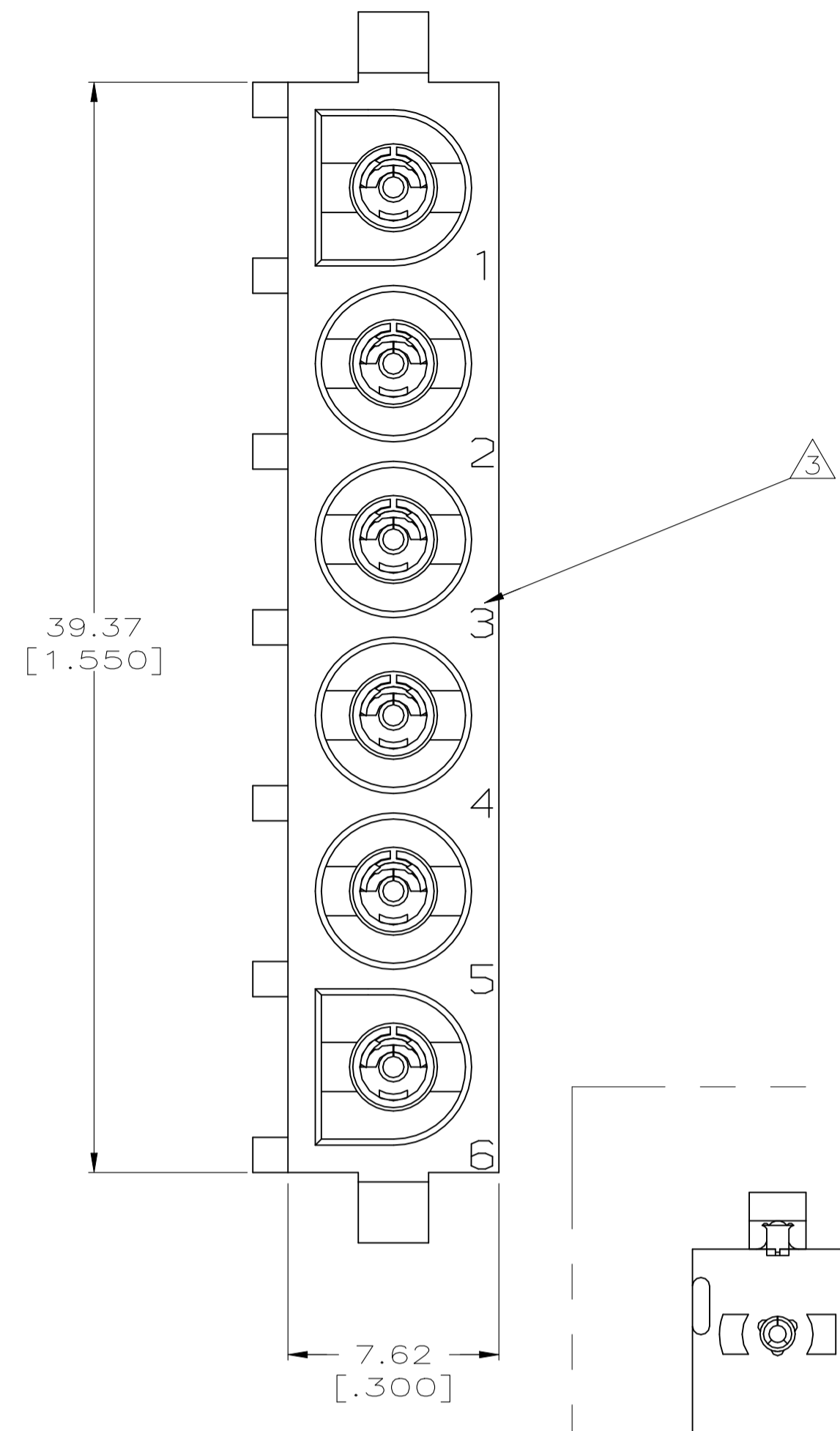
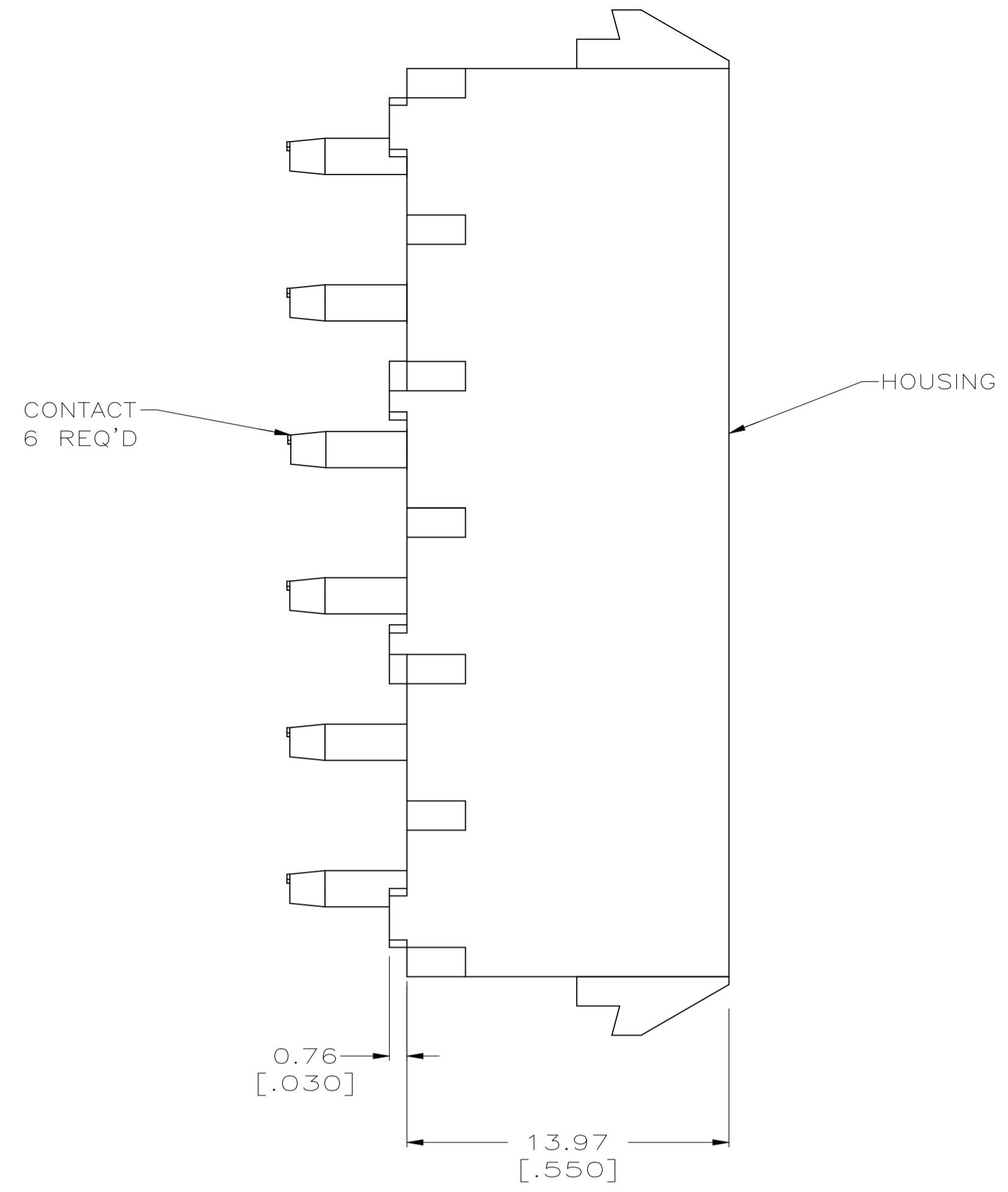
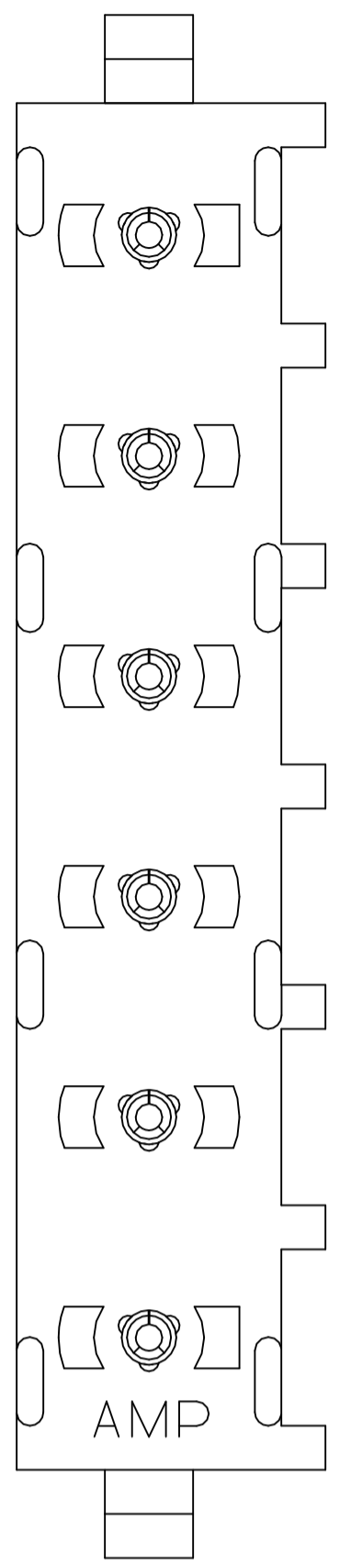
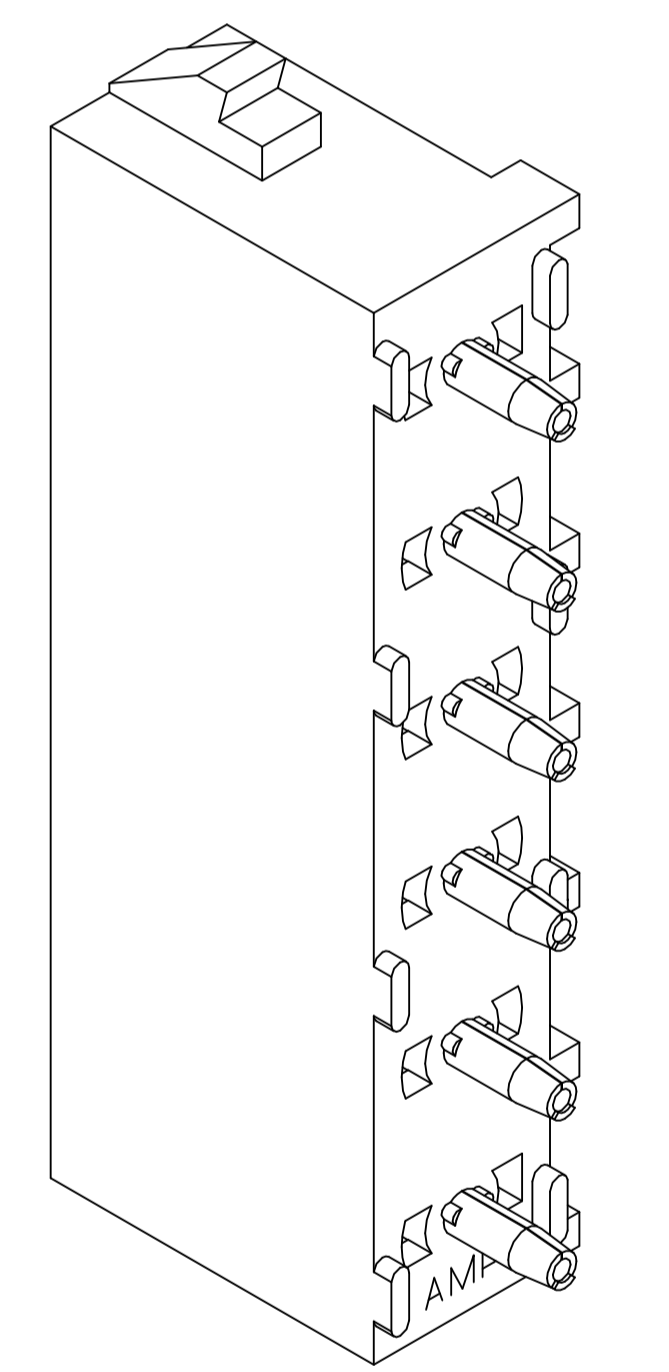
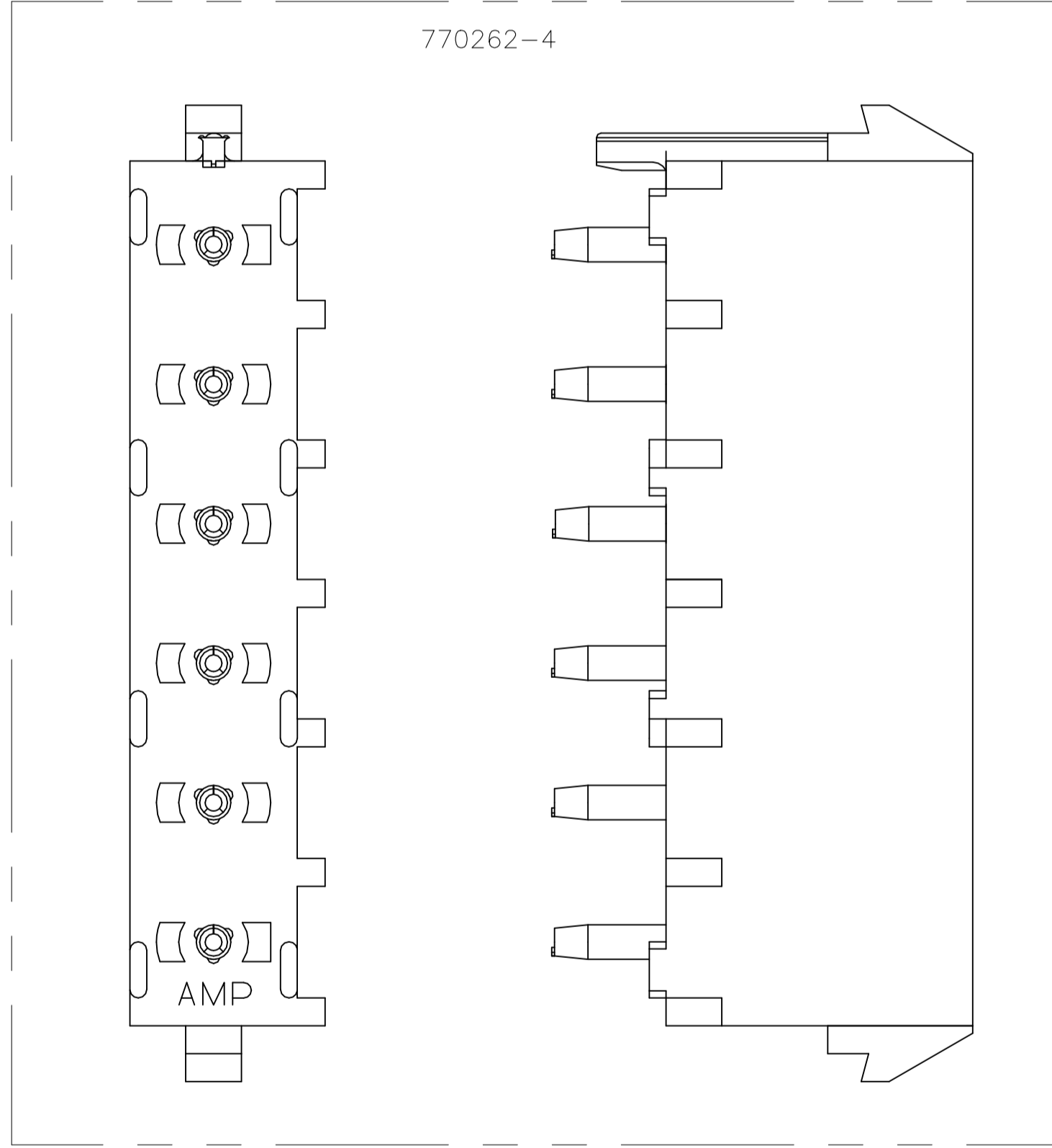
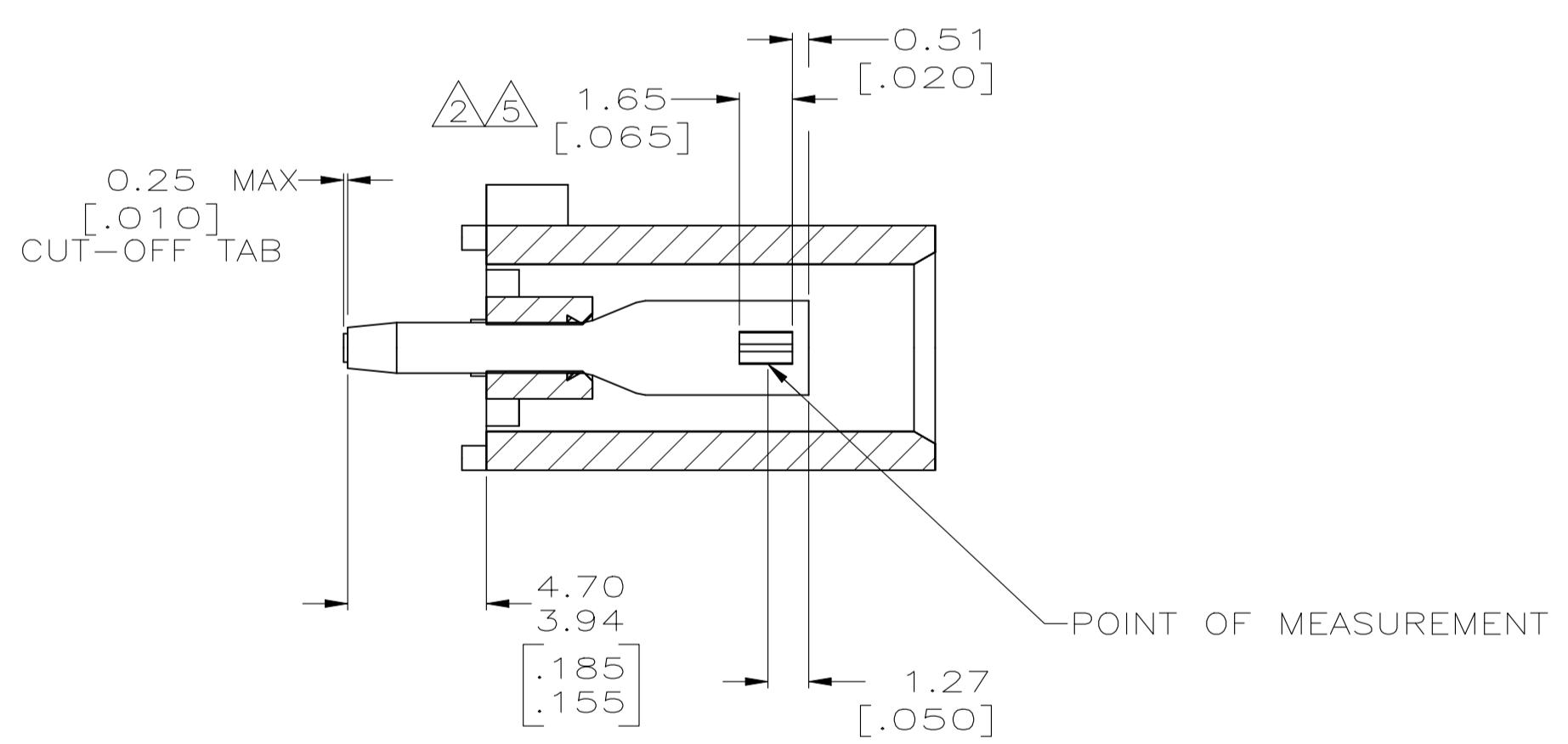


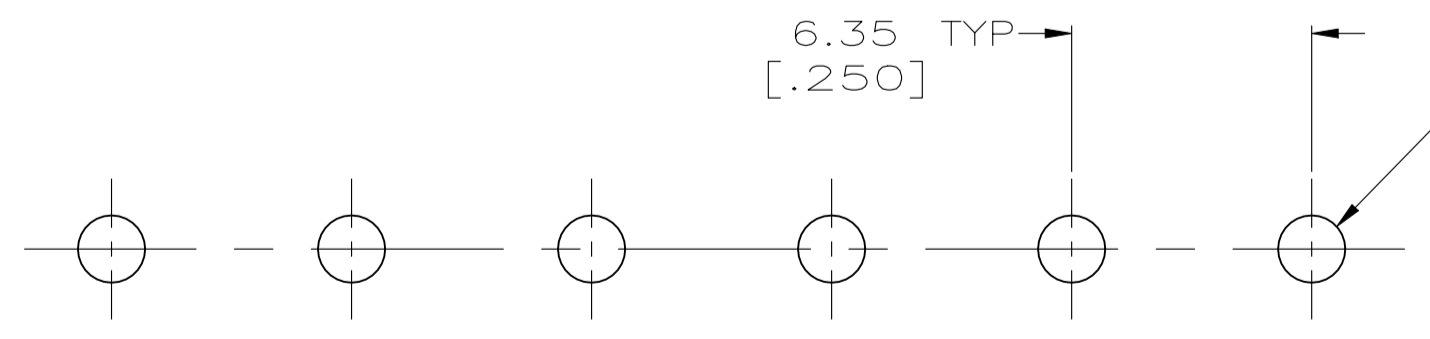
REVISIONS					
REV	DATE	DESCRIPTION	BY	CHK	APP'D
F4	03AUG2022	REVISED PER ECR-21-117154	SKR	VS	



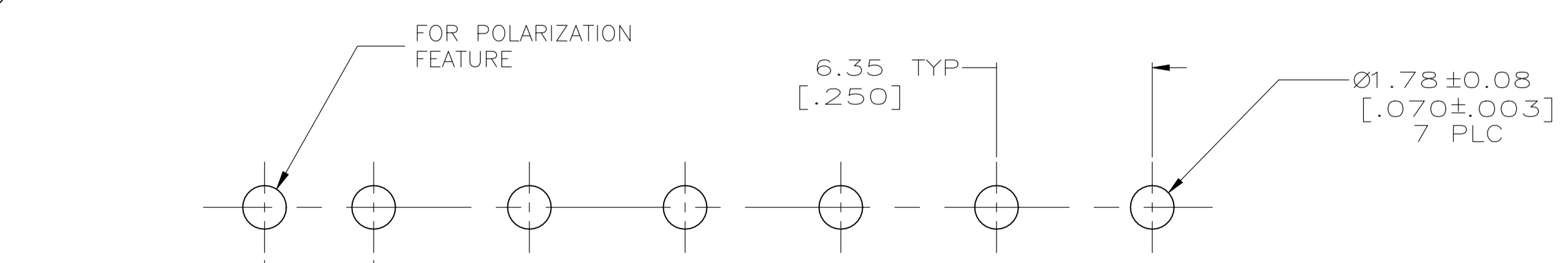
- 1 PARTS COMPLY TO AMP SOLDERABILITY SPECIFICATION 109-11-3.
- 2 CONTACT IS PLATED WITH 0.000127 [.000050] NICKEL, THEN 0.000076 [.000030] GOLD OVER CONTACT LENGTH INDICATED AND MATTE TIN LEAD ON SOLDER TAIL END.
- 3 CIRCUIT IDENTIFICATION CHARACTERS ARE ADJACENT TO THE INDICATED CAVITIES, BUT LOCATION AND ORIENTATION MAY DIFFER FROM PRINT.
- 4 DIMENSIONS IN BRACKETS ARE IN INCHES.
- 5 CONTACT IS PLATED WITH 0.000127 [.000050] NICKEL, THEN 0.000076 [.000030] GOLD OVER CONTACT LENGTH INDICATED AND MATTE TIN ON SOLDER TAIL END.
- 6 SUPERSEDED BY 770262-3
7. DIMENSION SHOWN REPRESENT PRODUCT IN DRY CONDITION. ADDITIONAL 2% GROWTH DUE TO END USE LOCATION MOISTURE ABSORPTION MAY OCCUR AND SHOULD BE ACCOUNTED FOR.



3-DIMENSIONAL MODEL NTS



RECOMMENDED MOUNTING HOLE PATTERN FOR 1.57 [.062] THICK P.C. BOARD FOR 770262-1,2,3



RECOMMENDED MOUNTING HOLE PATTERN FOR 1.57 [.062] THICK P.C. BOARD FOR 770262-4

CONTACT MATERIAL AND FINISH	HOUSING MATERIAL	PART NUMBER
PHOS. PRZ, PRE-TIN	POLARIZED HSG NYLON, UL94V-0, WHITE	770262-4
PHOSPHOR BRONZE, GOLD 5	NYLON,UL94V-0,WHITE	770262-3
PHOSPHOR BRONZE, GOLD 2	NYLON,UL94V-0,WHITE	770262-2
PHOSPHOR BRONZE, PRE-TIN	NYLON,UL94V-0,WHITE	770262-1

THIS DRAWING IS A CONTROLLED DOCUMENT.		DIN R LEWIS 10-05-98	TE Connectivity
DIMENSIONS: mm [INCHES]		CHK R SWING 10-05-98	
TOLERANCES UNLESS OTHERWISE SPECIFIED:		AP'D M TRULL 10-05-98	NAME: SOCKET HEADER ASSEMBLY, 6 CIRCUIT UNIVERSAL MATE-N-LOK™ APPLICATION SPEC:
0 PLC ± - 1 PLC ± - 2 PLC ± 0.13 [.005] 3 PLC ± - 4 PLC ± - ANGLES ± 0°30'		SIZE: A1	
MATERIAL: SEE TABLE	FINISH: SEE TABLE	WEIGHT: 0.000000	CUSTOMER DRAWING SCALE: 5:1 SHEET: 1 of 1 REV: F4